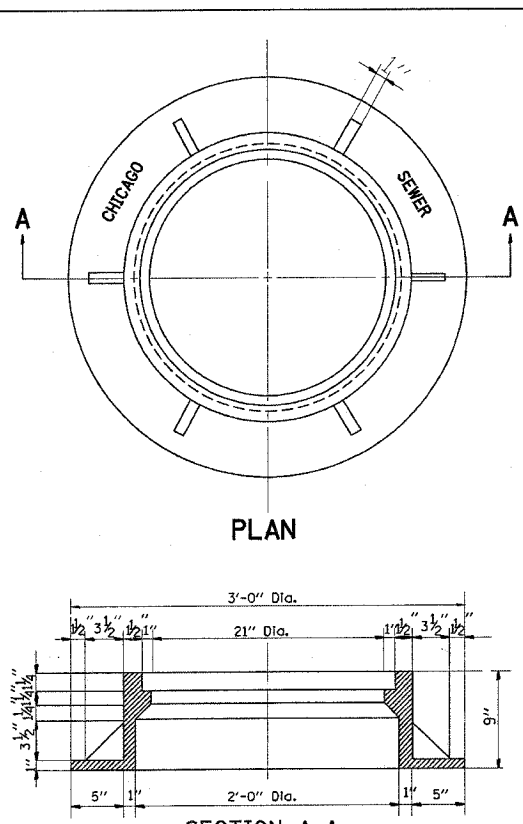
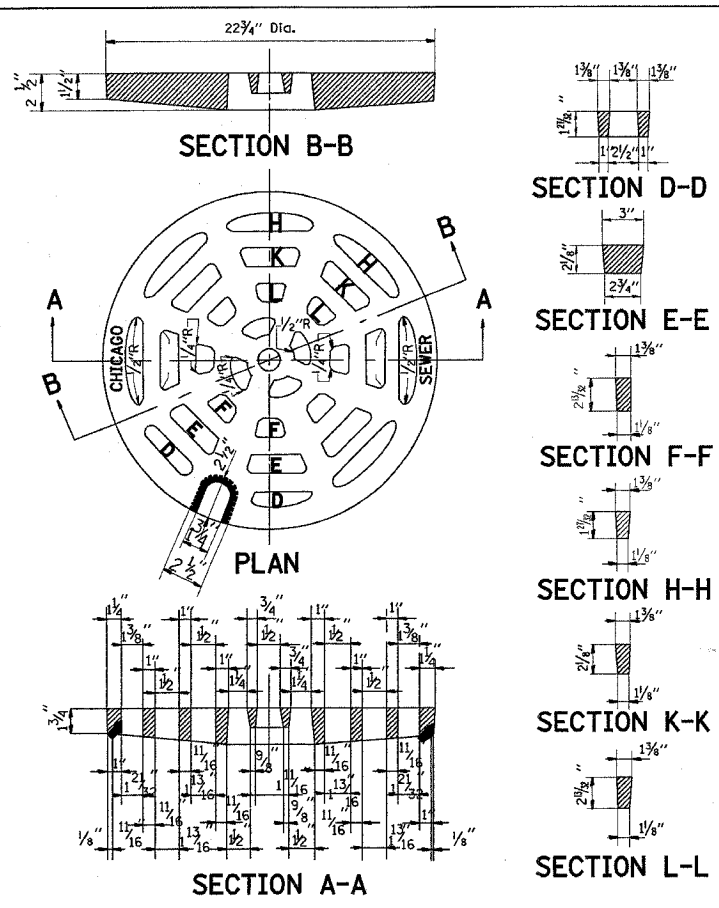


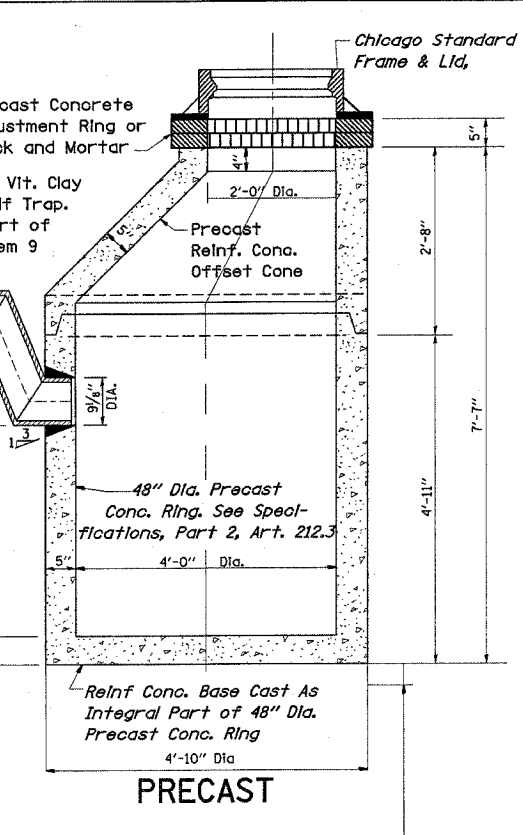
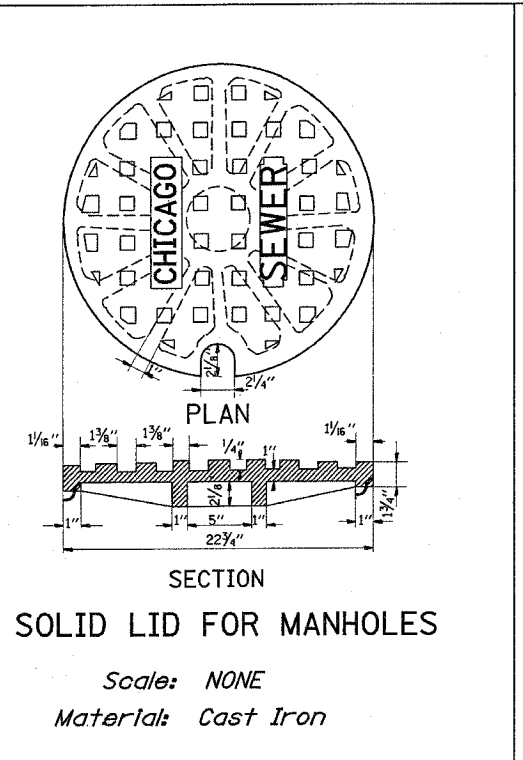
F.A.W. RTE.	SECTION	COUNTY	TOTAL SHEETS	SHEET NO.
* 2000-031R5	Cook		58	48
STA.	TO STA.			
FED. ROAD DIST. NO.	ILLINOIS	FED. AID PROJECT		
* 2766, 1334, 1352				



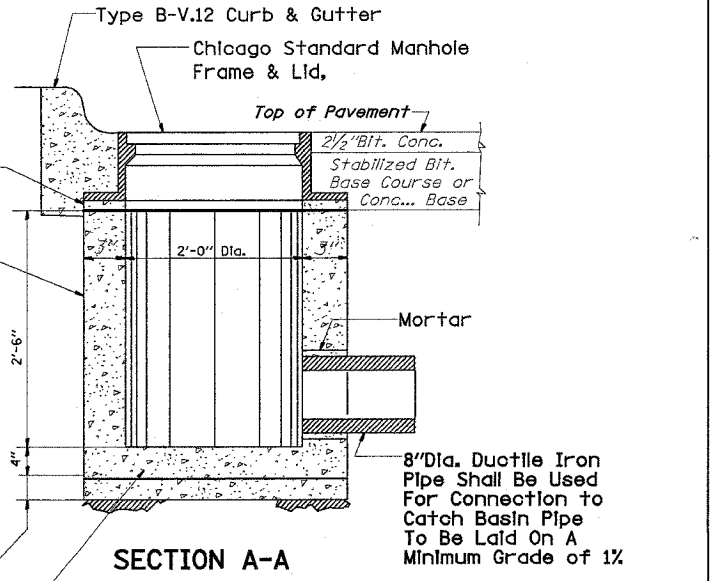
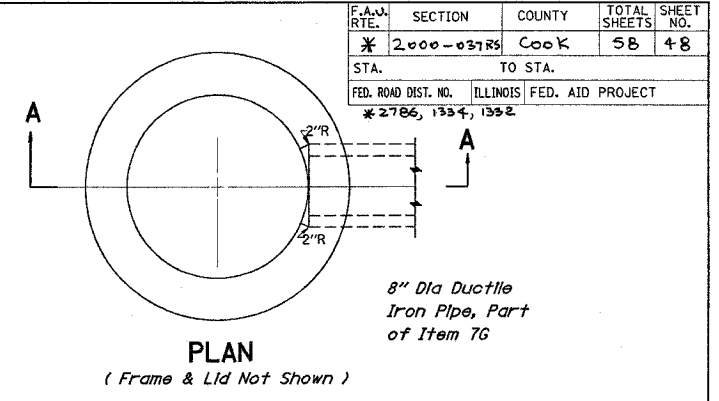
**CHICAGO STANDARD MANHOLE FRAME**  
Scale: 1/2"=1'-0"  
Material: Cast Iron



**PERFORATED LID FOR CATCH BASINS & MANHOLES**  
Scale: 2"=1'-0"  
Material: Cast Iron

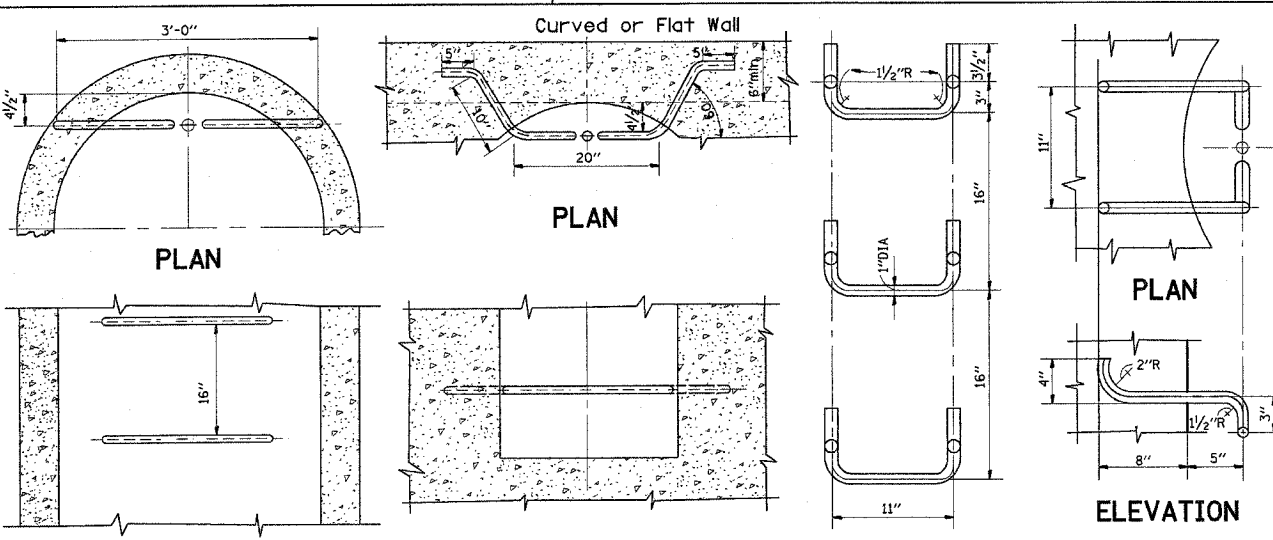


**STANDARD CATCH BASINS**  
Scale: 3/4"=1'-0"  
Item 9



**STANDARD INLETS**  
Scale 1"=1'-0"  
Item 12  
This Inlet Detail Is Sometimes Referred To As "Chicago Standard Inlet, Type A"

**NOTE:**  
INLETS SHALL NOT BE CONSTRUCTED UNLESS IT IS IMPOSSIBLE TO CONSTRUCT A CATCH BASIN. THE CONTRACTOR SHALL HAVE THE DEPARTMENT OF SEWERS APPROVAL BEFORE CONSTRUCTING INLETS



**STANDARD LADDER RUNGS**  
Scale: 1"=1'-0"

**NOTE:**  
All Ladder Rungs Shall Be Aluminum or Galvanized Wrought Iron As Specified in Specifications, Part 2, Article 214.2. Rungs Shall Be 1" Diameter or of A Shape Having An Equivalent Cross-Sectional Area

REVISIONS	
NAME	DATE
M. GOMEZ	01/25/01

CITY OF CHICAGO  
DEPARTMENT OF SEWERS  
ENGINEERING DIVISION

ILLINOIS DEPARTMENT OF TRANSPORTATION  
CITY OF CHICAGO  
CATCH BASIN, INLET AND  
MANHOLE DETAILS

SCALE: VERT. HORIZ.  
DATE 10/26/2005

DRAWN BY  
CHECKED BY  
BD600-13 (BD47)  
REVISION DATE: 01/25/01