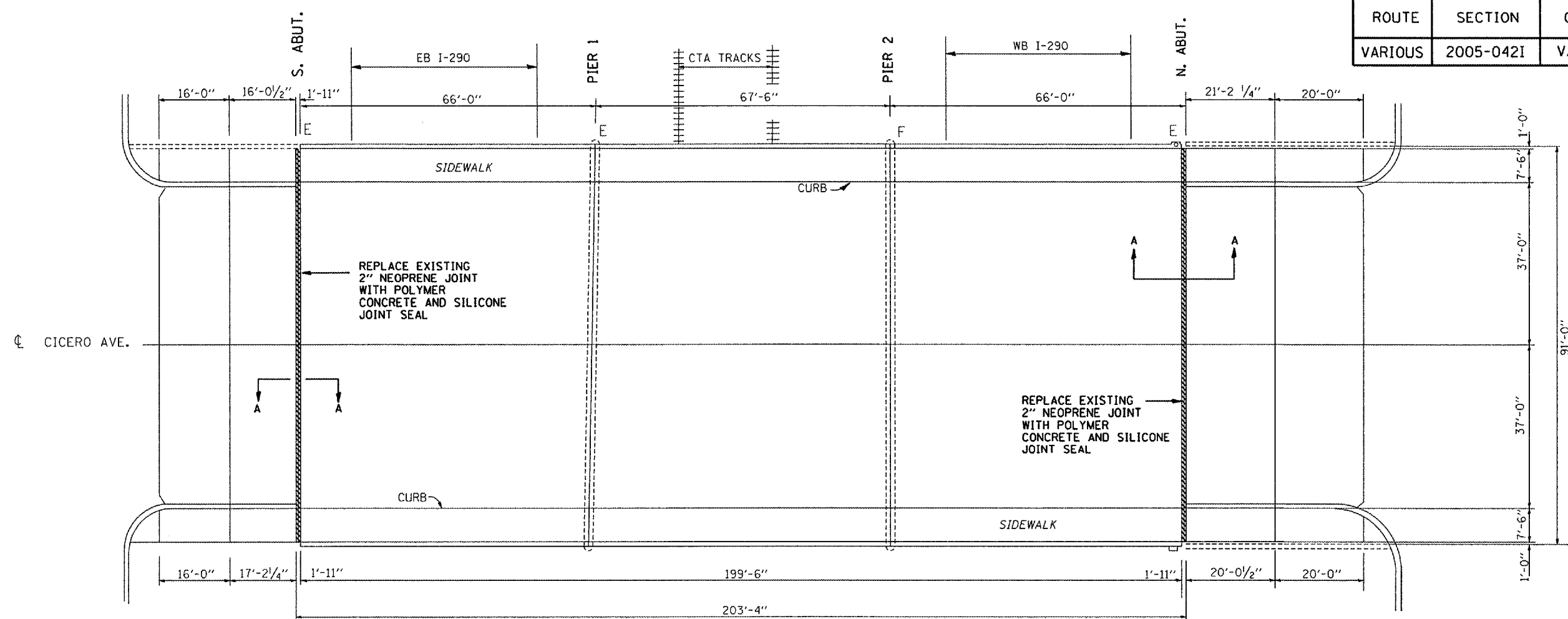
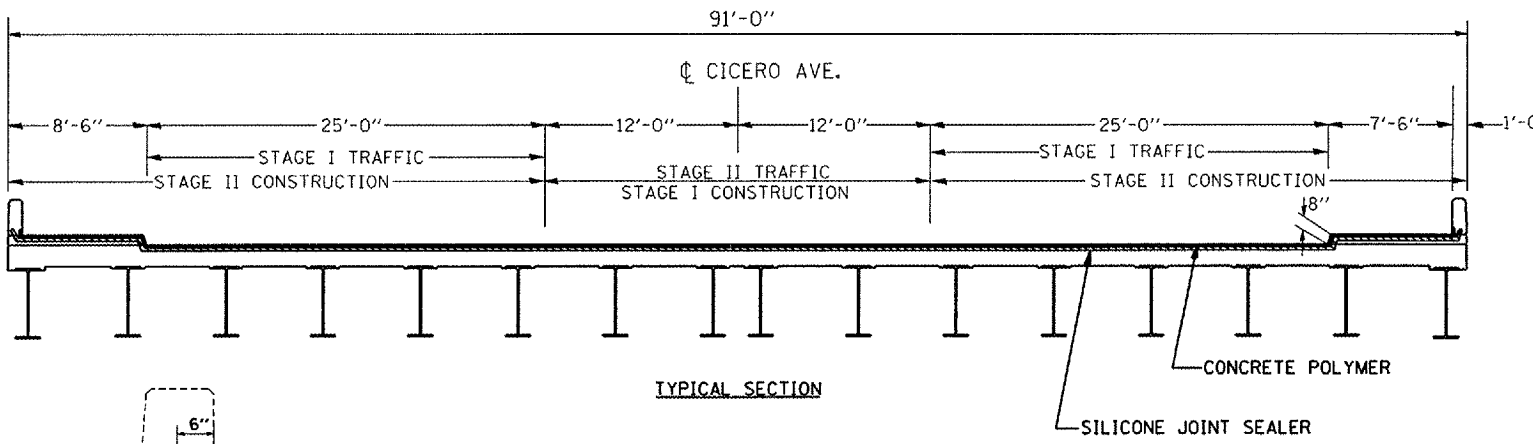


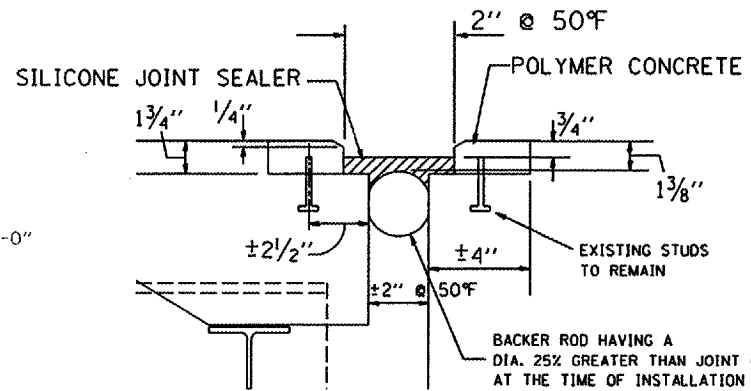
ROUTE	SECTION	COUNTY	TOTAL SHEETS	SHEET NO.
VARIOUS	2005-042I	VARIOUS	12	6



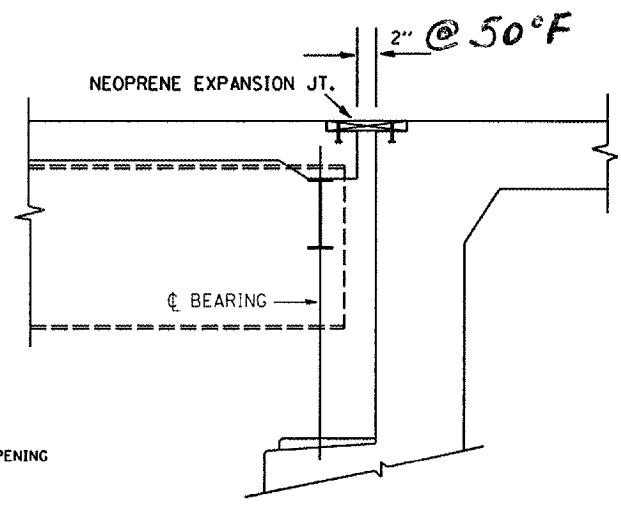
PLAN



TYPICAL SECTION



PROPOSED

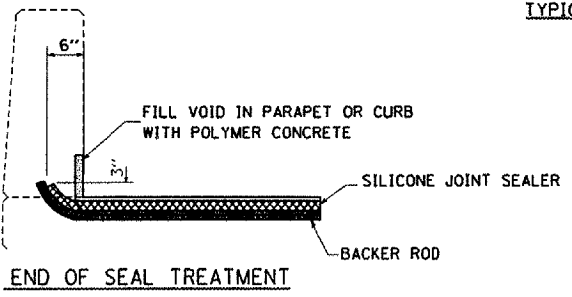


EXISTING

SECTION A-A

BILL OF MATERIAL

PAY ITEMS	UNIT	QUANTITY
SILICONE JOINT SEALER 2"	FOOT	183
POLYMER CONCRETE	CU FT	17.6



END OF SEAL TREATMENT

ILLINOIS DEPARTMENT OF TRANSPORTATION

LOCATION 1
SN 016-0406

SCALE: VERT. HORIZ.
DATE

DRAWN BY
CHECKED BY

PLOT DATE: 3/28/2006
 PLOT SCALE: 1/8" = 1'-0"
 PLOT USER: msh