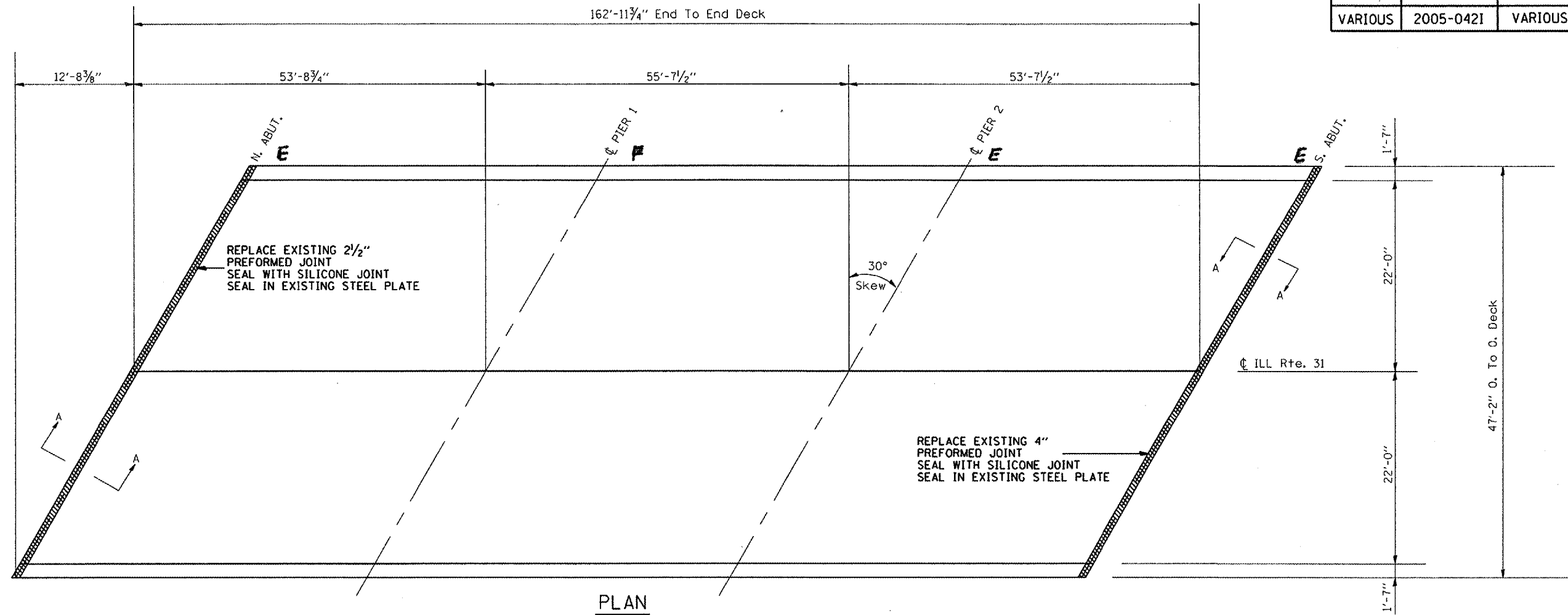
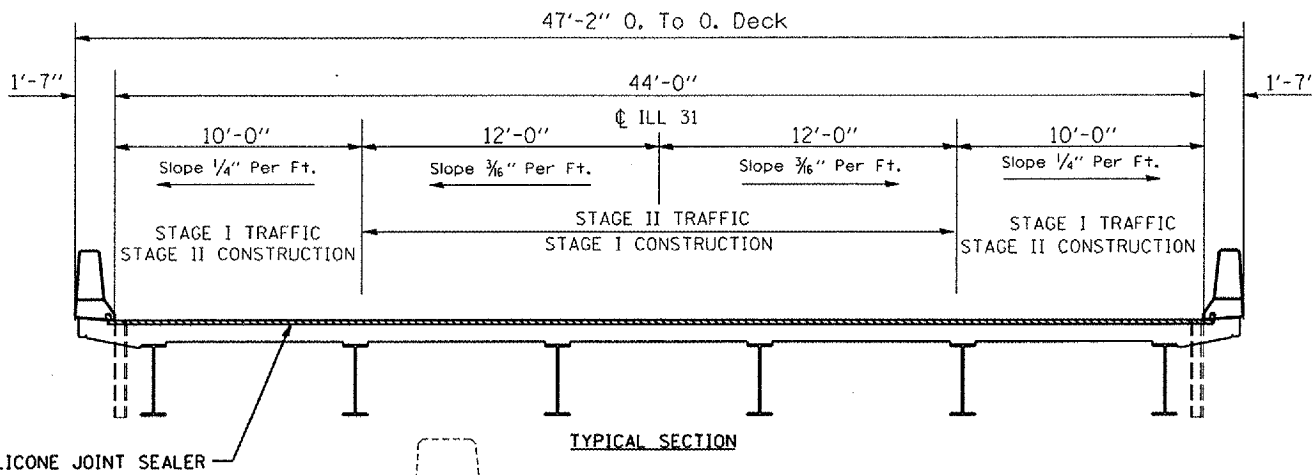


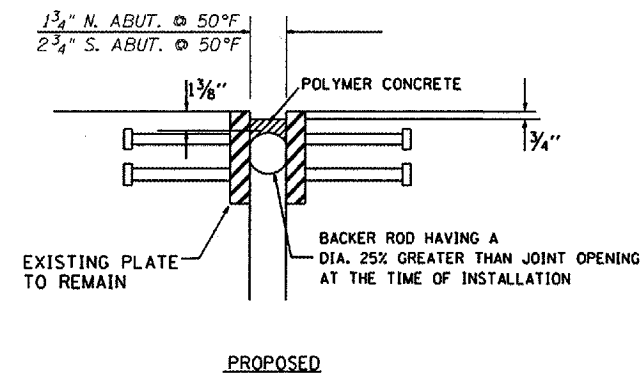
ROUTE	SECTION	COUNTY	TOTAL SHEETS	SHEET NO.
VARIOUS	2005-042I	VARIOUS	12	10



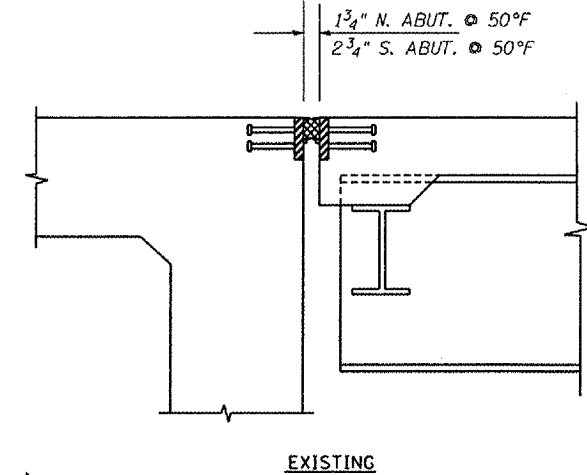
PLAN



TYPICAL SECTION



PROPOSED

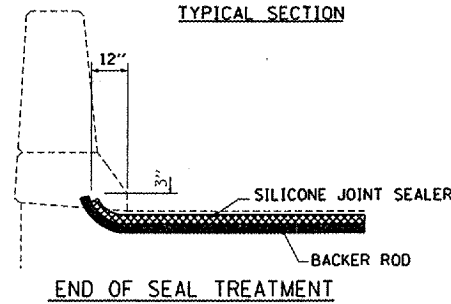


EXISTING

SECTION A-A
(Dim. are @ right 1's)

BILL OF MATERIAL

PAY ITEMS	UNIT	QUANTITY
SILICONE JOINT SEALER 1 3/4"	FOOT	53
SILICONE JOINT SEALER 2 3/4"	FOOT	53



END OF SEAL TREATMENT

PLOT DATE: 3/30/2006
 PLOT SCALE: 1/8" = 1'-0"
 PLOT USER: mduffy

ILLINOIS DEPARTMENT OF TRANSPORTATION

LOCATION 5
 SN: 056-0037

SCALE: VERT. _____
 HORIZ. _____

DATE _____ DRAWN BY _____
 CHECKED BY _____