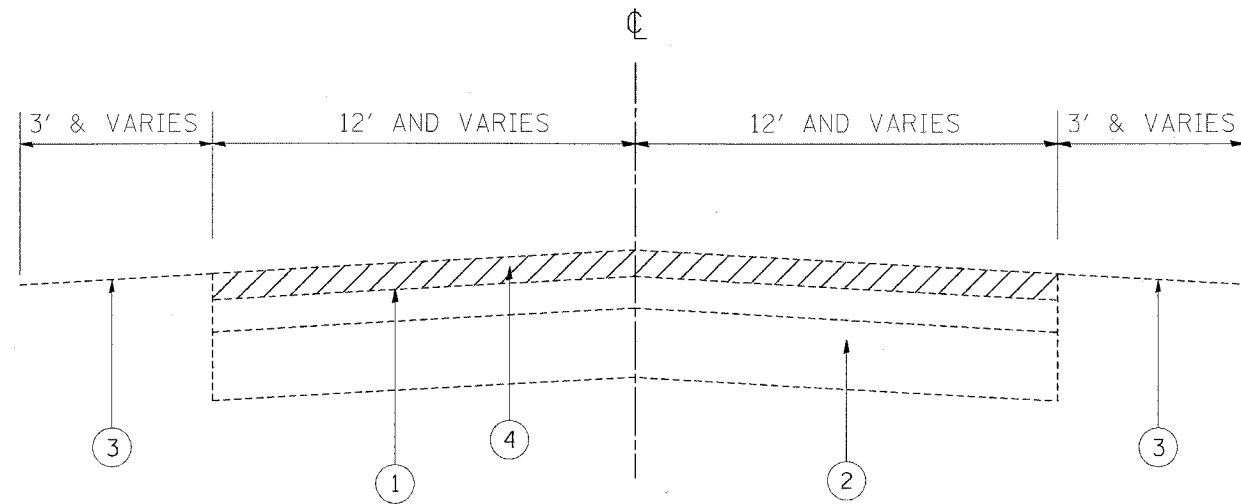
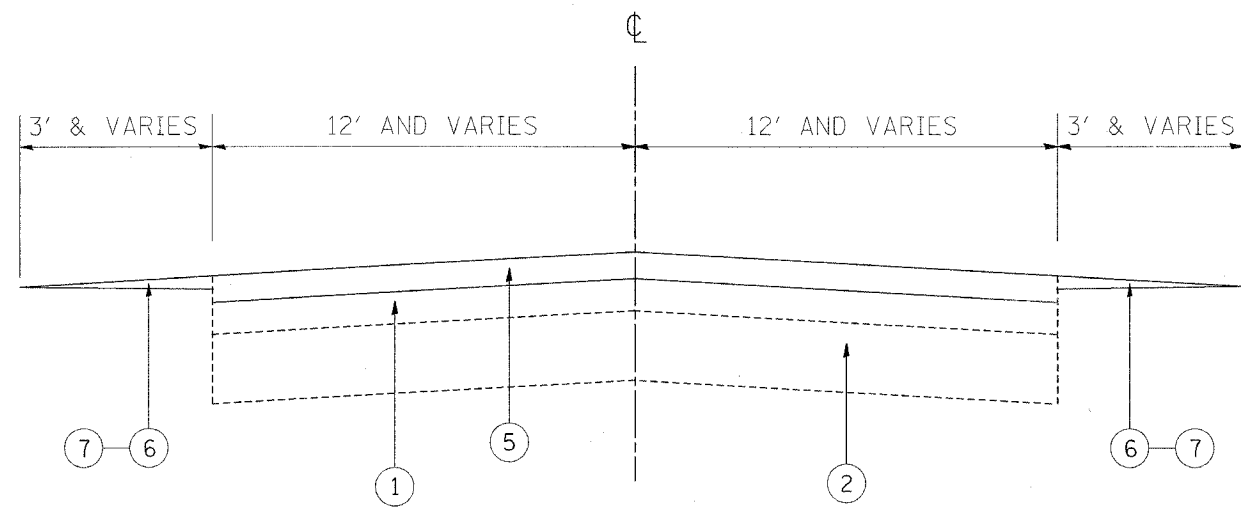


F.A.I. RTE.	SECTION	COUNTY	TOTAL SHEETS	SHEET NO.
55	2006-017 RS	DUPAGE & WILL	17	4
STA. +		TO STA. +		
FED. ROAD DIST. NO. 1		ILLINOIS HIGHWAY PROJECT		



EXISTING TYPICAL SECTION



PROPOSED TYPICAL SECTION

LEGEND

- ① EXISTING BITUMINOUS PAVEMENT, 4" (±)
- ② EXISTING AGGREGATE BASE COURSE, 5" (±)
- ③ EXISTING AGGREGATE SHOULDER
- ④ PROPOSED BITUMINOUS SURFACE REMOVAL, 1 1/2"
- ⑤ PROPOSED HOT IN PLACE RECYCLING (1 1/2"), (SEE SPECIAL PROVISION)
- ⑥ PROPOSED GRADING & SHAPING SHOULDER - *BY OTHERS* (WHERE AS DIRECTED BY THE ENGINEER)
- ⑦ PROPOSED AGGREGATE SHOULDER, TYPE B - *BY OTHERS*

BITUMINOUS MIXTURE REQUIREMENTS

MIXTURE USE	AC/PG	MAX RAP. (%)	AIR VOIDS (%)
CLASS D PATCHES, BINDER, IL-19 MM	PG 64-22	15%	4% @ 70 GYR.

PLOT DATE = 5/4/2006  
 FILE NAME = c:\projects\60b41\133106\design\ee.dgn  
 PLOT SCALE = 3/8" = 1' / IN.  
 REFERENCE = #REF#

REVISIONS		ILLINOIS DEPARTMENT OF TRANSPORTATION
NAME	DATE	
		EXISTING & PROPOSED TYPICAL SECTION

SCALE: VERT. / HORIZ. / DATE 5/4/2006

DRAWN BY / CHECKED BY

Rev