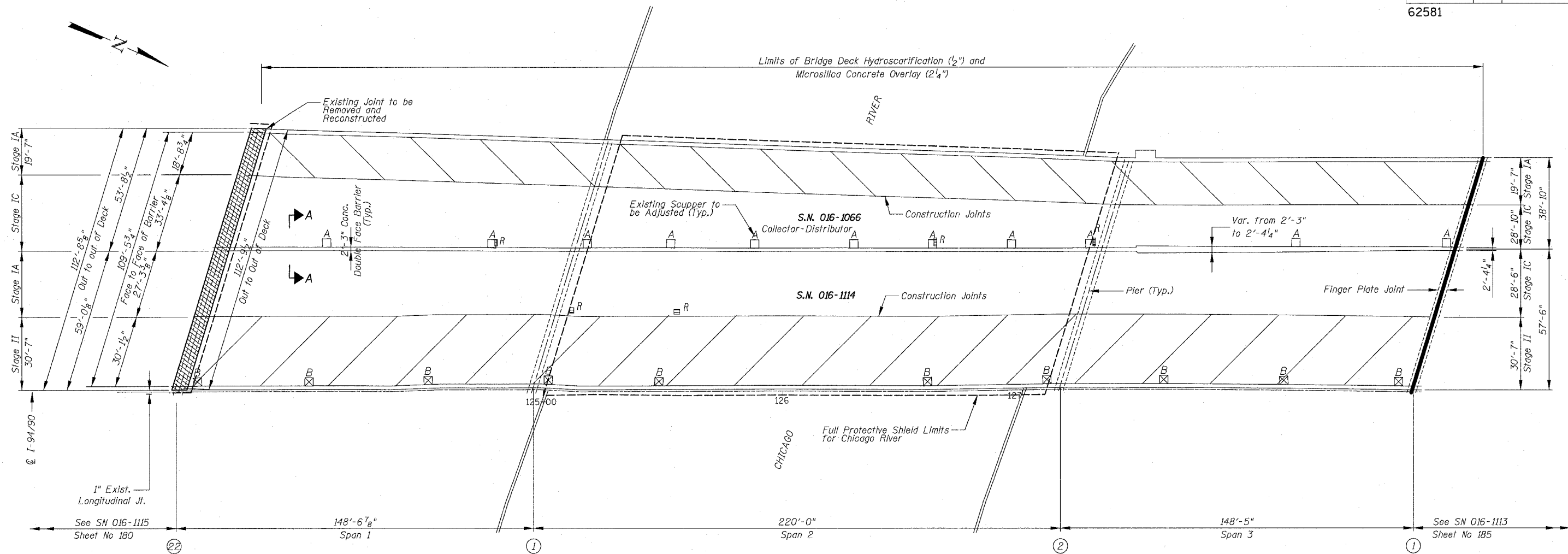
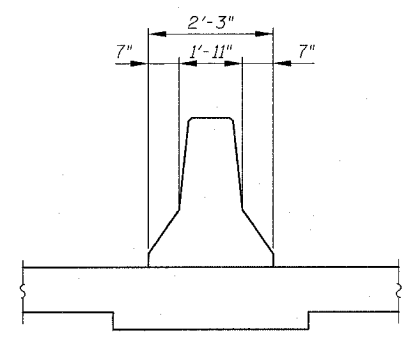


F.A.I.	SECTION	COUNTY	TOTAL SHEETS	SHEET NO.
94/90	2003-0291	COOK	344	184
STA.	TO STA.			
FED. ROAD DIST. NO.	ILLINOIS	FED. AID PROJECT		
62581				



SN 016-1114 & SN 016-1066 PARTIAL DECK PLAN



SECTION A-A

BOWMAN, BARRETT & ASSOCIATES INC.
CONSULTING ENGINEERS
Chicago, Illinois
312.228.0100
www.bbandainc.com

For Notes see sheet 174, for Legend see sheet 159

REVISIONS NAME	DATE

ILLINOIS DEPARTMENT OF TRANSPORTATION
F.A.I. 94/90 (DAN RYAN EXPRESSWAY)
SB DAN RYAN ELEVATED BRIDGE
REPAIR FROM 15TH TO 28TH STREETS
PARTIAL DECK PLAN
SN 016-1114 & SN 016-1066
SCALE: 1"=20'
DATE: 5/25/2006
DRAWN BY: BDC
CHECKED BY: BLU

7:3104 PM
5/25/2006