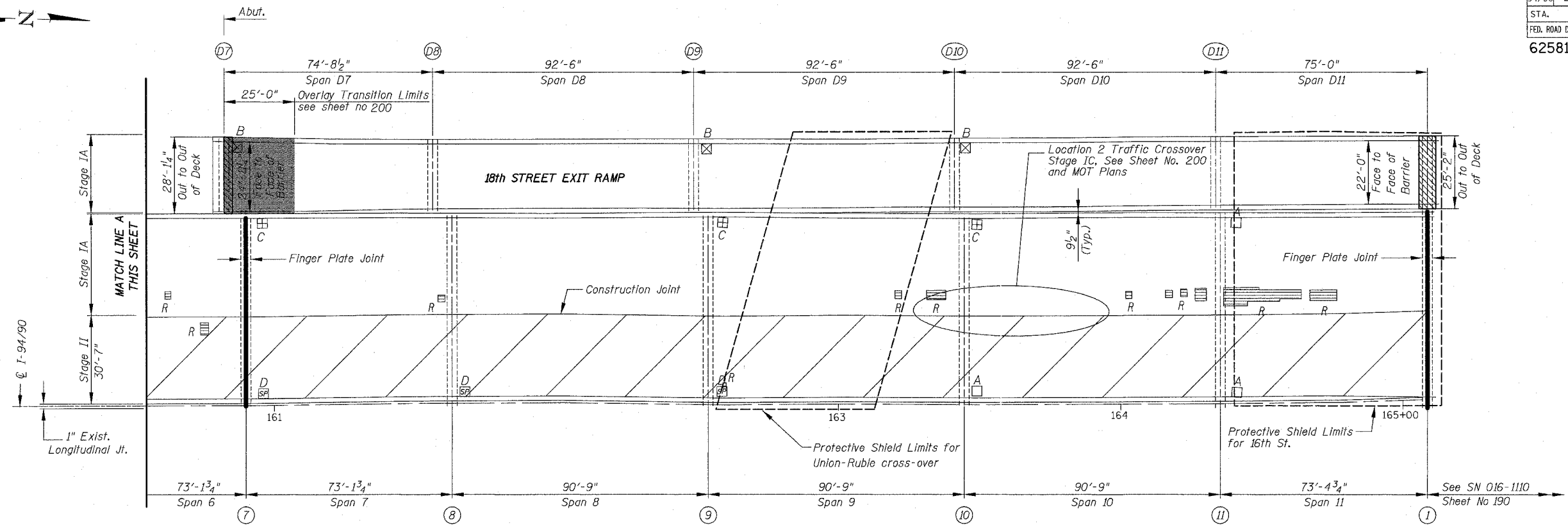
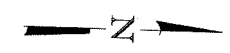
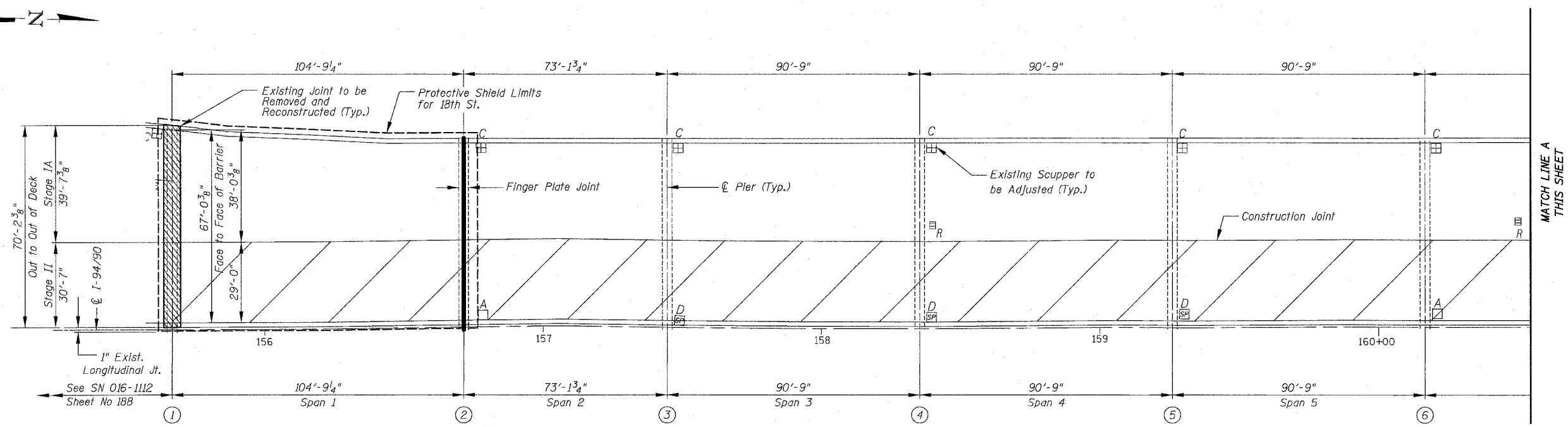
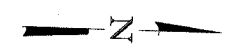


F.A.I.	SECTION	COUNTY	TOTAL SHEETS	SHEET NO.
94/90	2003-0291	COOK	344	189
STA.		TO STA.		
FED. ROAD DIST. NO.		ILLINOIS	FED. AID PROJECT	
62581				



SN 016-1111 PARTIAL DECK PLAN



SN 016-1111 PARTIAL DECK PLAN

BOWMAN, BARRETT & ASSOCIATES INC.
CONSULTING ENGINEERS
Chicago, Illinois
312.228.0100
www.bbainc.com

For Notes see Sheet 174, for Legend see Sheet 159

REVISIONS	
NAME	DATE

ILLINOIS DEPARTMENT OF TRANSPORTATION
F.A.I. 94/90 (DAN RYAN EXPRESSWAY)
SB DAN RYAN ELEVATED BRIDGE
REPAIR FROM 15TH TO 28TH STREETS
PARTIAL DECK PLAN
SN 016-1111

SCALE: 1"=20'
DATE: 5/25/2006

DRAWN BY: BDC
CHECKED BY: BLU

I:\66020\BRIDGE\215\ASSETS\66020-1111-CP101.dwg 5/25/2006 7:34:44 PM