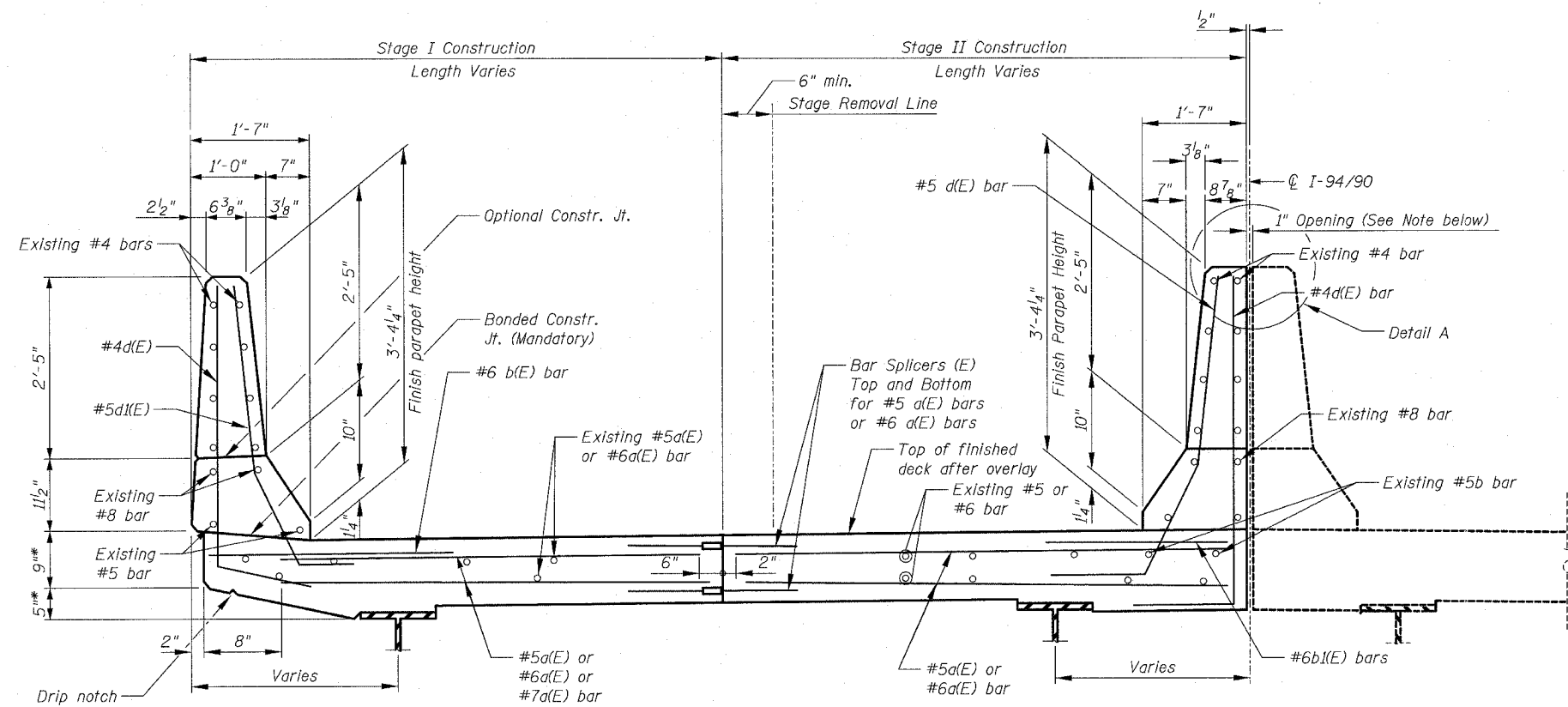


F.A.I.	SECTION	COUNTY	TOTAL SHEETS	SHEET NO.
94/90	2003-0291	COOK	344	201
STA.	TO STA.			
FED. ROAD DIST. NO.	ILLINOIS	FED. AID PROJECT	62581	



TYPICAL CROSS SECTION ALONG JOINT RECONSTRUCTION

Notes:

Existing longitudinal reinforcement in slab and barriers shall be cleaned, straightened and incorporated into new construction.

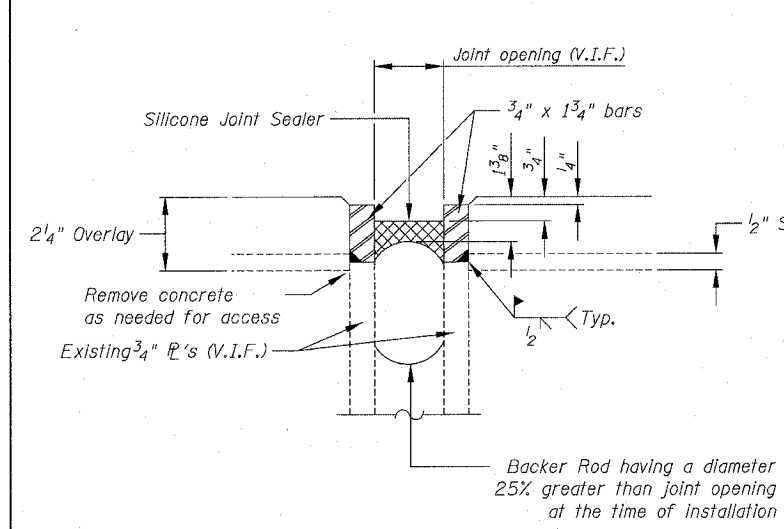
Bend #4 vertical parapet bars in field to clear the top flange of fascia girders as needed.

Remove existing rails, posts, anchors or other attachments as required for the partial removal of barriers for the joint reconstruction. Reinstall removed components as required to restore original condition. Cost included with "Concrete Removal" and "Concrete Superstructure".

Place bars in parapet to maintain 1/2" cl.

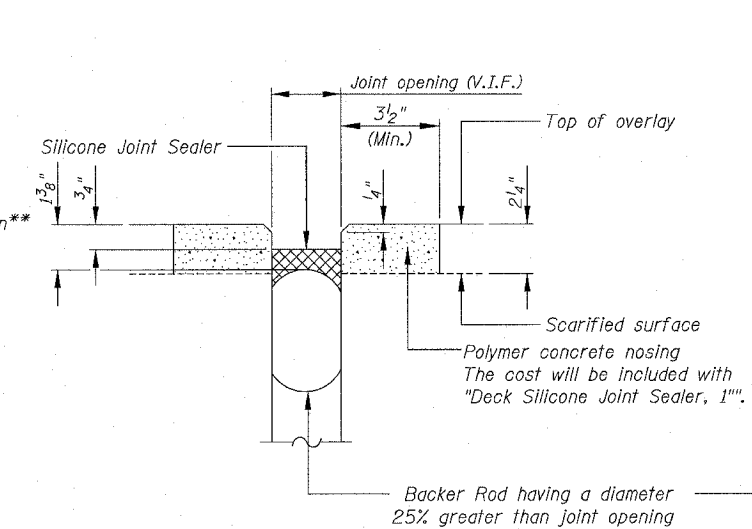
Care should be exercised during concrete removal not to damage existing shear studs.

\* Match Existing

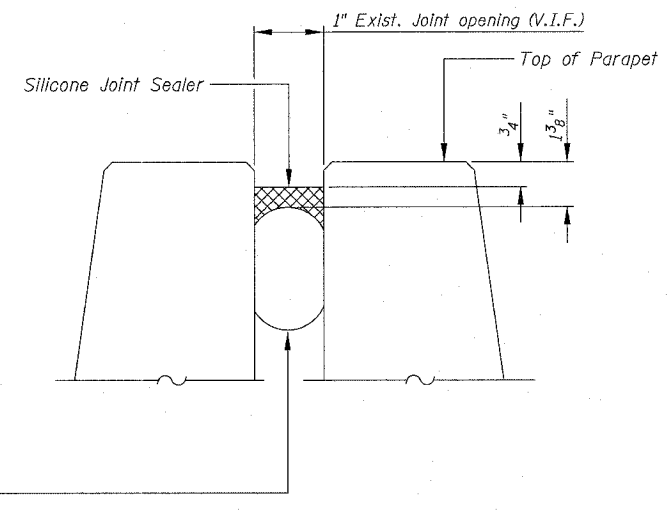


DECK SILICONE JOINT SEALER, 1" DETAIL

\*\*Care shall be taken not to damage existing #s during Hydroscarification.  
V.I.F. = Verify in field  
If existing joint does not have steel plates see alternate Deck Silicone Joint Sealer, 1" Detail.  
Cost of existing joint removal included with "Bridge Deck Hydro-Scarification, 1/2\"/>



ALTERNATE DECK SILICONE JOINT SEALER, 1" DETAIL



SILICONE JOINT SEALER, 1" - PARAPET DETAIL A

Existing longitudinal joint between concrete parapets shall be removed and replaced with Silicone Joint Sealer. The cost of the existing longitudinal joint removal will be included in the cost of "Silicone Joint Sealer, 1\"/>

BILL OF MATERIAL

Item	Unit	Total
Deck Silicone Joint Sealer, 1"	Foot	107
Silicone Joint Sealer, 1"	Foot	10,486

BOWMAN, BARRETT & ASSOCIATES INC.  
CONSULTING ENGINEERS  
Chicago, Illinois  
312.228.0100  
www.bbandainc.com

REVISIONS	
NAME	DATE

ILLINOIS DEPARTMENT OF TRANSPORTATION  
F.A.I. 94/90 (DAN RYAN EXPRESSWAY)  
SB DAN RYAN ELEVATED BRIDGE  
REPAIR FROM 15TH TO 28TH STREETS  
TYPICAL DECK SLAB CROSS SECTIONS  
AND SILICONE JOINT SEALER DETAILS  
SCALE: NTS  
DATE: 5/25/2006  
DRAWN BY: BDC  
CHECKED BY: BLU

5/25/2006 3:50:02 PM