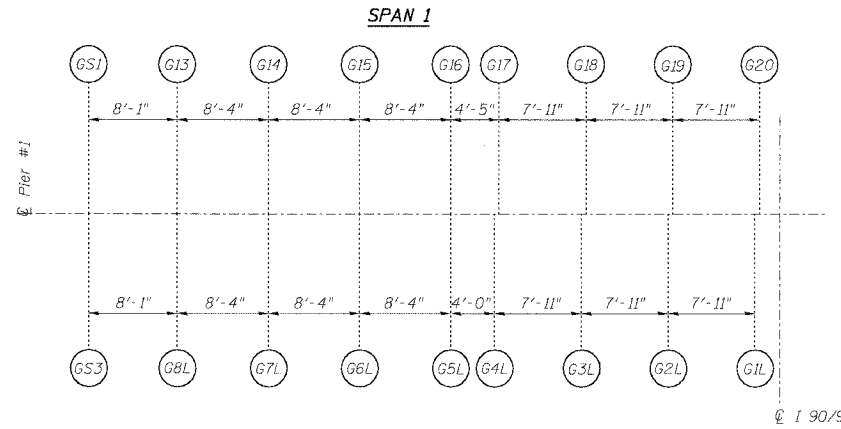


STATE OF ILLINOIS
DEPARTMENT OF TRANSPORTATION

ROUTE NO.	SECTION	COUNTY	TOTAL SHEETS	SHEET NO.
FAI 90/94	*	COOK	344	221
FEDERAL DIST. NO.	ILLINOIS	PROJECT		

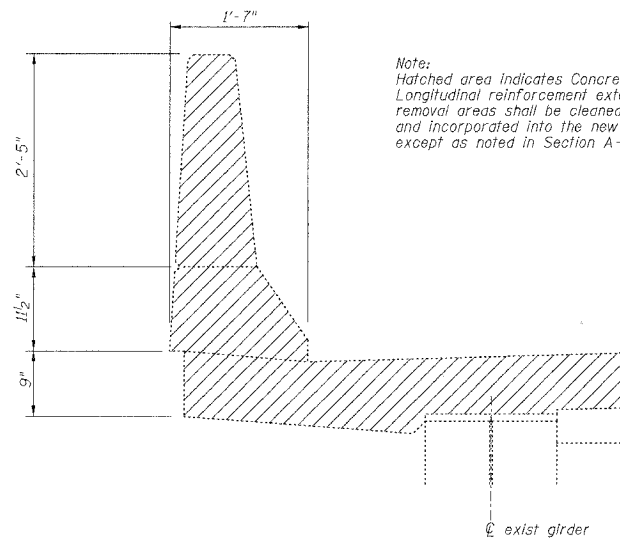
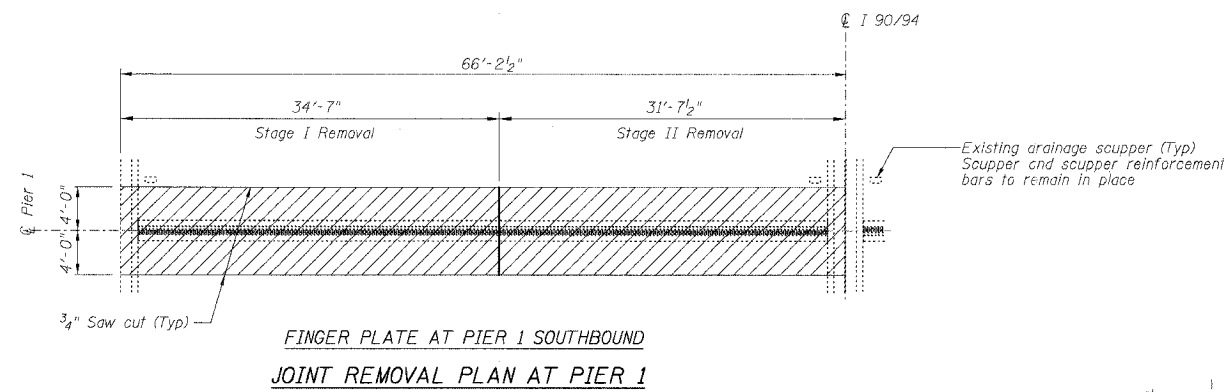
Sheet No 2
of 8 Sheets

2003-0291
CONTRACT #62581



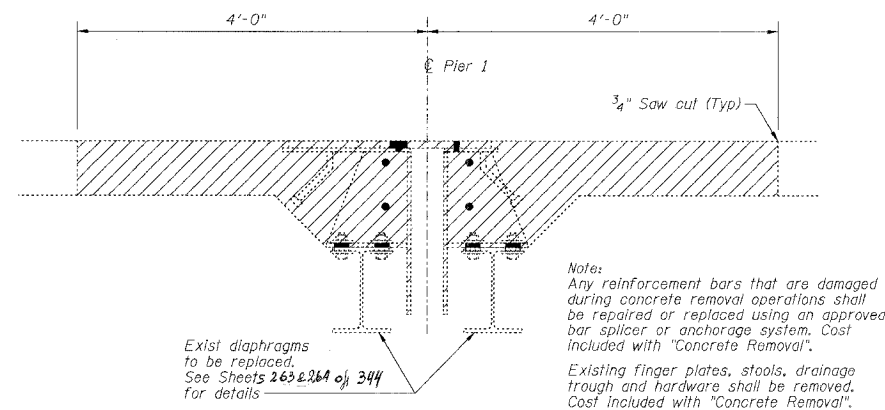
Note:
All dimensions on girder layout
are given along centerline of bearing.

SPAN II
(SN 016-1110)
GIRDER LAYOUT AT PIER 1



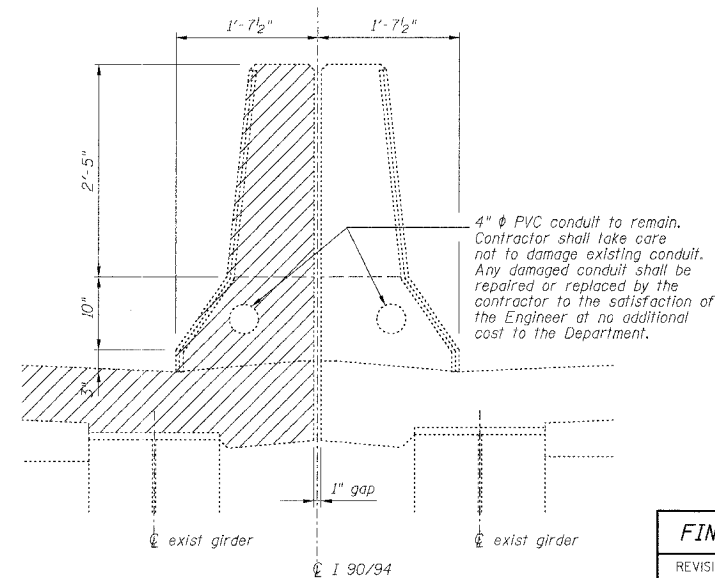
Note:
Hatched area indicates Concrete Removal.
Longitudinal reinforcement extending into
removal areas shall be cleaned, straightened
and incorporated into the new construction
except as noted in Section A-A on Sheet 4

DETAIL AT EXISTING OUTSIDE PARAPET



Note:
Any reinforcement bars that are damaged
during concrete removal operations shall
be repaired or replaced using an approved
bar splicer or anchorage system. Cost
included with "Concrete Removal".
Existing finger plates, stools, drainage
trough and hardware shall be removed.
Cost included with "Concrete Removal".

SECTION AT EXISTING FINGER PLATE AT PIER 1



4" ϕ PVC conduit to remain.
Contractor shall take care
not to damage existing conduit.
Any damaged conduit shall be
repaired or replaced by the
contractor to the satisfaction of
the Engineer at no additional
cost to the Department.

DETAIL AT EXISTING MEDIAN PARAPET

PIER NO. 1		FINGER PLATE EXPANSION JOINT REMOVAL DETAILS	
REVISIONS	STATE OF ILLINOIS DEPARTMENT OF TRANSPORTATION DIVISION OF HIGHWAYS	DRAWN BY DATE RLK 5/03	CHECKED BY DATE SDS 5/03
1	FAI RTE 90/94 SB DAN RYAN EXPRESSWAY	PROJECT No.	4222-3
2	SN 016-1110 (SOUTHBOUND)	COOK COUNTY	SHEET No.
3	SEC 2003-0291		
4			
5			
6			
7			
8			
9			
0			

HOMER L.
CHASTAIN & ASSOCIATES
CONSULTING ENGINEERS
800 W. BRYN MAWR AVENUE
SUITE 204
CHICAGO, ILLINOIS 60614
312-714-0050
FAX 312-714-0058