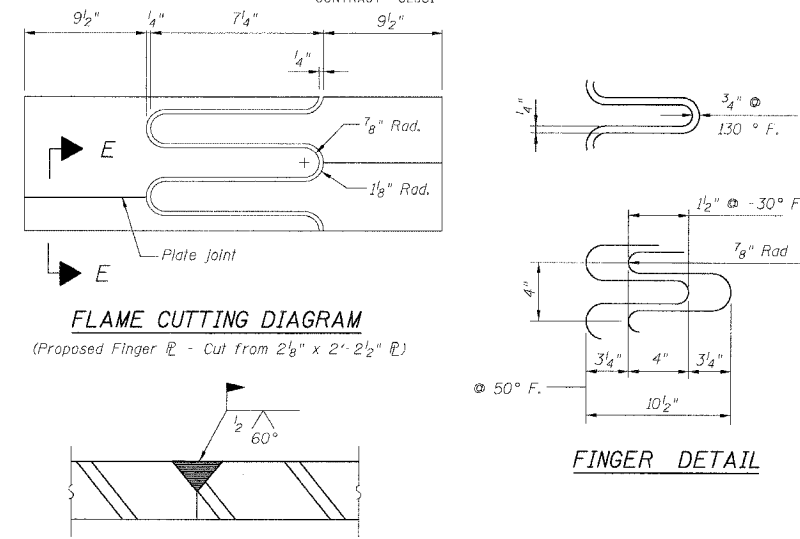
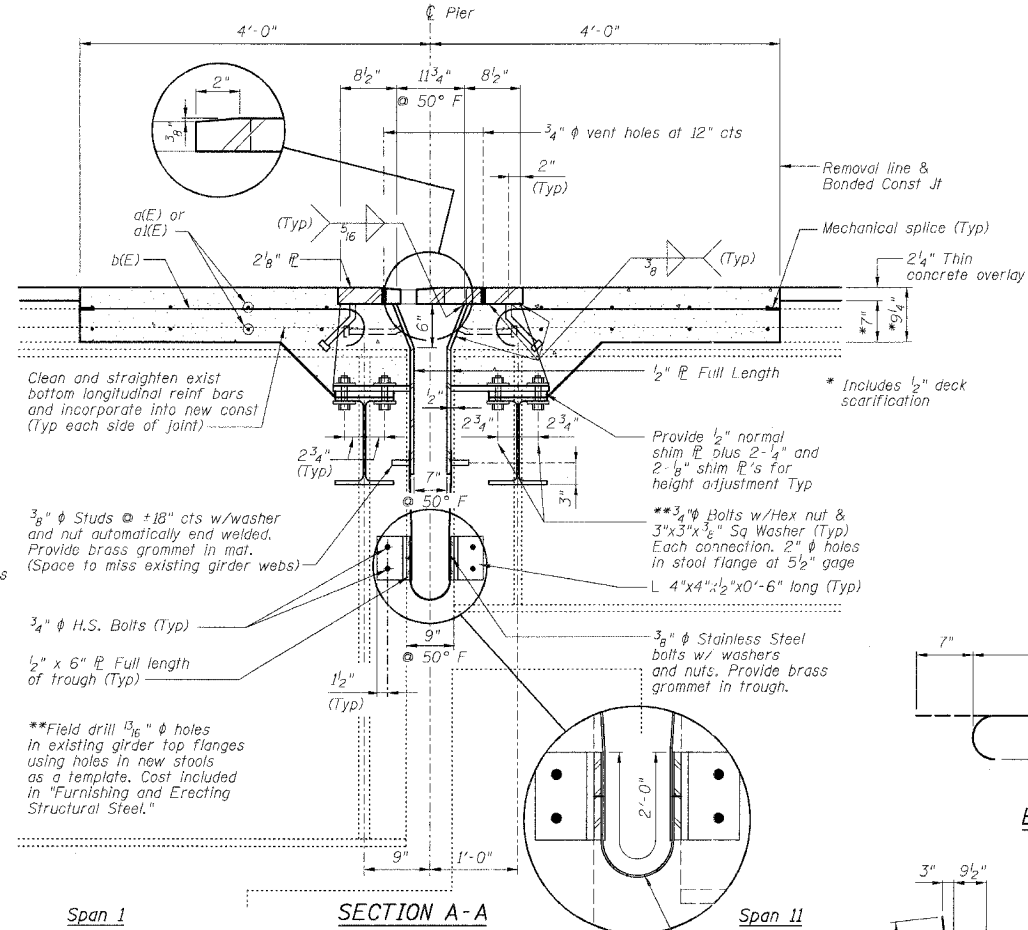
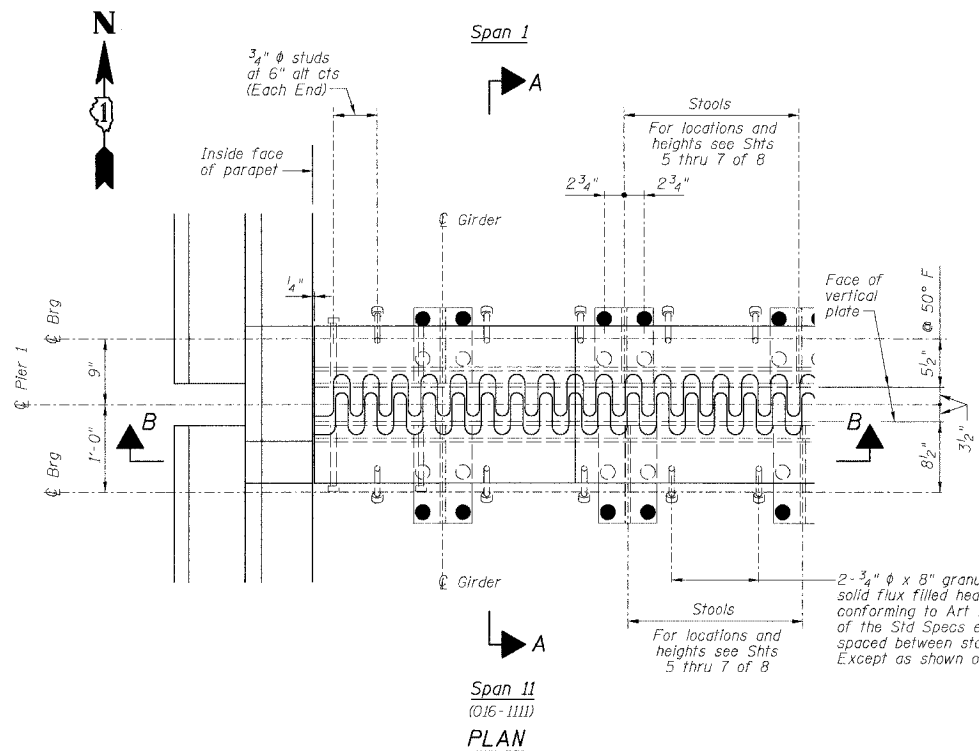


STATE OF ILLINOIS
DEPARTMENT OF TRANSPORTATION

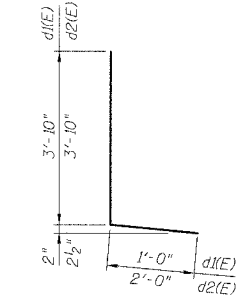
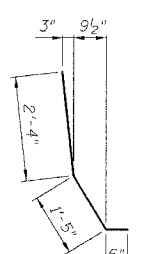
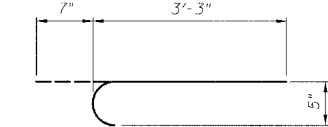
ROUTE NO.	SECTION	COUNTY	TOTAL SHEETS	SHEET NO.
FAI 90/94		COOK	344	223
FED. ROAD DIST. NO.	ILLINOIS	PROJECT		

Sheet No 4
of 8 Sheets

2003-029
CONTRACT #62581



SECTION E-E



BILL OF MATERIAL

Bar	No.	Size	Length	Shape	
a(E)	24	#5	33'-7"	—	
a1(E)	24	#5	31'-10"	—	
a2(E)	16	#6	4'-6"	—	
b(E)	130	#5	3'-10"	⌒	
d(E)	16	#5	4'-3"	⌒	
d1(E)	8	#5	4'-10"	⌒	
d2(E)	8	#5	5'-10"	⌒	
Reinforcement Bars, Epoxy Coated				Pound	2430
Concrete Removal				Cu Yd	17.3
Concrete Superstructure				Cu Yd	19.1
Mechanical Splice				Each	130
Bar Splicers				Each	24

Reinforcing bars designated (E) shall be epoxy coated.

NOTES

- The Contractor shall bolt the Stools of the Fingerplate Joint Assembly to the top of New End diaphragms and to the top of the existing girders, as shown in Section A-A of this drawing.
- Stainless steel bolts, washers and nuts shall meet the requirements of ASTM A193.
- The furnishing and installation of all necessary hardware, stainless steel bolts, studs and washers, plates and angles shall be included with "Furnishing and Erecting Structural Steel".
- Expansion Length = 403.6'

PIER NO. 1

REVISIONS		STATE OF ILLINOIS DEPARTMENT OF TRANSPORTATION DIVISION OF HIGHWAYS		DRAWN BY DATE RLK 5/03	
1		FAI RTE 90/94 SB	DAN RYAN EXPRESSWAY	CHECKED BY DATE SDS 5/03	BOOK NUMBER
2		SN 016-1110 (SOUTHBOUND)			
3		SEC 2003-029	COOK COUNTY	PROJECT NO.	4222-3
4				SHEET NO.	

CHASTAIN & ASSOCIATES
CONSULTING ENGINEERS
8609 W. BRYN MAWR AVENUE
SUITE 304
CHICAGO, ILLINOIS 60618
312-716-0000
FAX 312-716-0058

