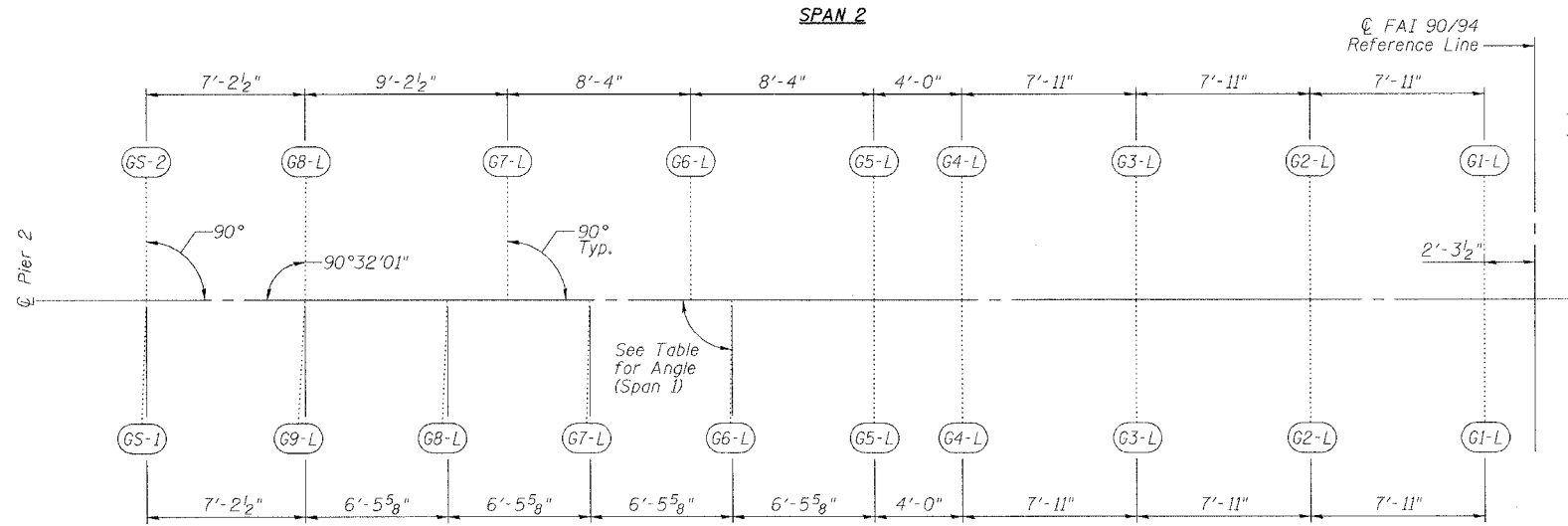


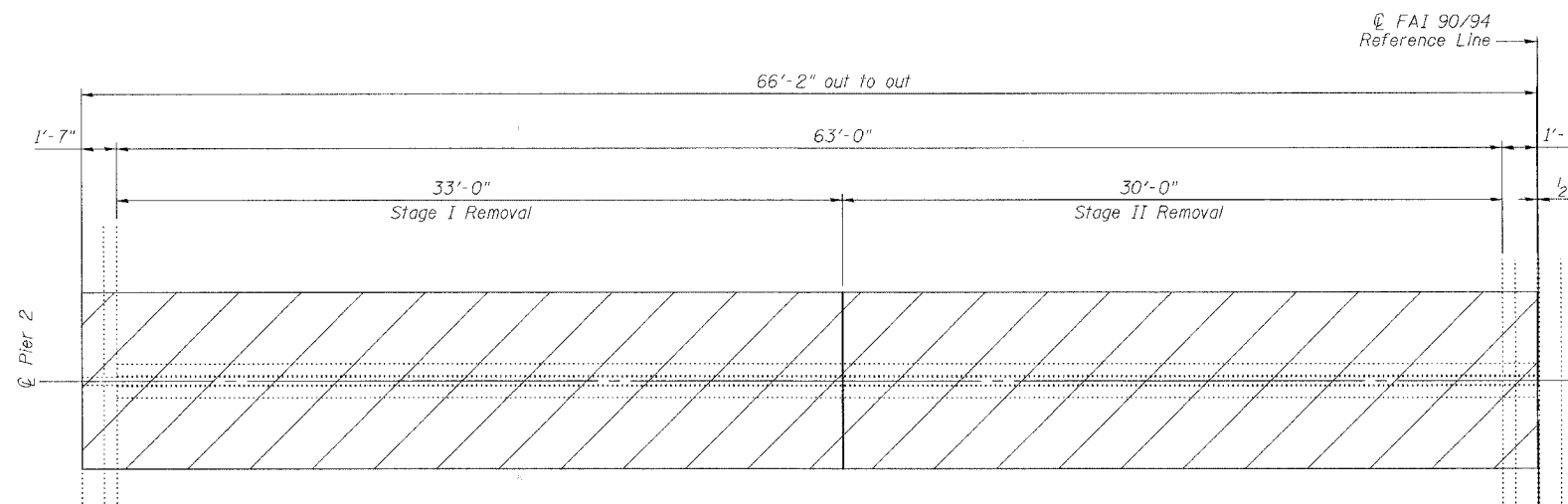
STATE OF ILLINOIS  
DEPARTMENT OF TRANSPORTATION

ROUTE NO.	SECTION	COUNTY	TOTAL SHEETS	SHEET NO.	SHEET NO. 2 8 SHEETS
FAI 90/94	*	COOK	344	237	
FED. ROAD DIST. NO.	ILLINOIS	FED. AID PROJECT			
* 2003-0291 Contract #62581					

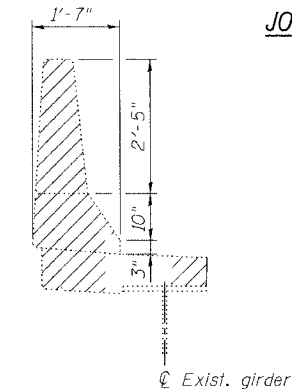
Girder	Angle
G1-L	90°00'00"
G2-L	90°00'00"
G3-L	90°00'00"
G4-L	90°00'00"
G5-L	90°00'00"
G6-L	89°10'18"
G7-L	88°20'36"
G8-L	87°30'58"
G9-L	86°41'23"
GS-1	87°44'23"



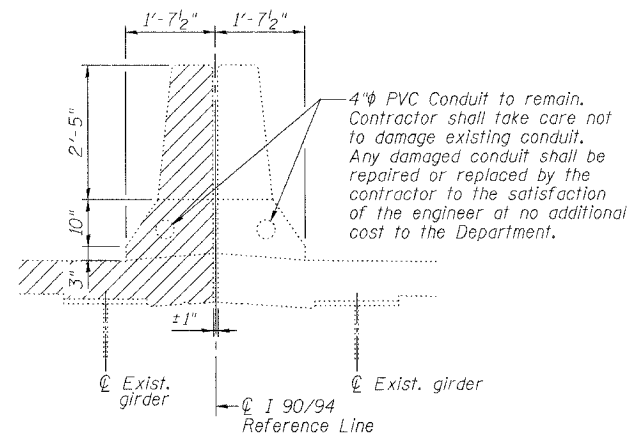
**GIRDER LAYOUT AT PIER 2**



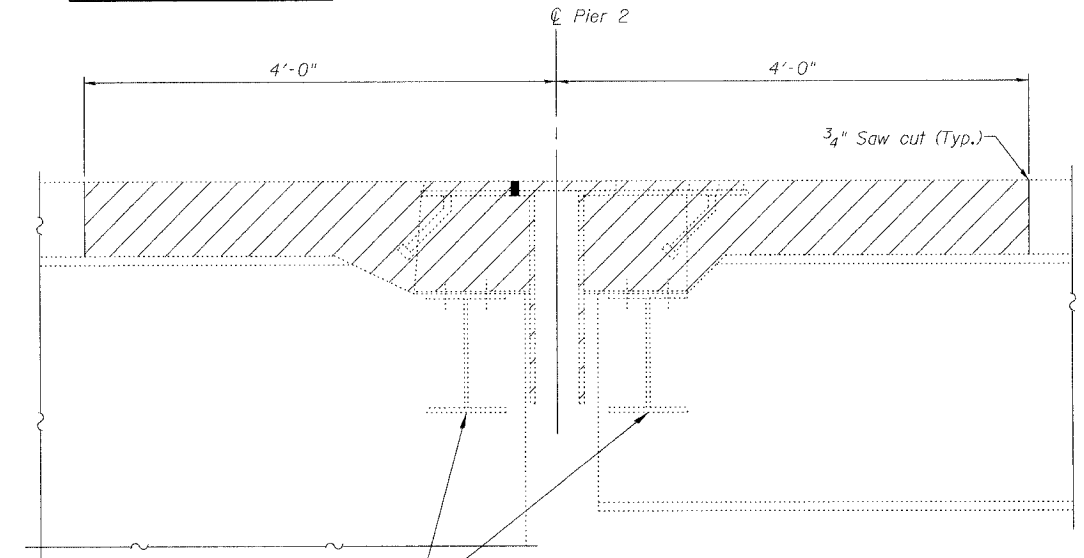
**JOINT REMOVAL PLAN AT PIER 2**



**DETAIL AT EXISTING OUTSIDE PARAPET**



**DETAIL AT EXISTING FAI 90/94 MEDIAN PARAPET**



Existing diaphragms to be replaced. See Sheets 267 & 268 of 344 for details.

Note: Any reinforcement bars that are damaged during concrete removal operations shall be repaired or replaced using an approved bar splicer or anchorage system. Cost included with "Concrete Removal".

Existing finger plates, stools, drainage trough and hardware shall be removed. Cost included with "Concrete Removal".

**SECTION AT EXISTING FINGER PLATE**

Notes:  
Hatched Area indicates "Concrete Removal".  
Longitudinal reinforcement extending into removal areas shall be cleaned, straightened and incorporated into the new construction except as noted on Section A-A on Sheet 5.

REVISIONS	
NAME	DATE

**ILLINOIS DEPARTMENT OF TRANSPORTATION**  
**FINGER PLATE EXPANSION JOINT REMOVAL DETAILS**  
F.A.I. ROUTE 90/94 SOUTHBOUND (DAN RYAN EXPRESSWAY)  
16TH STREET TO 18TH STREET  
COOK COUNTY  
S.N. 016-1111 - PIER 2

SCALE: VERT. \_\_\_\_\_  
HORIZ. \_\_\_\_\_  
DATE: 7/19/05

DRAWN BY: LANDREY  
DESIGNED BY: SANFORD  
CHECKED BY: MATHUR

**GREENE & BRADFORD, INC.**  
CONSULTING ENGINEERS  
1615 W. 11TH STREET, SUITE 200  
CHICAGO, ILLINOIS 60604  
TEL: 312.467.1111 FAX: 312.467.1112

COMPUTER FILE NO.  
04286-W05-SB-REM  
PROJECT 04286-W05  
5/16/06-MML

FILE NAME = J:\04286-W05\DRAWINGS\Southbound\04286-W05-SB-REM.dgn  
PLOT SCALE = 400.0000  
PLOT TIME = 3:08:27 PM  
OPERATOR = michellel