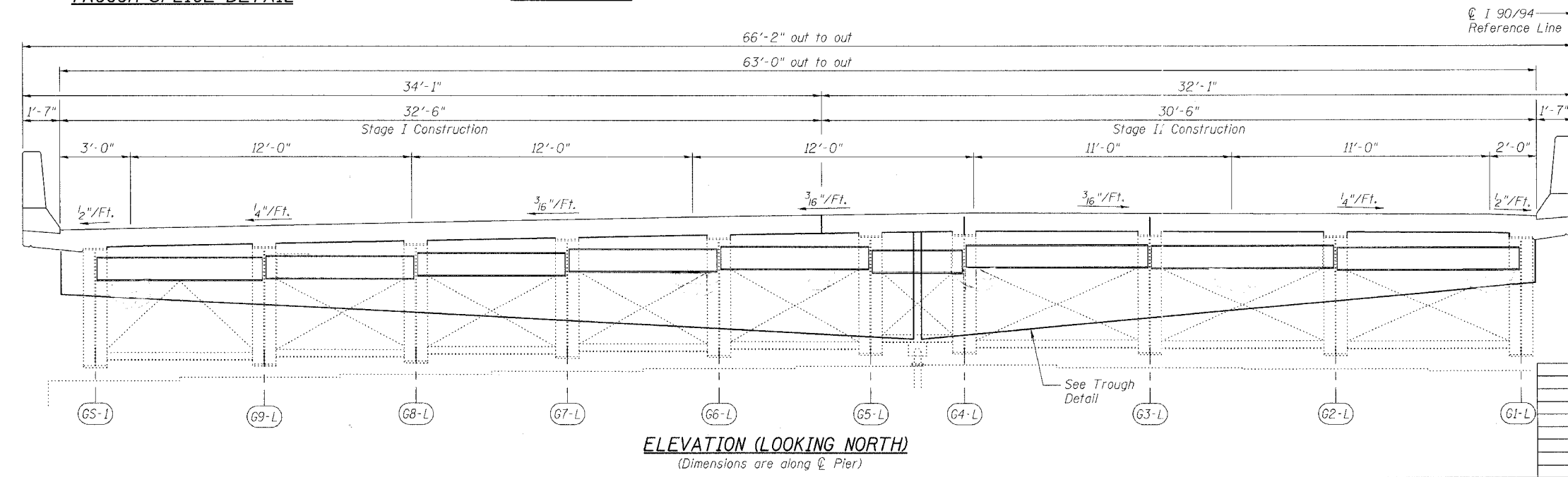
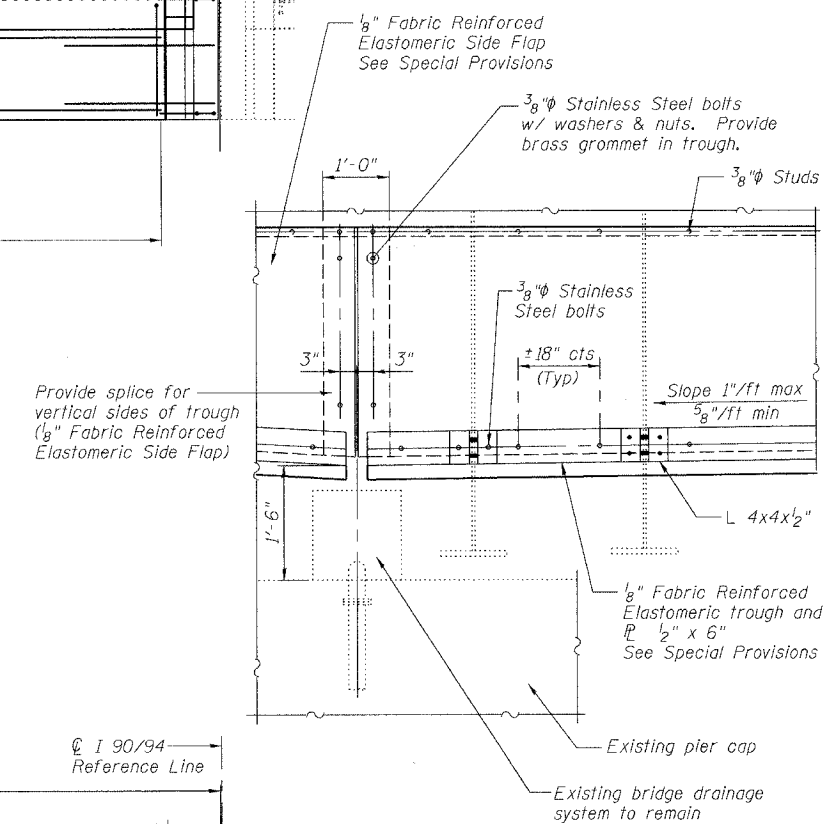
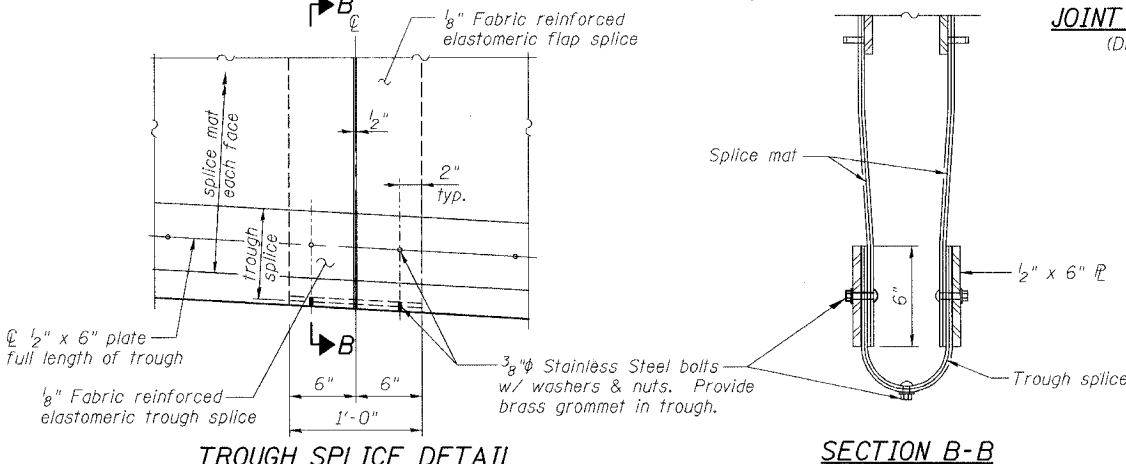
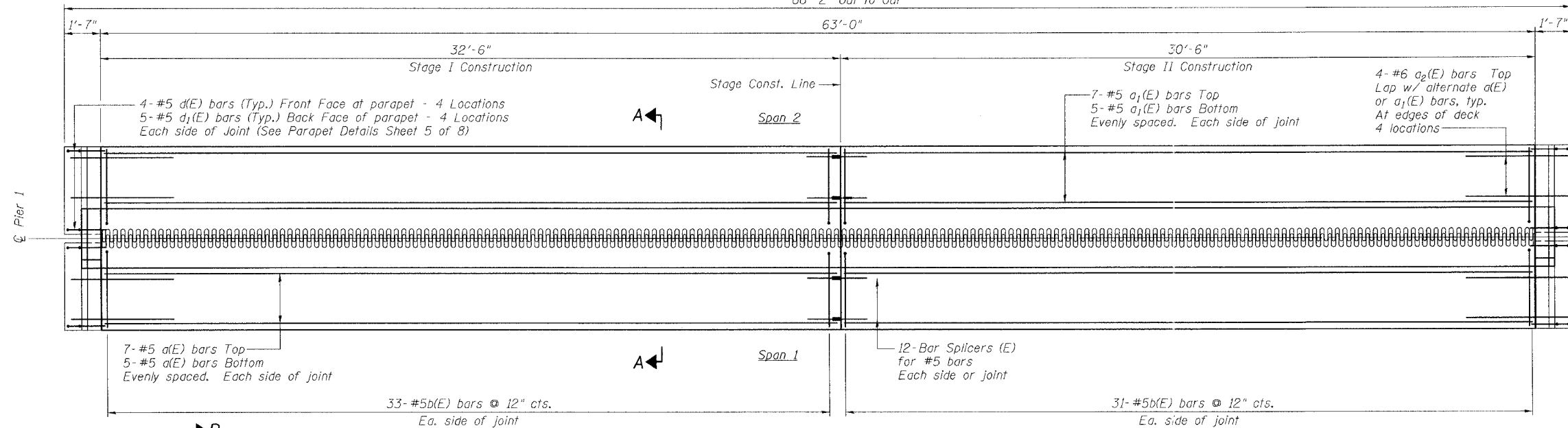


STATE OF ILLINOIS
DEPARTMENT OF TRANSPORTATION
66'-2" Out to Out

ROUTE NO.	SECTION	COUNTY	TOTAL SHEETS	SHEET NO.	SHEET NO. 3 8 SHEETS
FAI 90/94	*	COOK	344	236	
FED. ROAD DIST. NO.		ILLINOIS	FED. AID PROJECT		
2003-0290		Contract #62581			



- Notes:
1. For Parapet Details and Superstructure Bill of Material, see Sheet 5 of 8.
 2. For Section A-A, see Sheet 4 of 8.

REVISIONS	
NAME	DATE

ILLINOIS DEPARTMENT OF TRANSPORTATION
PIER 2 JOINT DETAILS
F.A.I. ROUTE 90/94 SOUTHBOUND (DAN RYAN EXPRESSWAY)
16TH STREET TO 18TH STREET
COOK COUNTY
S.N. 016-1111 - PIER 2

SCALE: VERT. 1"=4'-0"
HORIZ. 1"=40'-0"
DATE: 7/19/05

DESIGNED BY: LANDREY
CHECKED BY: MATHUR

GREENE & BRADFORD, INC.
OF SPRINGFIELD
CONSULTING ENGINEERS
PROFESSIONAL ENGINEERS
PROFESSIONAL DESIGNERS
PROFESSIONAL SURVEYORS
PROFESSIONAL LAND SURVEYORS
PROFESSIONAL ARCHITECTS
PROFESSIONAL INTERIORS DESIGNERS
PROFESSIONAL PLANNERS

COMPUTER FILE NO.
04286-W05-SB-PJ1
PROJECT 04286-W05
5/16/06-MML

FILE NAME = J:\04286\W05\DRAWINGS\Southbound\04286-W05-SB-PJ1.dgn
PLOT SCALE = 2"=40'-0"
PLOT TIME = 3:08:25 PM
OPERATOR = michelie