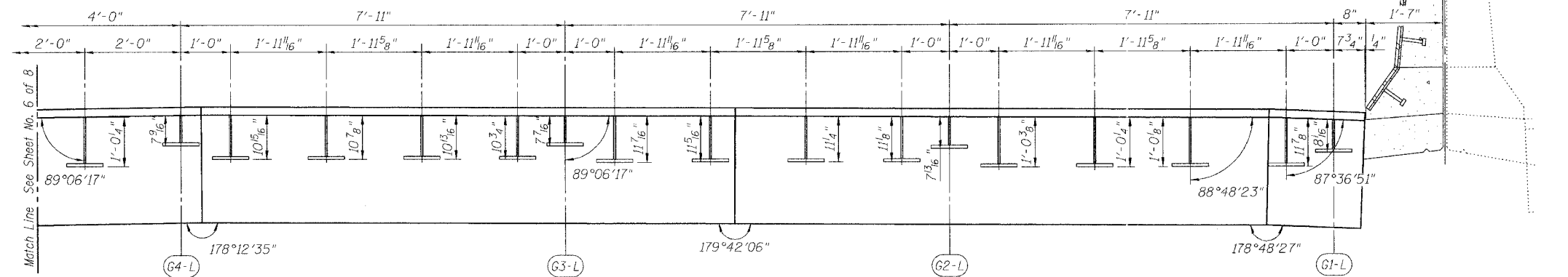
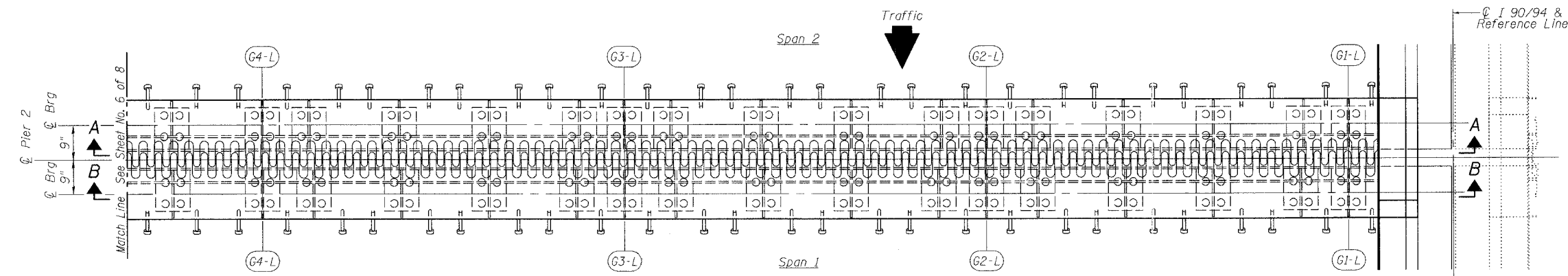


STATE OF ILLINOIS  
DEPARTMENT OF TRANSPORTATION

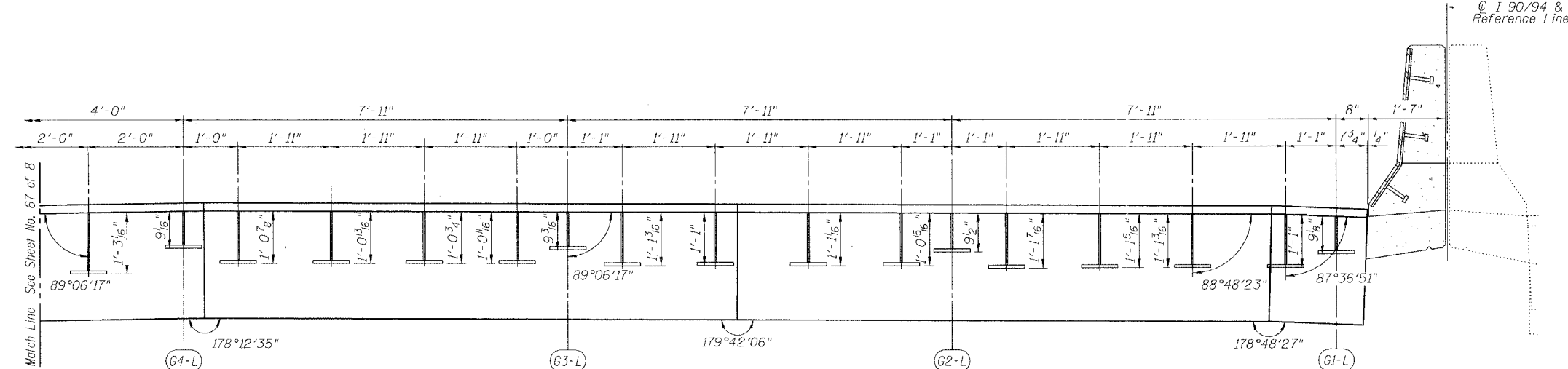
ROUTE NO. FAI 90/94	SECTION *	COUNTY COOK	SHEET NO. 344	SHEET 242	SHEET NO. 7 8 SHEETS
FED. ROAD DIST. NO. * 2003-029, I Contract #62581		ILLINOIS	FED. AID PROJECT		



SECTION A-A  
(Dimensions are along  $\bar{C}$  Pier)



PLAN OF FINGER PLATE AT PIER 2



SECTION B-B  
(Dimensions are along  $\bar{C}$  Pier)

REVISIONS	
NAME	DATE

ILLINOIS DEPARTMENT OF TRANSPORTATION  
**FINGER PLATE PLAN AND ELEVATION**

F.A.I. ROUTE 90/94 SOUTHBOUND (DAN RYAN EXPRESSWAY)  
16TH STREET TO 18TH STREET  
COOK COUNTY  
S.N. 016-1111 - PIER 2

SCALE: VERT. \_\_\_\_\_  
HORIZ. \_\_\_\_\_  
DATE: 7/19/05

DRAWN BY: LANDREY  
DESIGNED BY: SANFORD  
CHECKED BY: MATHUR

GREENE & BRADFORD, INC.  
OF SPRINGFIELD  
CONSULTING ENGINEERS  
PROFESSIONAL ENGINEERS  
PROFESSIONAL DESIGN FIRM NO. 042-0022  
1001 W. 89TH, GRIFFIN BLDG. 2ND FLOOR, CHICAGO, ILL. 60642  
TEL: 773-894-1211 FAX: 773-894-1212

COMPUTER FILE NO.  
04286-W05-SB-PE2  
PROJECT 04286-W05  
5/16/06-MML

FILE NAME = I:\04286\W05\DRAWINGS\ASOUTBOUND\04286-W05-SB-PE2.dgn  
PLOT SCALE = 1/4" = 1' IN.DRV = XES.8850.ENG.BRIDGE.plt  
PLOT DATE = 5/16/2006  
PLOT TIME = 3:08:22 PM  
OPERATOR = MICHELEBI