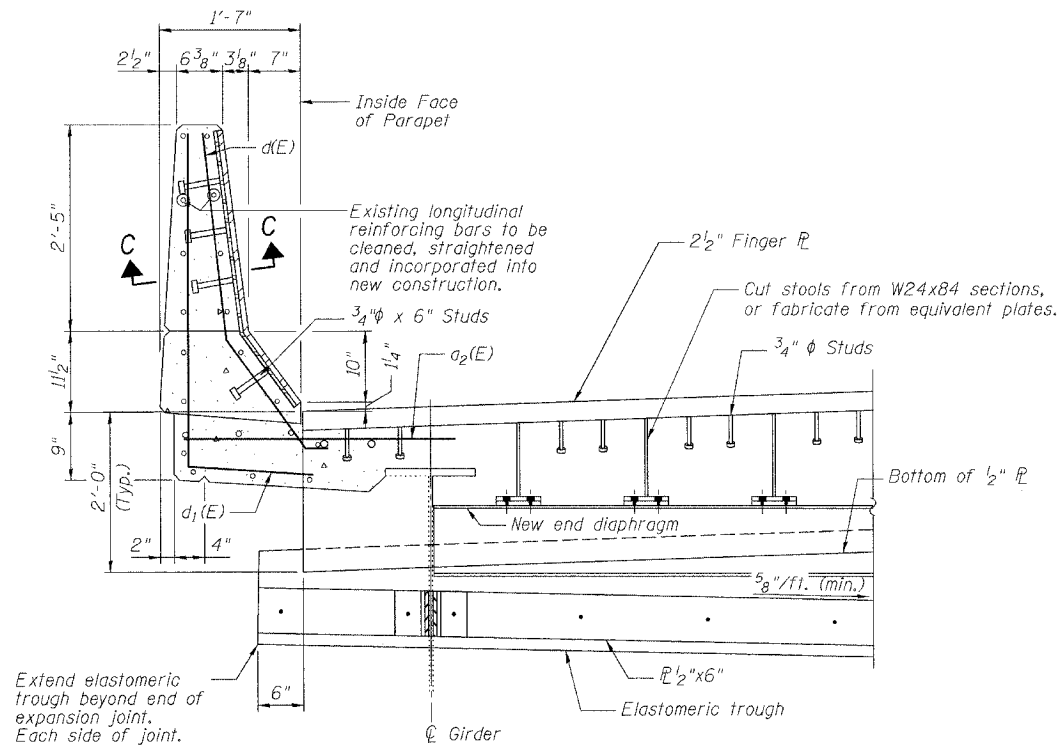


STATE OF ILLINOIS
DEPARTMENT OF TRANSPORTATION

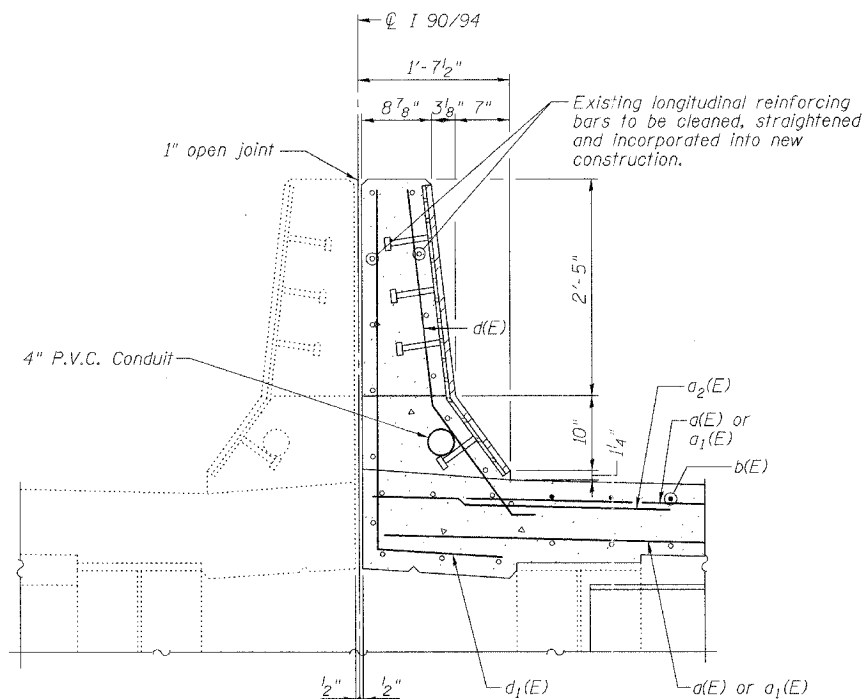
| | | | | | |
|---------------------|----------|------------------|-------|-------|-------------|
| ROUTE NO. | SECTION | COUNTY | SHEET | SHEET | SHEET NO. 5 |
| FAI 90/94 | * | COOK | 344 | 257 | 8 SHEETS |
| FED. ROAD DIST. NO. | ILLINOIS | FED. AID PROJECT | | | |

* 2003-0297
Contract #62581



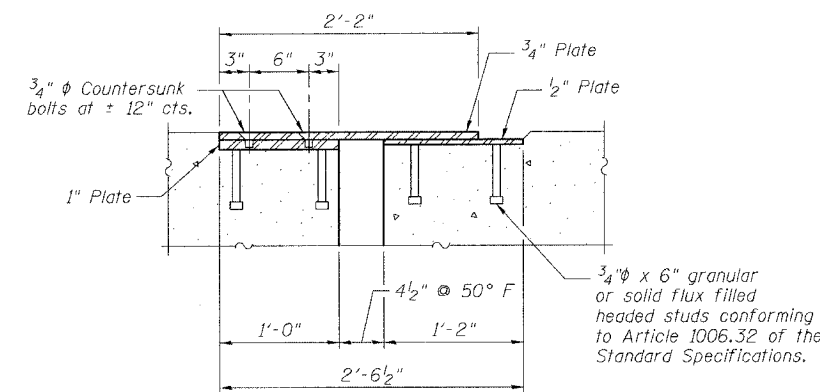
SECTION B-B

(For location of Section B-B, See Sheet 4 of 8)

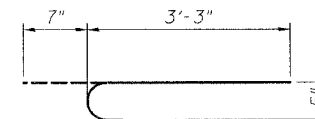


DETAIL AT MEDIAN PARAPET

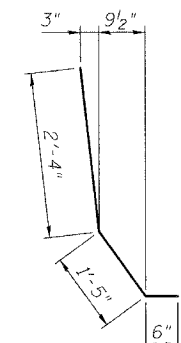
(Looking East)



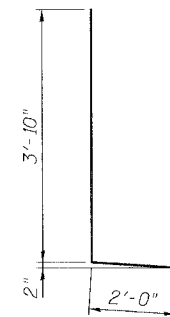
SECTION C-C



BAR b(E)



BAR d(E)



BAR d1(E)

BILL OF MATERIAL

| Bar | No. | Size | Length | Shape |
|----------------------------------|-----|------|---------|-------|
| d(E) | 24 | #5 | 30'-3" | — |
| a1(E) | 24 | #5 | 37'-3" | — |
| a2(E) | 16 | #6 | 4'-6" | — |
| b(E) | 126 | #5 | 3'-10" | ┌ |
| d(E) | 16 | #5 | 4'-3" | └ |
| d1(E) | 20 | #5 | 5'-10" | └ |
| Reinforcement Bars, Epoxy Coated | | | Pound | 2490 |
| Concrete Removal | | | Cu. Yd. | 14.6 |
| Concrete Superstructure | | | Cu. Yd. | 17.5 |
| Mechanical Splice | | | Each | 126 |
| Bar Splicers | | | Each | 24 |

Reinforcing bars designated (E) shall be epoxy coated.

| REVISIONS | |
|-----------|------|
| NAME | DATE |
| | |
| | |
| | |

ILLINOIS DEPARTMENT OF TRANSPORTATION
PARAPET DETAILS
F.A.I. ROUTE 90/94 SOUTHBOUND (DAN RYAN EXPRESSWAY)
OVER 28th ST. TO S. STEWART ST.
COOK COUNTY
S.N. 016-1117 - PIER 26

SCALE: VERT. _____
HORIZ. _____
DATE: 4/7/05

DRAWN BY: HEBERLING
DESIGNED BY: SANFORD
CHECKED BY: MATHUR

GREENE & BRADFORD, INC.
REGISTERED PROFESSIONAL ENGINEERS
ILLINOIS LICENSE NO. 04286-W03-SB-PD

COMPUTER FILE NO.
04286-W03-SB-PD

PROJECT 04286-W03
5/15/06-MML

FILE NAME = J:\04286\w03\of\awings\southbound\04286-w03-sb-pd.dgn
DATE = 5/16/2006
PLOT DATE = 5/16/2006
PLOT TIME = 2:35:26 PM
OPERATOR = michellel