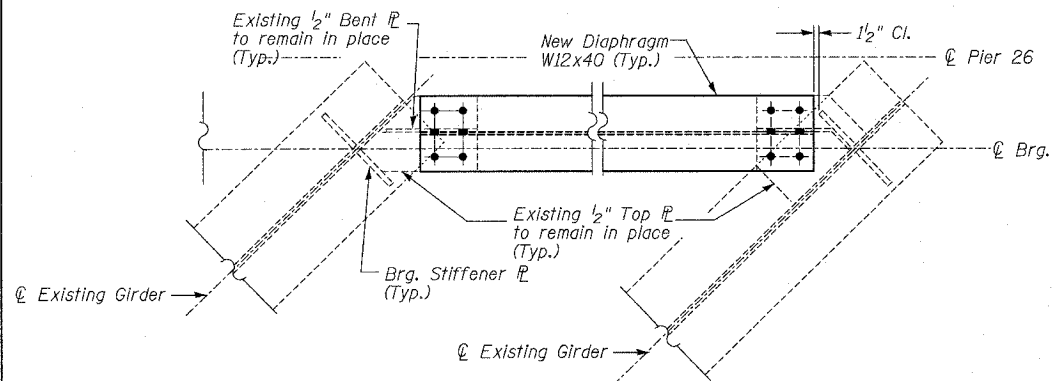
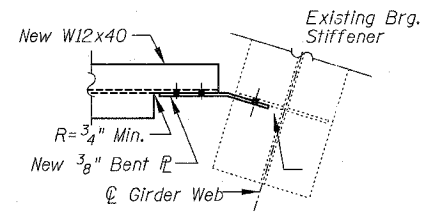


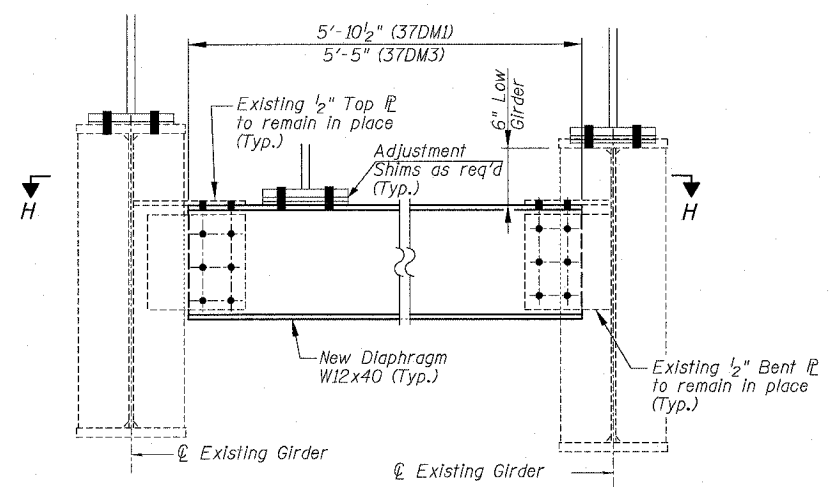
F.A.I.	SECTION	COUNTY	TOTAL SHEETS	SHEET NO.
94/90	2003-0291	COOK	344	272A
STA.		TO STA.		
FED. ROAD DIST. NO.	ILLINOIS	FED. AID PROJECT		
62581				



SECTION H-H



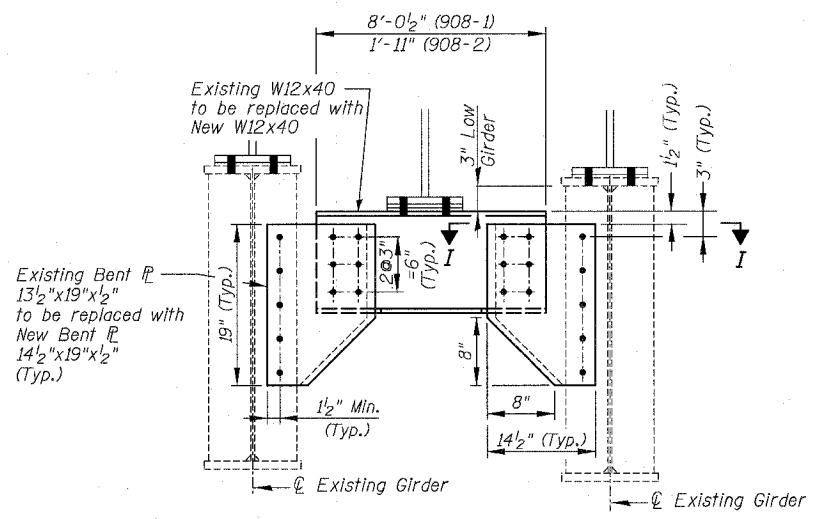
Section I-I



CROSS FRAME DETAIL

S.N. 016-1117

37DM1	4 REQ'D
37DM3	4 REQ'D



DIAPHRAGM DETAIL

S.N. 016-1117

908-1	1 REQ'D
908-2	1 REQ'D

NOTES:

1. Calculated weight of Structural Steel used for the item "Furnishing & Erecting Structural Steel" = 5,610 Lbs. and itemized as follows:
S.N. 016-1116 = 2,760 Lbs
S.N. 016-1117 = 2,850 Lbs
2. Calculated weight of Structural Steel used for the item "Structural Steel Removal" = 5,580 Lbs. and itemized as follows:
S.N. 016-1116 = 2,740 Lbs
S.N. 016-1117 = 2,840 Lbs

BILL OF MATERIAL

Item	Unit	Quantity
Furnishing & Erecting Structural Steel	Lum Sum	0.02
Structural Steel Removal	Pound	5,580

BOWMAN, BARRETT & ASSOCIATES INC.
CONSULTING ENGINEERS
Chicago, Illinois
312.228.0100
www.bbainc.com

REVISIONS		ILLINOIS DEPARTMENT OF TRANSPORTATION F.A.I. 94/90 (DAN RYAN EXPRESSWAY) SB DAN RYAN ELEVATED BRIDGE REPAIR FROM 15TH TO 28TH STREETS DIAPHRAGM REPLACEMENT DETAILS PIER 26, SN 016-1117
NAME	DATE	
		SCALE: NTS
		DATE: 5/25/2006
		DRAWN BY: BDC
		CHECKED BY: IYL

66000000 BRIDGE SHEETS 660 21 016-1117-PP-1459
4-4-01 PM
5/25/2006