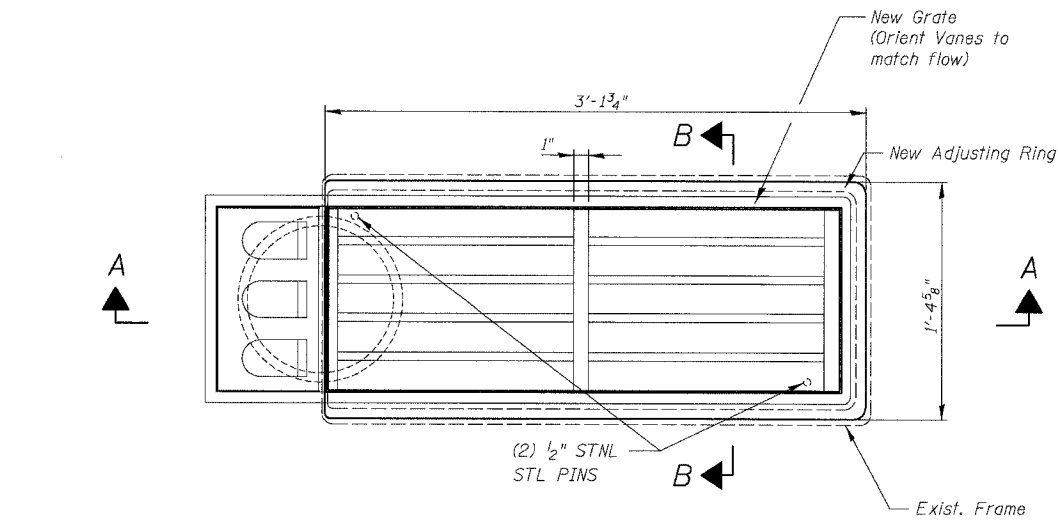
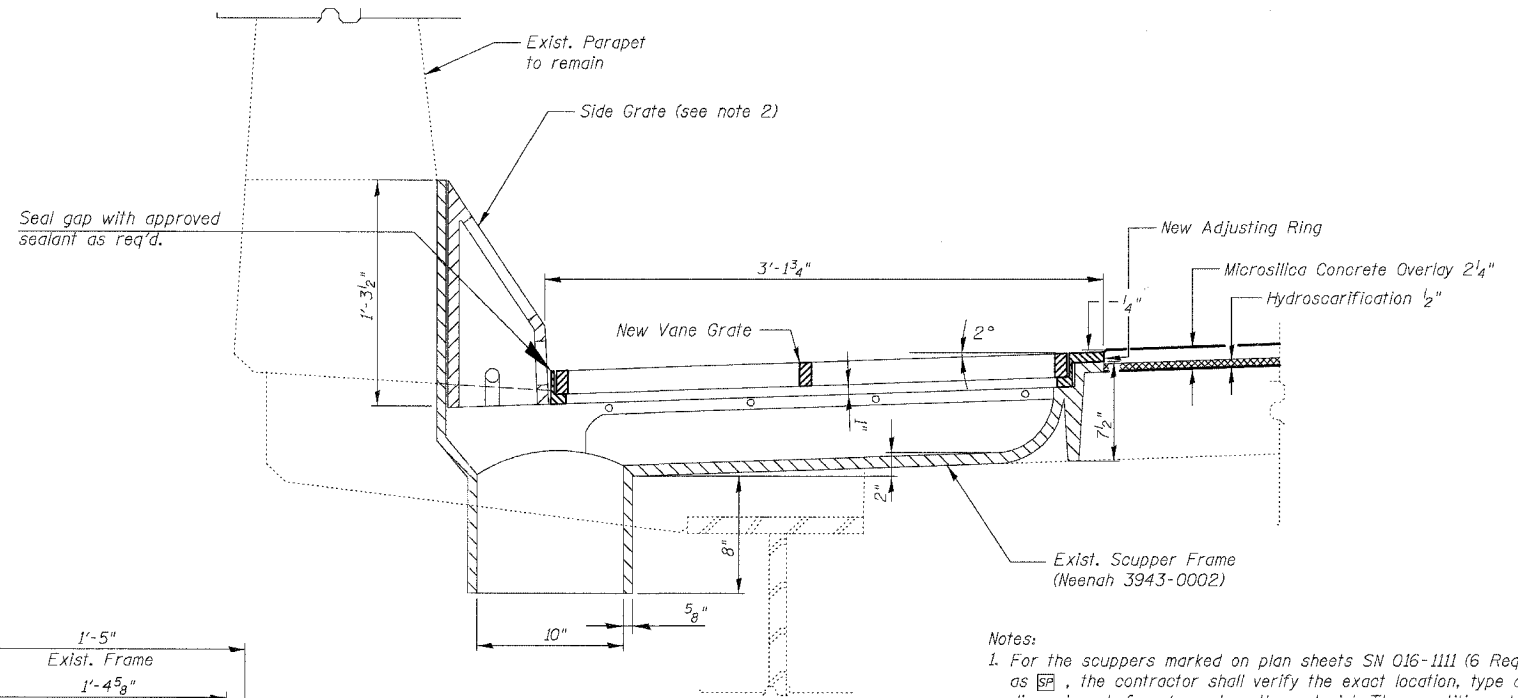


**BILL OF MATERIAL**

ITEM DESCRIPTION	UNIT	TOTAL	SN 016-1117	SN 016-1067	SN 016-1116	SN 016-1115	SN 016-1046	SN 016-1050	SN 016-1062	SN 016-1114	SN 016-1113	SN 016-1112	SN 016-1111	SN 016-1110	SN 016-0137
ADJUSTING DRAINAGE SCUPPERS, TYPE A	EACH	128	-	9	-	28	4	1	-	11	12	20	11	11	21
ADJUSTING DRAINAGE SCUPPERS, TYPE B	EACH	60	17	-	8	12	-	-	-	10	10	-	3	-	-
ADJUSTING DRAINAGE SCUPPERS, TYPE C	EACH	81	14	13	8	5	-	-	-	-	6	19	8	8	-

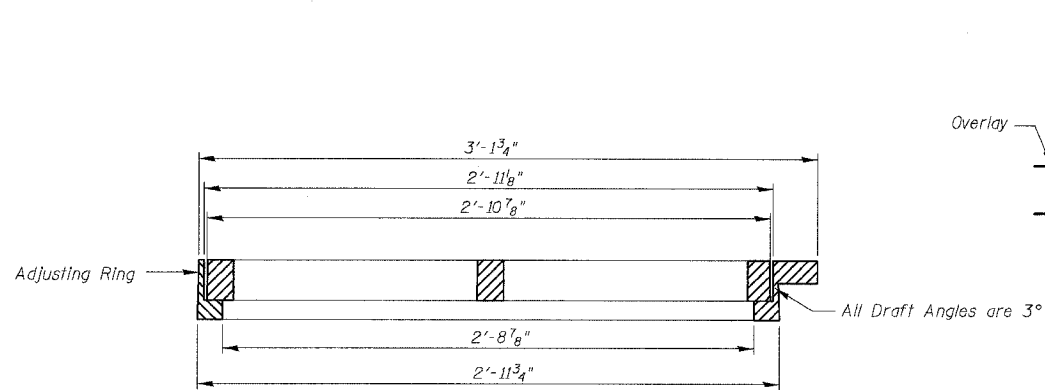


**PLAN TYPE C SCUPPER**

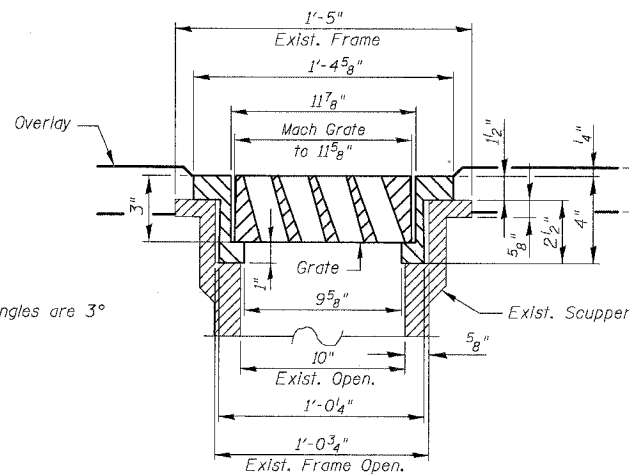


**SECTION THRU TYPE C SCUPPER**

- Notes:
- For the scuppers marked on plan sheets SN 016-1111 (6 Req'd) as **B**, the contractor shall verify the exact location, type and dimensions before he orders the material. The quantity and pay item is included in "Adjust Drainage Scuppers, Type A".
  - For scupper locations, see Partial Deck Plan Sheets.
  - A paint stripe shall be applied over the existing stripe to the face of the Concrete Barrier Wall at all drainage scupper locations. The stripe shall be 4" wide x 12" long and extend vertically at 90 degrees from the top edge of the barrier. The paint color shall be specified by the Engineer. Cost of the stripe is to be included in "Adjusting Drainage Scuppers" of the type specified.



**SECTION A-A**



**SECTION B-B**

**DRAINAGE SCUPPER DETAILS - TYPE C**

Vane Grate 3943-0002 machined to fit

BOWMAN, BARRETT & ASSOCIATES INC.  
CONSULTING ENGINEERS  
Chicago, Illinois  
312.228.0100  
www.bbandainc.com



REVISIONS		ILLINOIS DEPARTMENT OF TRANSPORTATION F.A.I. 94/90 (DAN RYAN EXPRESSWAY) SB DAN RYAN ELEVATED BRIDGE REPAIR FROM 15TH TO 28TH STREETS ADJUSTING DRAINAGE SCUPPER DETAILS
NAME	DATE	
		SCALE: N/A
		DATE: 5/25/2006
		DRAWN BY: BDC
		CHECKED BY: BLU