

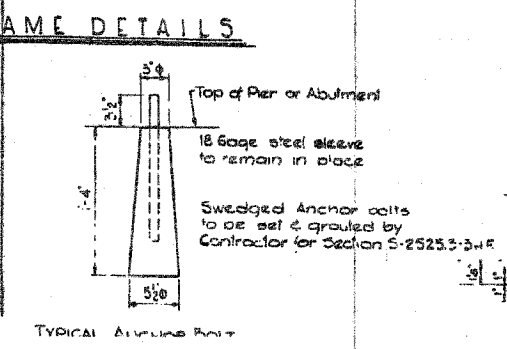
**NOTES**

Expansion Guard bracket spacings shown are typical at locations where girders are parallel.

Dimensions to be adjusted by detailer where girders are formed. Hold bracket spacings to E3 max. See Framing Plans for 1/4" dimensions of lapped girders.

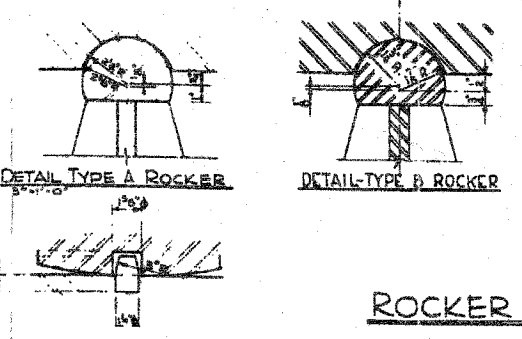
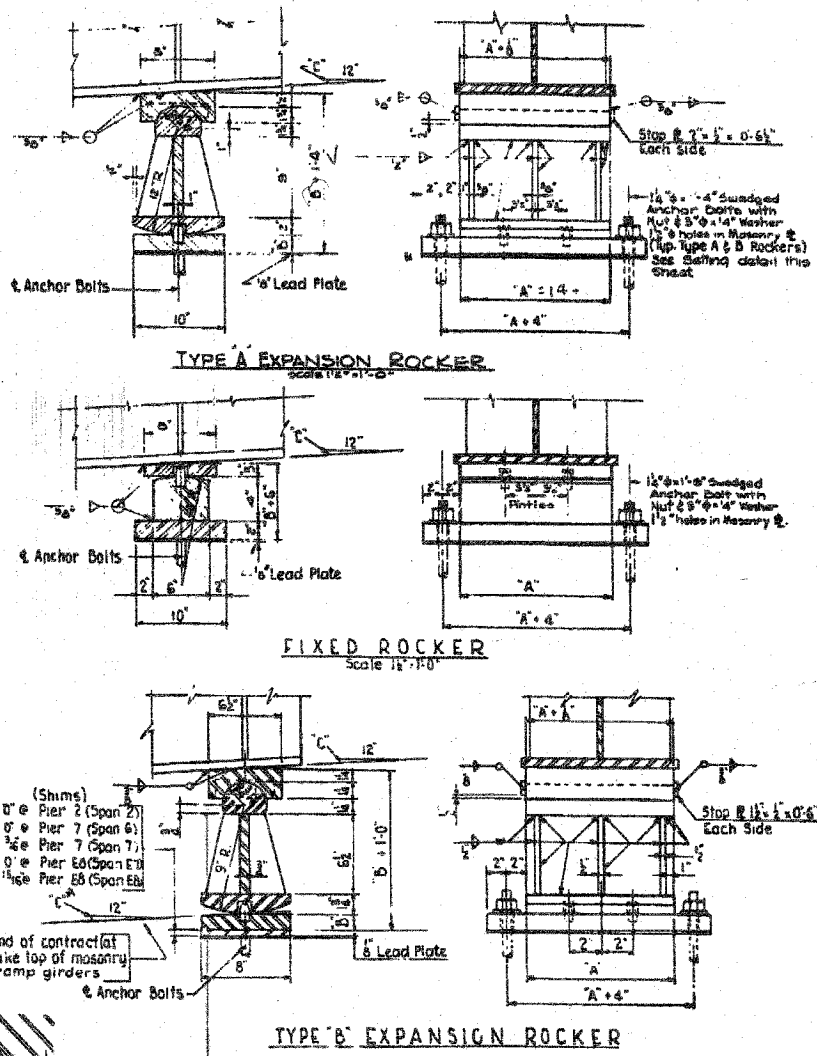
Special bracket spacing dimensions to be used at north end of contract to meet expansion guard supplied by others. See Expansion Guard Details Sheet 5-27.

Intermediate Cross Frames and End Cross Frames shown are typical for simple spans & continuous spans. Pier cross frames typical are at interior piers of continuous spans. See Framing Plans & Girder Details for girder dimensions & spacings.



**ROCKER SCHEDULE**

Girder	Type	A'	B'	C'
<b>PIER 1-SPAN 1</b>				
G1-L&R	Fixed	10'	1 1/2'	1/2'
G2,3-L&R	Fixed	10'	1 1/2'	1/2'
G4,5-L&R	Fixed	10'	1 1/2'	1/2'
G6-9-L&R	Fixed	10'	1 1/2'	1/2'
<b>PIER 2-SPAN 1</b>				
G1-L&R	B	11'	1 1/2'	1/2'
G2,3-L&R	B	11'	1 1/2'	1/2'
G4,5-L&R	B	11'	1 1/2'	1/2'
G6-9-L&R	B	11'	1 1/2'	1/2'
<b>PIER 2-SPAN 2</b>				
G1-L&R	B	10'	1 1/2'	1/2'
G2,3-L&R	B	10'	1 1/2'	1/2'
G4,5-L&R	B	10'	1 1/2'	1/2'
G6-9-L&R	B	10'	1 1/2'	1/2'
<b>PIERS 3,4,6,8,9 &amp; 11</b>				
G1-L&R	A	11'	1 1/2'	1/2'
G2,3-L&R	A	15'	1 1/2'	1/2'
G4,5-L&R	A	12'	1 1/2'	1/2'
G6-9-L&R	A	14'	2'	1/2'
<b>PIER 7 &amp; PIER BY OTHERS</b>				
G1-L&R	B	10'	1 1/2'	1/2'
G2,3-L&R	B	10'	1 1/2'	1/2'
G4,5-L&R	B	10'	1 1/2'	1/2'
G6-9-L&R	B	10'	1 1/2'	1/2'
<b>PIERS 5 &amp; 10</b>				
G1-L&R	Fixed	11'	1 1/2'	1/2'
G2,3-L&R	Fixed	13'	1 1/2'	1/2'
G4,5-L&R	Fixed	12'	1 1/2'	1/2'
G6-9-L&R	Fixed	14'	1 1/2'	1/2'
<b>RAMP E</b>				
ABUTMENT E9 & PIER BY OTHERS				
All Girders	B	10'	1 1/2'	1/2'
PIERS E6, E9, E11				
All Girders	A	14'	2'	1/2'
PIERS E7 & E10				
All Girders	Fixed	14'	1 1/2'	1/2'
PIER E8				
All Girders	B	10'	1 1/2'	1/2'
<b>RAMP D</b>				
ABUTMENT D7 & PIER BY OTHERS				
All Girders	B	10'	1 1/2'	1/2'
PIER D8, D9, & D11				
All Girders	A	14'	2'	1/2'
PIER D10				
All Girders	Fixed	14'	1 1/2'	1/2'



**ROCKER DETAILS**

CITY OF CHICAGO  
DEPARTMENT OF PUBLIC WORKS  
BUREAU OF SUPERHIGHWAY  
SOUTH ROUTE SUPERHIGHWAY  
SECTION NO. 18-1025.3-SH  
W. 156th STREET TO W. 158th STREET  
**CROSS FRAMES & ROCKERS**  
CONSOR, TOWNSEND & ASSOCIATES  
CONSULTING ENGINEERS  
CHICAGO, ILLINOIS  
DESIGNED BY RLF CHECKED BY MTR  
DRAWN BY MTR IN CHARGE OF HSM

REVISIONS	NAME	DATE

ILLINOIS DEPARTMENT OF TRANSPORTATION  
F.A.I. 94/90 (DAN RYAN EXPRESSWAY)  
SB DAN RYAN ELEVATED BRIDGE  
REPAIR FROM 15TH TO 28TH STREETS  
EXISTING PLAN INFORMATION  
SN 016-1111

SCALE: NTS  
DATE: 5/25/2006

DRAWN BY: MTR  
CHECKED BY: BLU

FOR INFORMATION ONLY