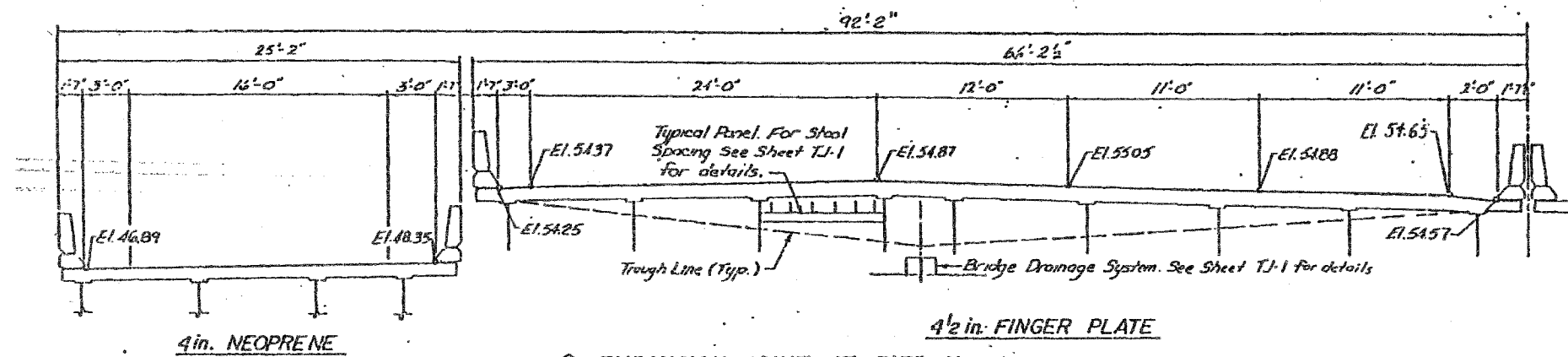
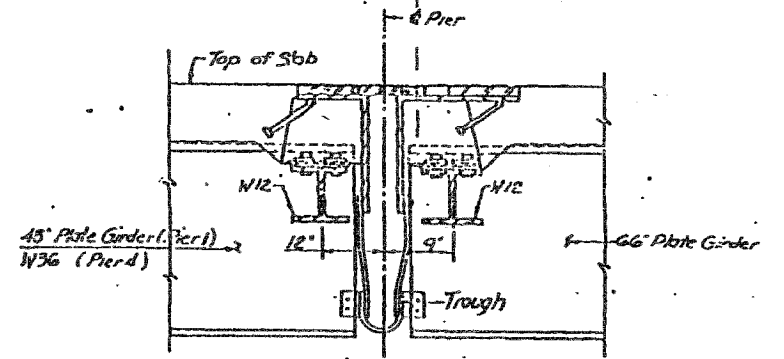


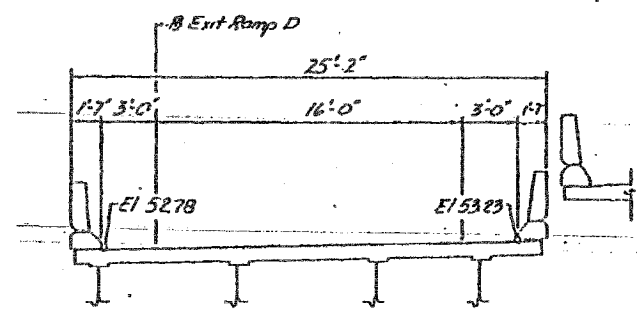
F.A.I.	SECTION	COUNTY	TOTAL SHEETS	SHEET NO.
94/90	2003-029BR	COOK	344	324
STA.	TO STA.			
FED. ROAD DIST. NO.	ILLINOIS	FED. AID PROJECT		
62581				



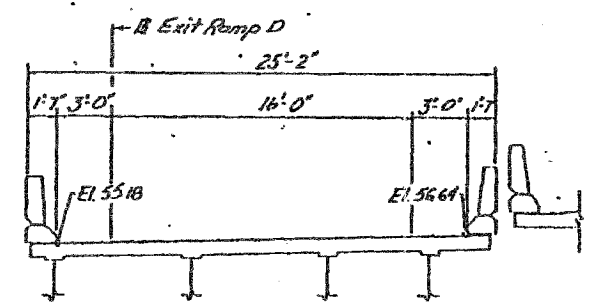
② EXPANSION JOINT AT PIER No. 1



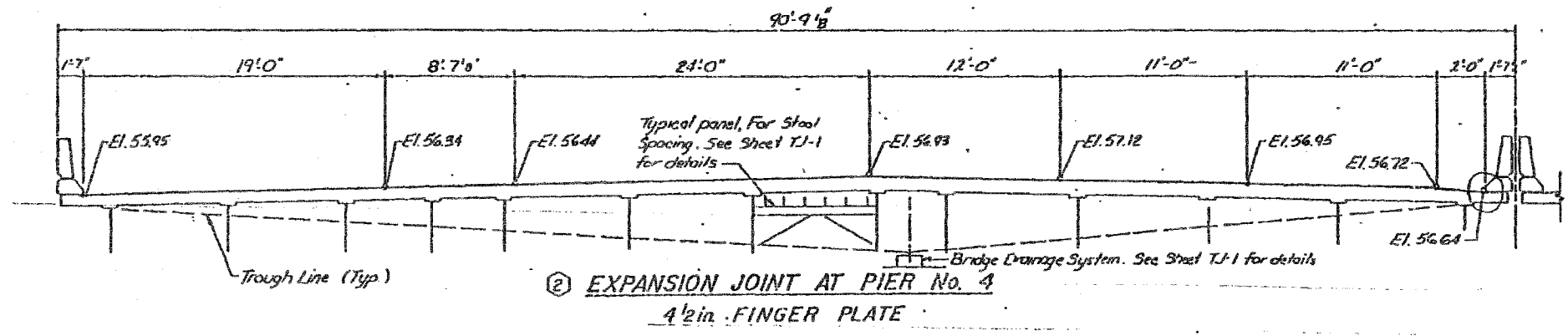
FINGER PLATE EXPANSION JOINT
(TYPICAL CROSS SECTION)



② EXPANSION JOINT 'A' SPAN 2
2 1/2 in. PREFORMED JOINT SEAL



② EXPANSION JOINT 'B' SPAN 2
2 in. NEOPRENE



② EXPANSION JOINT AT PIER No. 4
4 1/2 in. FINGER PLATE

BOWMAN, BARRETT & ASSOCIATES INC.
CONSULTING ENGINEERS
Chicago, Illinois
312.228.0100
www.bbainc.com

FOR INFORMATION ONLY

REVISIONS	
NAME	DATE

ILLINOIS DEPARTMENT OF TRANSPORTATION
F.A.I. 94/90 (DAN RYAN EXPRESSWAY)
SB DAN RYAN ELEVATED BRIDGE
REPAIR FROM 15TH TO 28TH STREETS
EXISTING PLAN INFORMATION
SN 016-1110

SCALE: NTS
DATE: 5/25/2006

DRAWN BY: MTR
CHECKED BY: BLU

4-49624 PM 5/23/2006