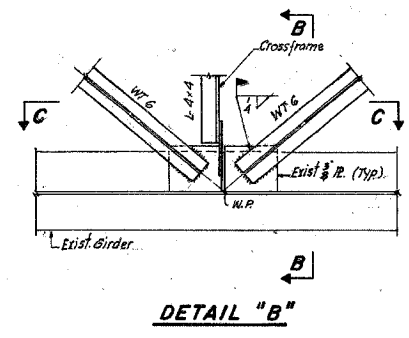
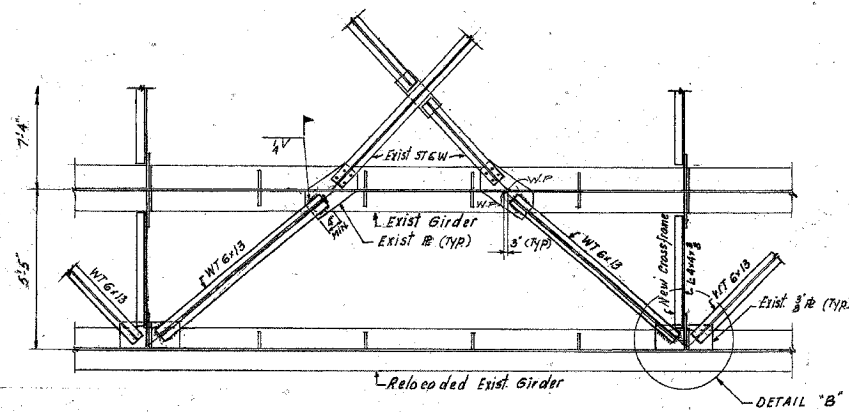
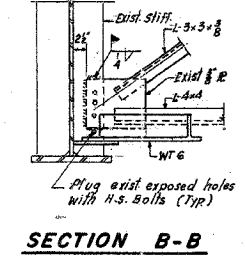
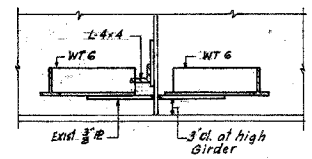


F.A.I.	SECTION	COUNTY	TOTAL SHEETS	SHEET NO.
94/90	2003-0291	COOK	344	330
STA.	TO STA.			
FED. ROAD DIST. NO.	ILLINOIS FED. AID PROJECT			
62581				

FEDERAL AID ROUTE NO.	SECTION	COUNTY	TOTAL SHEETS	SHEET NO.
90/94	*	COOK	32	14
STA.	TO STA.			
FED. RD. DIST. NO.	ILLINOIS FED. AID PROJECT			
*1985-082R				

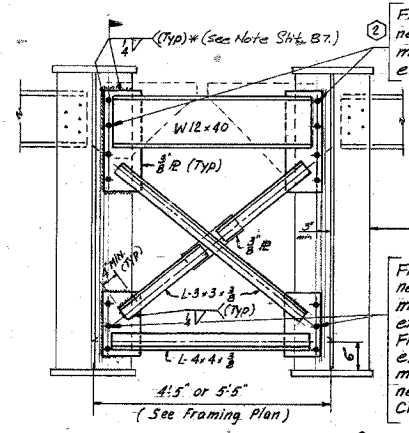


DETAIL "A"

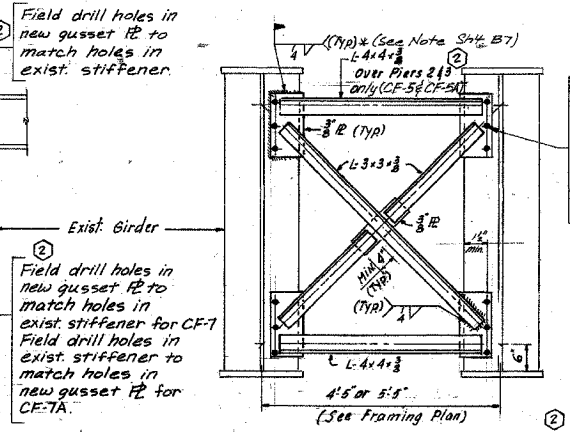


SECTION C-C

SECTION B-B

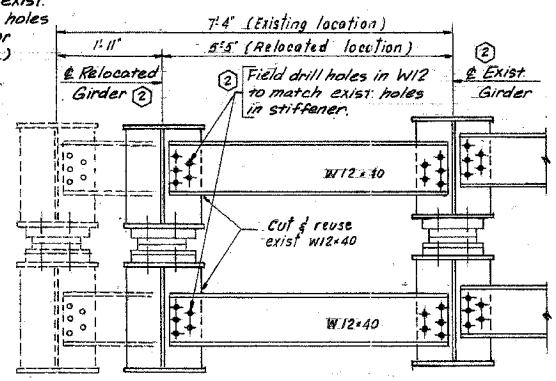


TYPICAL END CROSS FRAME



TYPICAL INTERIOR CROSS FRAME

Field drill holes in new gusset P2 to match holes in exist. stiffeners for CF-5 & CF-6 (Typ.)
Field drill holes in exist. stiffener to match holes in new gusset P2 for CF-5A & CF-6A (Typ.)



CF-8

All materials shown on this sheet furnished under a separate Steel Fabrication Contract (Section 1985-081 F), unless noted otherwise.

SHEET B14 OF B32

REVISIONS	
Name	Date
②	2-5-88

STATE OF ILLINOIS
DEPARTMENT OF TRANSPORTATION
F.A.I. ROUTE 90/94 (DAN RYAN EXPRESSWAY)
SECTION 1985-082R COOK COUNTY
S.B. MAINLINE RECONSTRUCTION
STRUCTURE 016-1110
CROSS FRAME & BTM LAT. BRACING
Scale: NONE
Date: AUG. 14, 1987
Drawn By: J.G.
Checked By: M.E.M.
ENVIRODYNE ENGINEERS INC.
Chicago, Illinois

REVISIONS	
NAME	DATE

ILLINOIS DEPARTMENT OF TRANSPORTATION
F.A.I. 94/90 (DAN RYAN EXPRESSWAY)
SB DAN RYAN ELEVATED BRIDGE
REPAIR FROM 15TH TO 28TH STREETS
EXISTING PLAN INFORMATION
SN 016-1110

SCALE: NTS
DATE: 5/25/2006
DRAWN BY: MTR
CHECKED BY: BLU

FOR INFORMATION ONLY

BOWMAN, BARRETT & ASSOCIATES INC.
CONSULTING ENGINEERS
Chicago, Illinois
312.228.0100
www.bbainc.com

1985-082R BRIDGE SHEET 14 OF 32