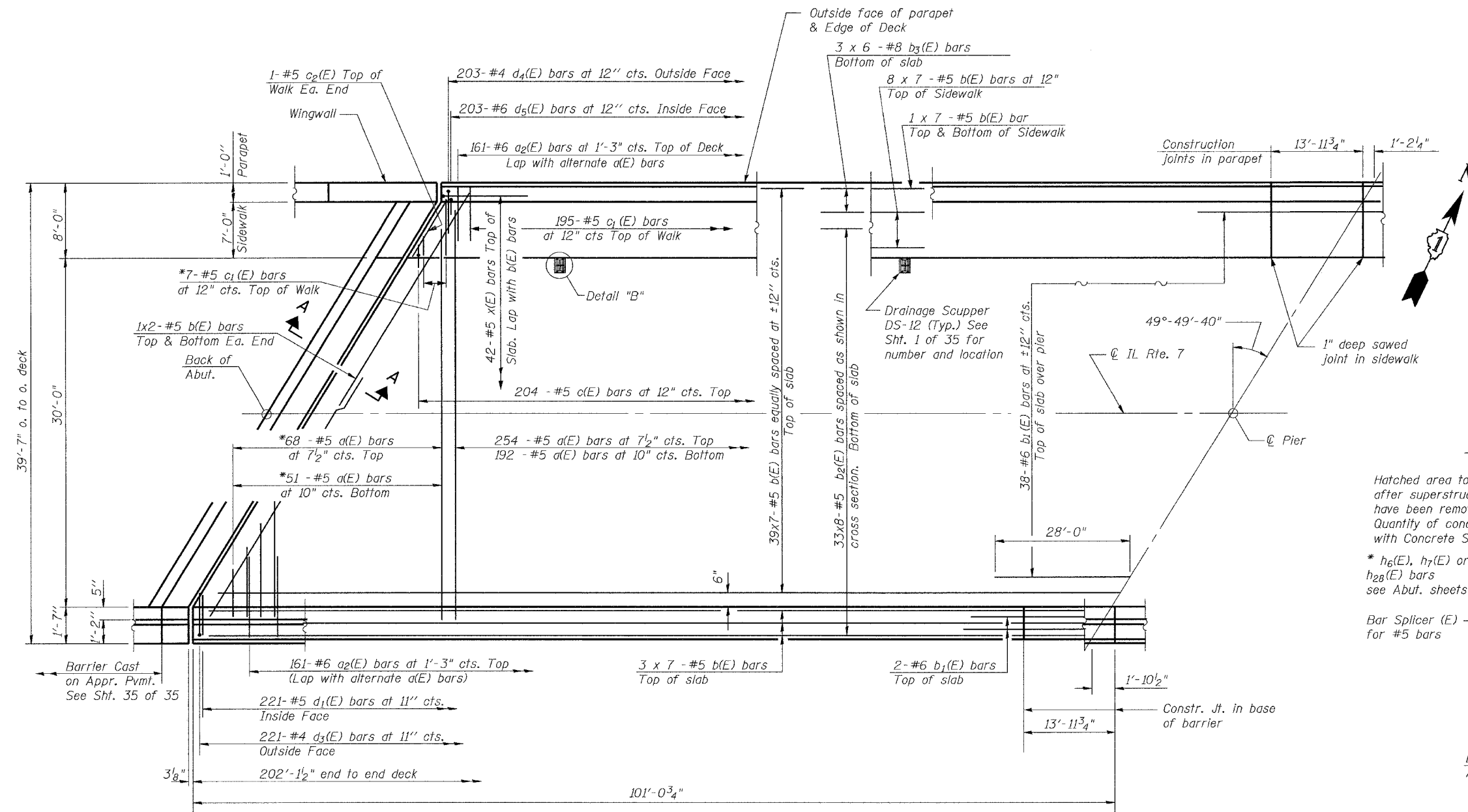
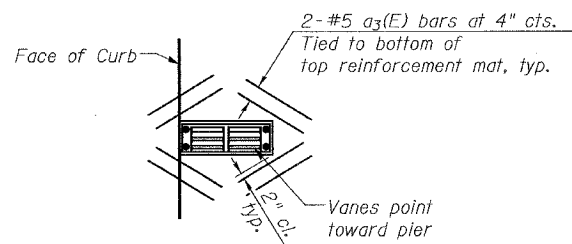


ROUTE NO.	SECTION	COUNTY	TOTAL SHEETS	SHEET NO.
FAU 3578	1327 B	COOK	108	35
FED. ROAD DIST. NO. 7		BILLINGS	FED. AID PROJECT	



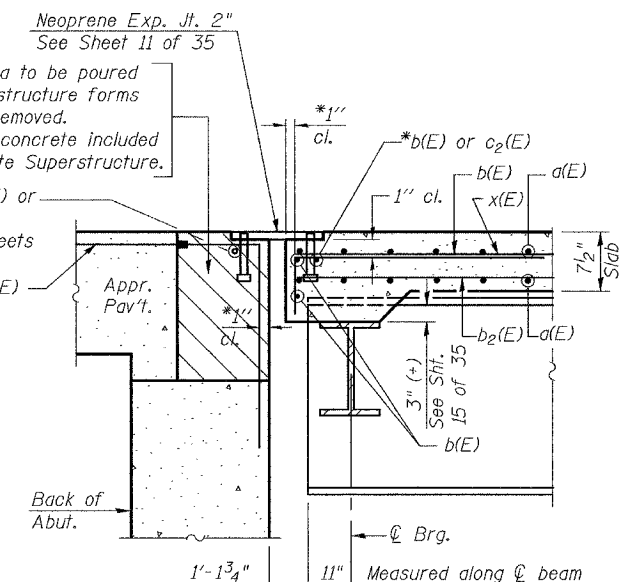
HALF PLAN

* Order a(E) & c1(E) bars full length. Cut to fit skew and use remainder of bars in opposite end.



Notes:
Cut longitudinal reinforcement to clear drainage scuppers.

DETAIL "B" PLAN



SECTION A-A

* Place b(E), c2(E), h6(E), h7(E) and h28(E) bars in back of anchor bolt as shown if required to maintain 1\"/>

Notes:
See Sheet 10 of 35 for drainage system and Bill of Material.
Reinforcement bars designated (E) shall be epoxy coated.
Bars indicated thus 39 x 7-#5 etc. indicates 39 lines of bars with 7 lengths per line.
See Sheet 8 of 35 for deck section.
See Sheet 9 of 35 for parapet reinforcement.
Minimum lap #5 bar = 1'-8\"/>

DESIGNED	JJI
CHECKED	SRT
DRAWN	MD
CHECKED	SRT

B Bollinger, Lach & Associates, Inc.

S-2-L(>30°) 10-22-04

SUPERSTRUCTURE PLAN
IL 7 (SOUTHWEST HIGHWAY) OVER
US 45 (LA GRANGE ROAD)
F.A.U. ROUTE 3578 SECTION 1327B
COOK COUNTY
STA. 1516+85.79
STRUCTURE NUMBER 016-2847