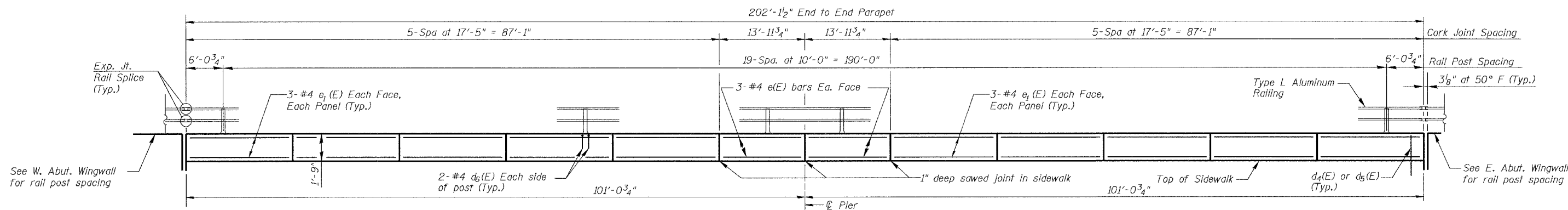


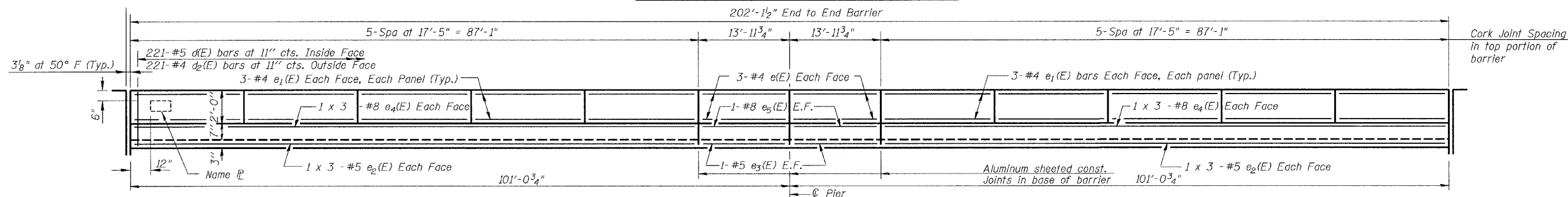
STATE OF ILLINOIS
DEPARTMENT OF TRANSPORTATION

ROUTE NO. FAU 3578	SECTION 1327B	COUNTY COOK	DATE 108	SHEET NO. 37
FED. ROAD DIST. NO. 7		ILLINOIS		FED. AID PROJECT-

SHEET NO. 9
35 SHEETS



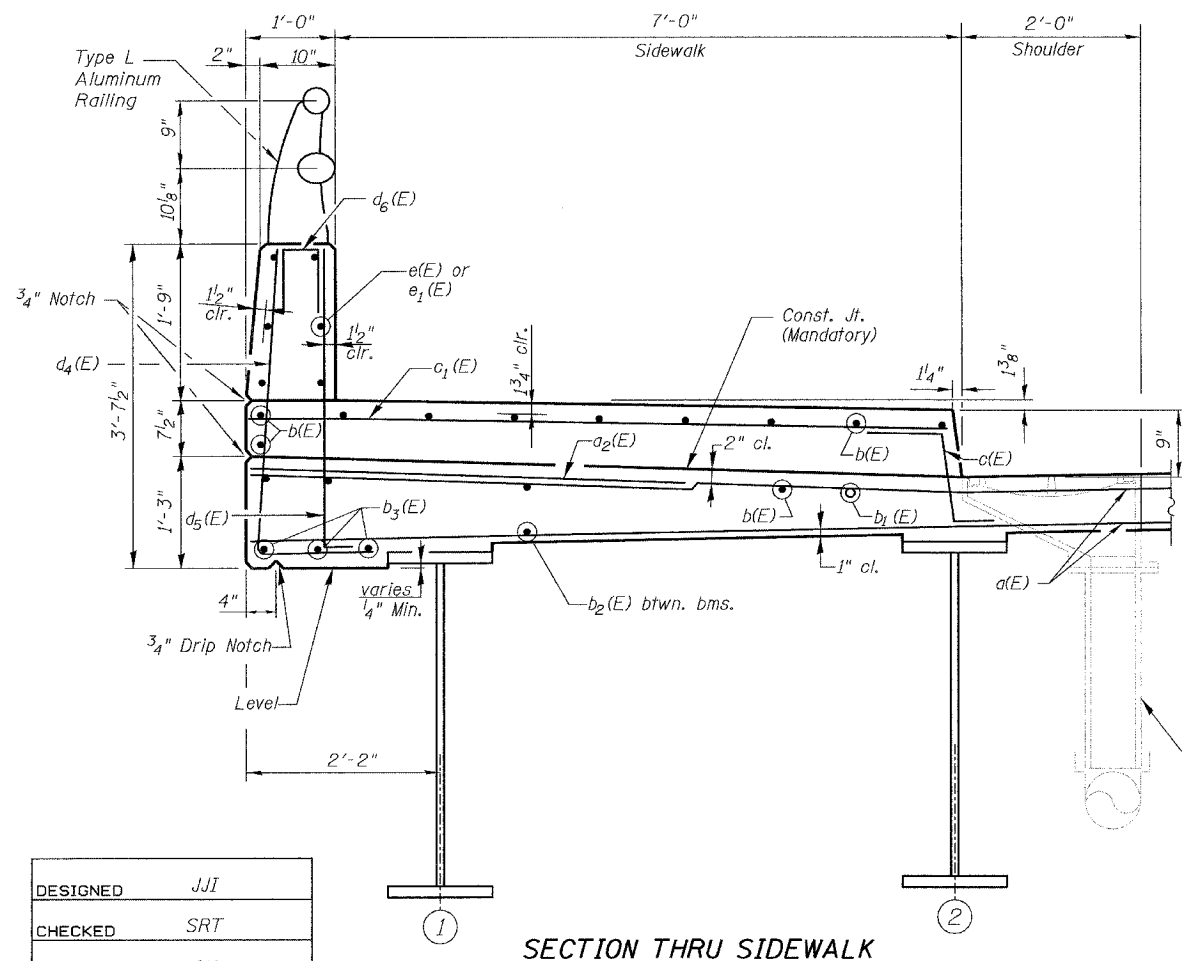
INSIDE ELEVATION OF NORTH PARAPET



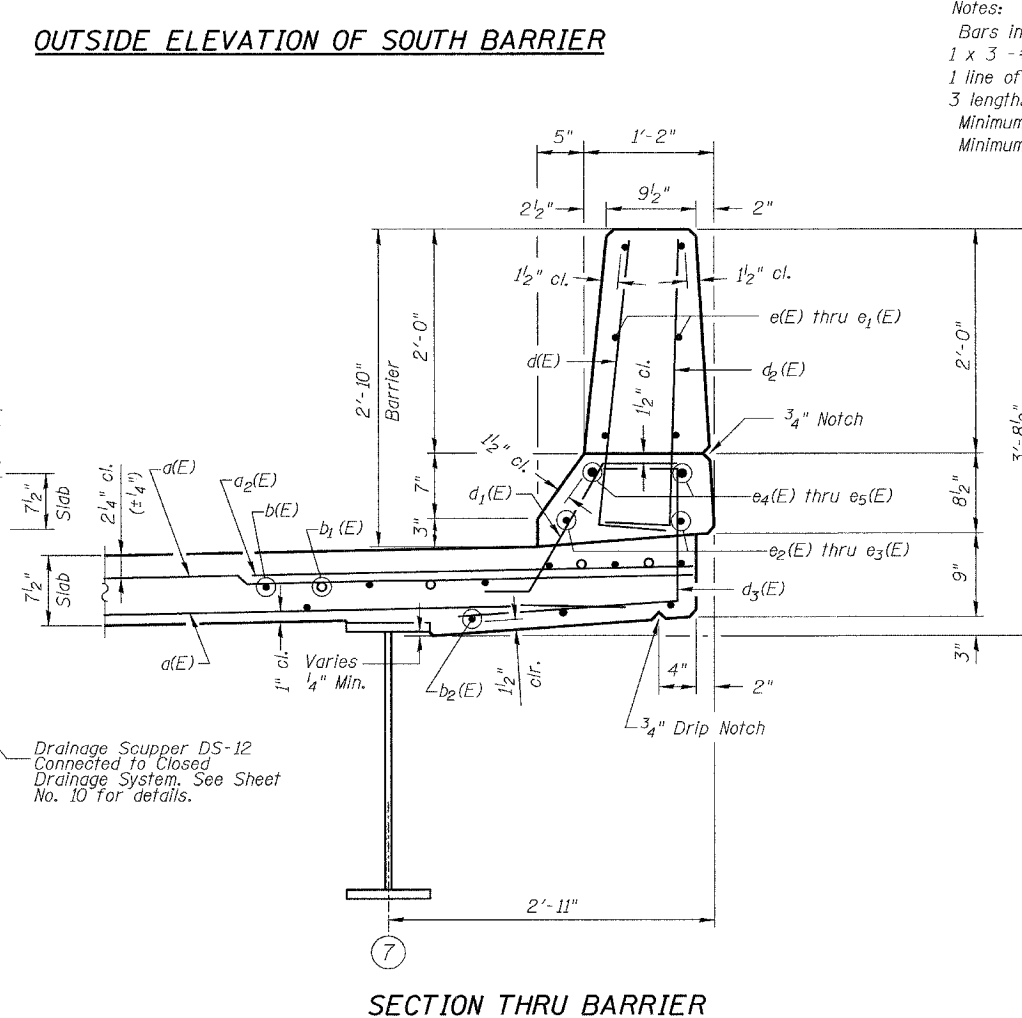
OUTSIDE ELEVATION OF SOUTH BARRIER

Notes:

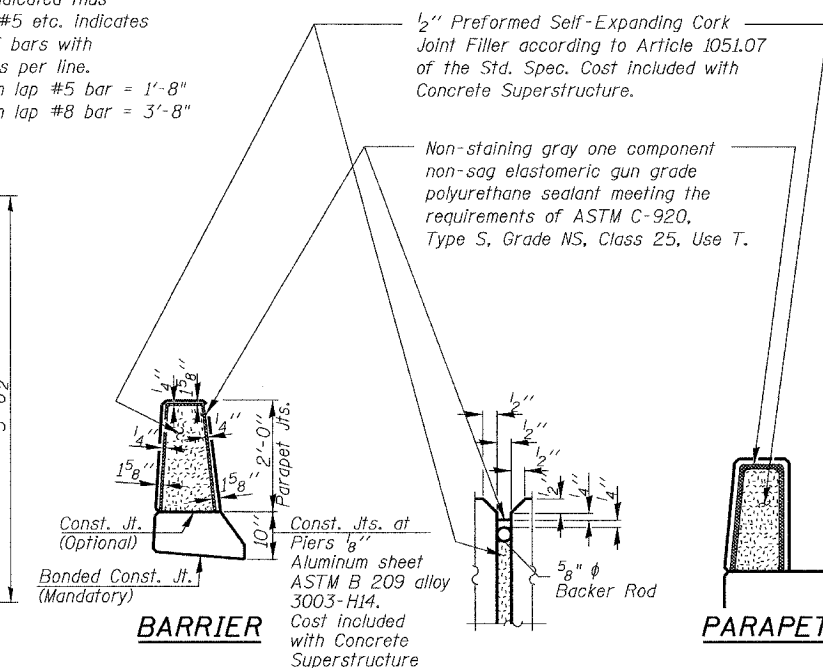
Bars indicated thus
1 x 3 - #5 etc. indicates
1 line of bars with
3 lengths per line.
Minimum lap #5 bar = 1'-8"
Minimum lap #8 bar = 3'-8"



SECTION THRU SIDEWALK



SECTION THRU BARRIER



PARAPET & BARRIER JOINT DETAIL

DESIGNED	JJI
CHECKED	SRT
DRAWN	GM
CHECKED	SRT

B Bollinger, Lach & Associates, Inc.

SUPERSTRUCTURE DETAILS
IL 7 (SOUTHWEST HIGHWAY) OVER
US 45 (LA GRANGE ROAD)
F.A.U. ROUTE 3578 SECTION 1327B
COOK COUNTY
STA. 1516+85.79
STRUCTURE NUMBER 016-2847