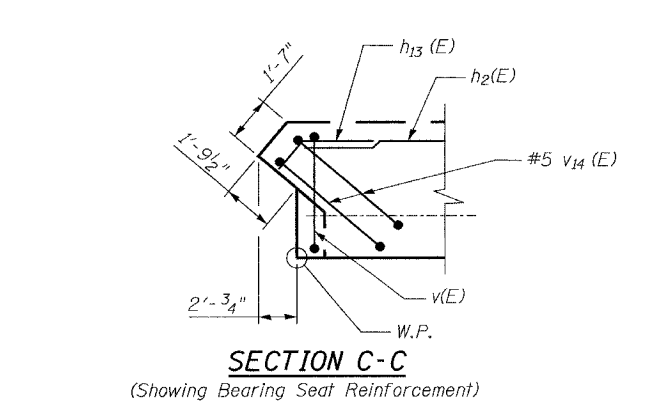
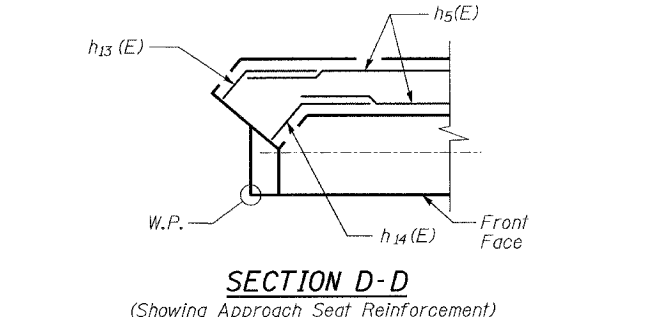
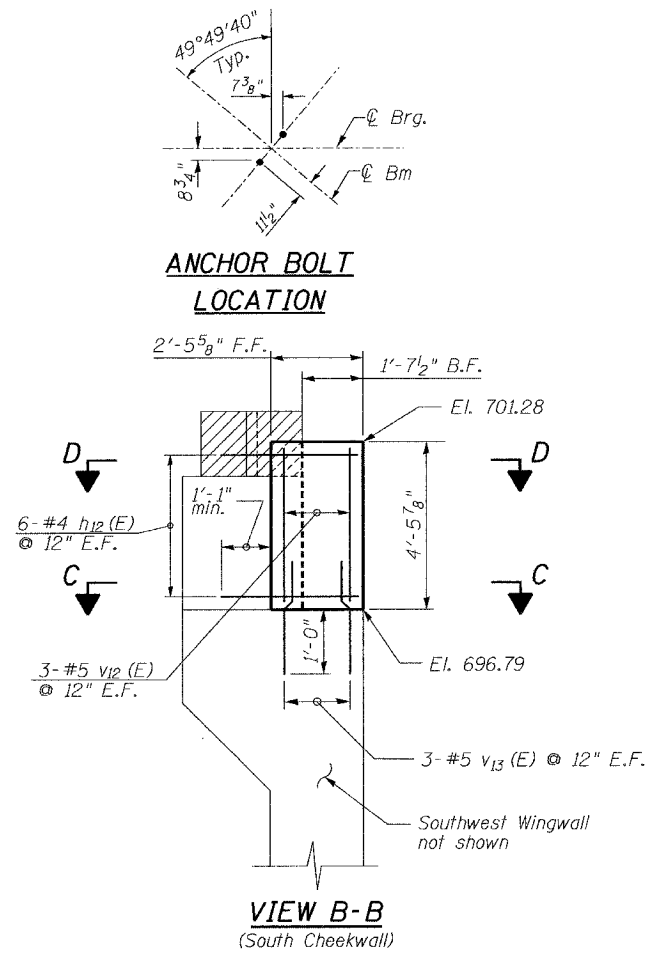
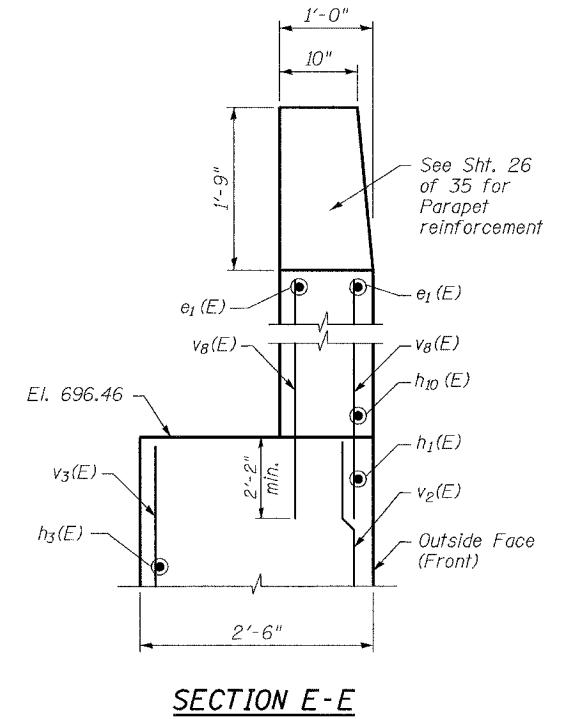
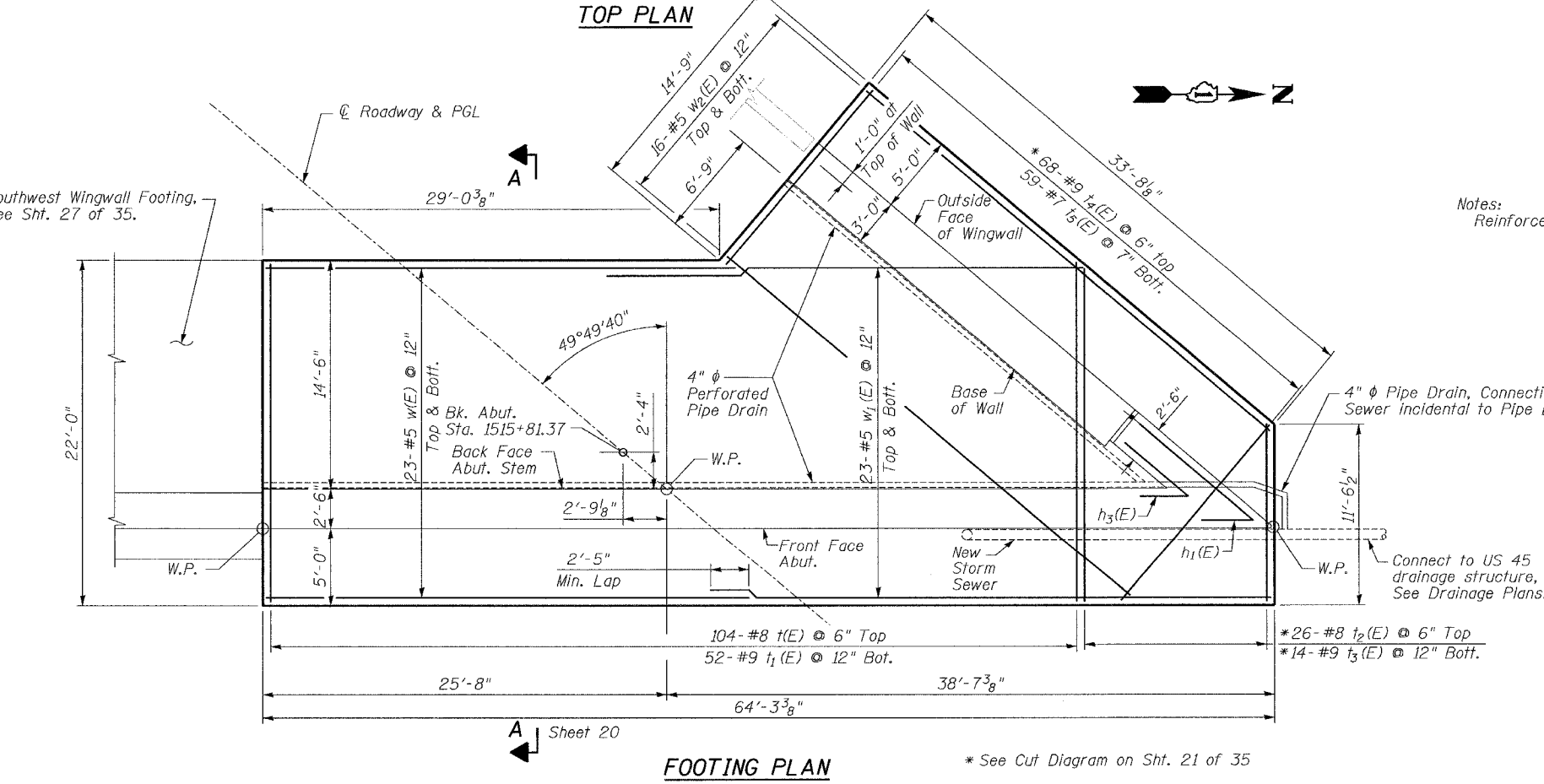
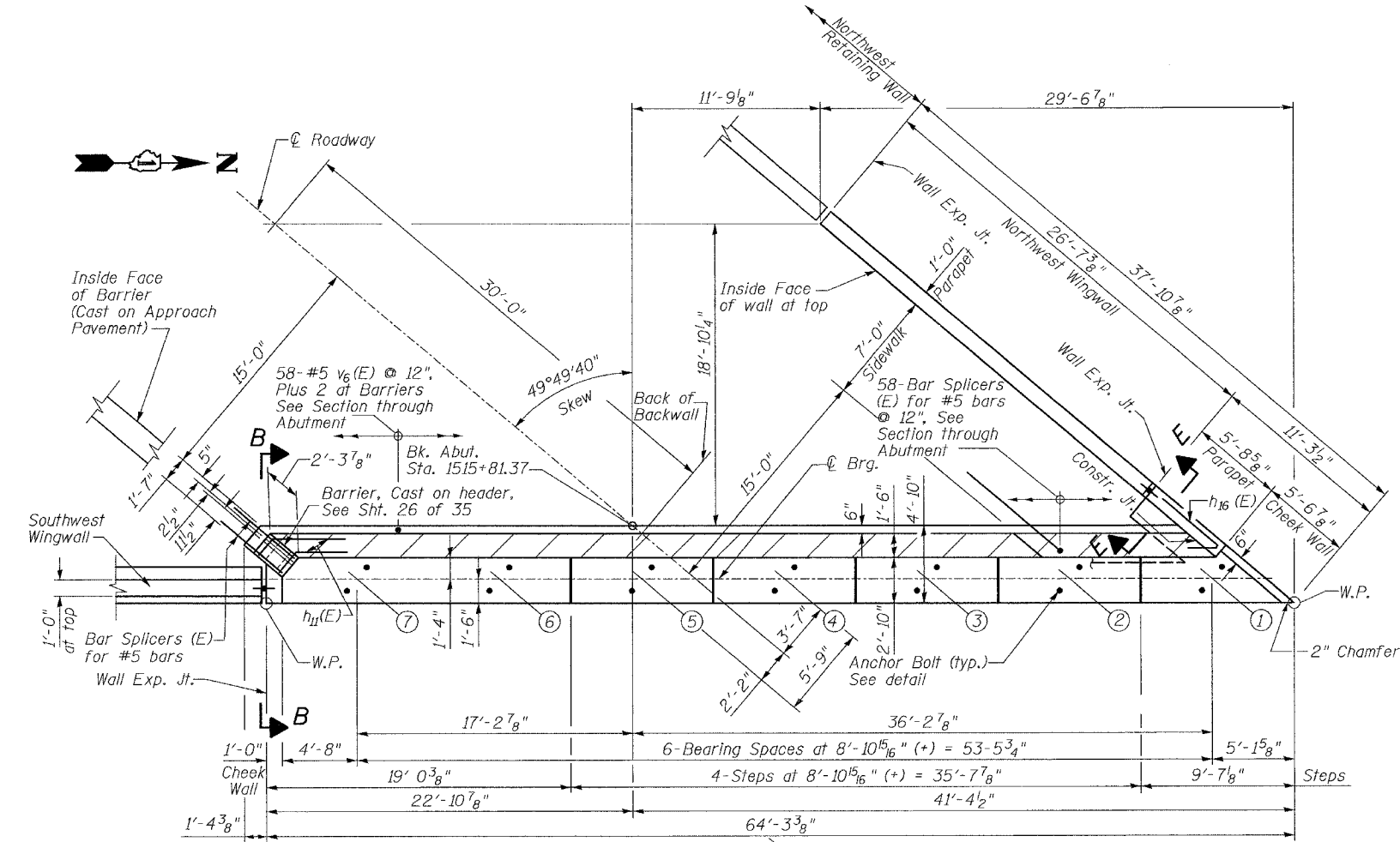


ROUTE NO. FAU 3578	SECTION 1327 B	COUNTY COOK	TOTAL SHEETS 108	SHEET NO. 47	SHEET NO. 19 35 SHEETS
FED. ROAD DIST. NO. 7		ILLINOIS	FED. AID PROJECT-		



DESIGNED	SRT
CHECKED	JJI
DRAWN	MD
CHECKED	JJI

B Bollinger, Lach & Associates, Inc.



Notes:
Reinforcement bars designated (E) shall be epoxy coated.

WEST ABUTMENT FOOTING & TOP PLAN
IL 7 (SOUTHWEST HIGHWAY) OVER US 45 (LA GRANGE ROAD)
F.A.U. ROUTE 3578 SECTION 1327B
COOK COUNTY
STA. 1516+85.79
STRUCTURE NUMBER 016-2847