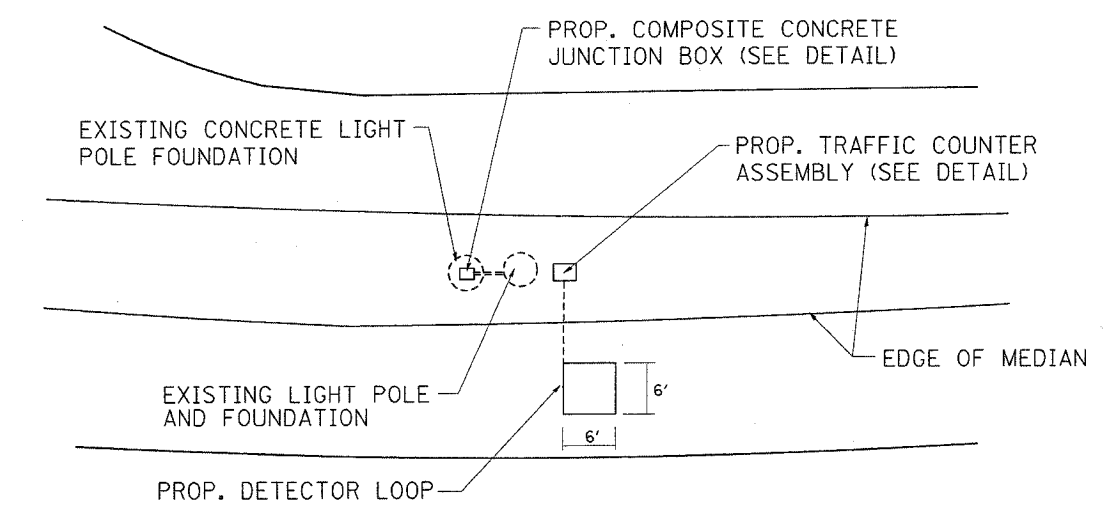
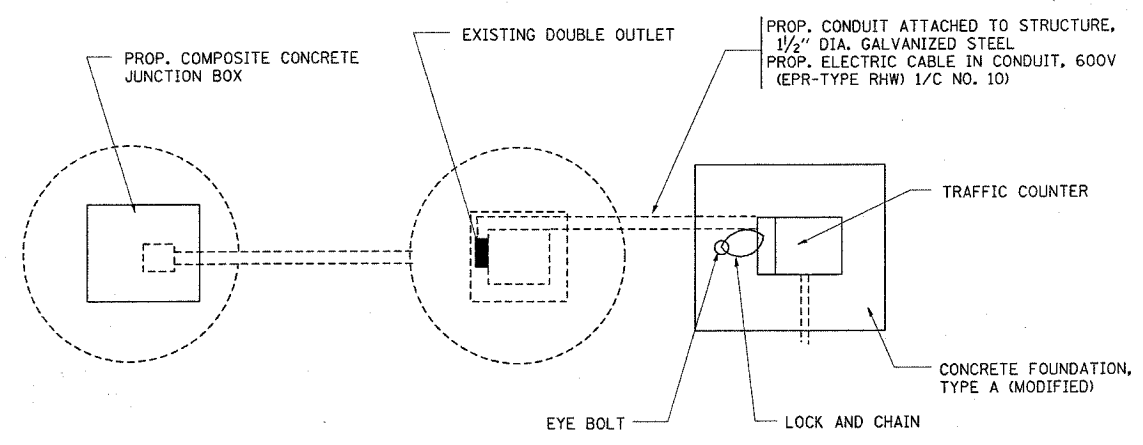


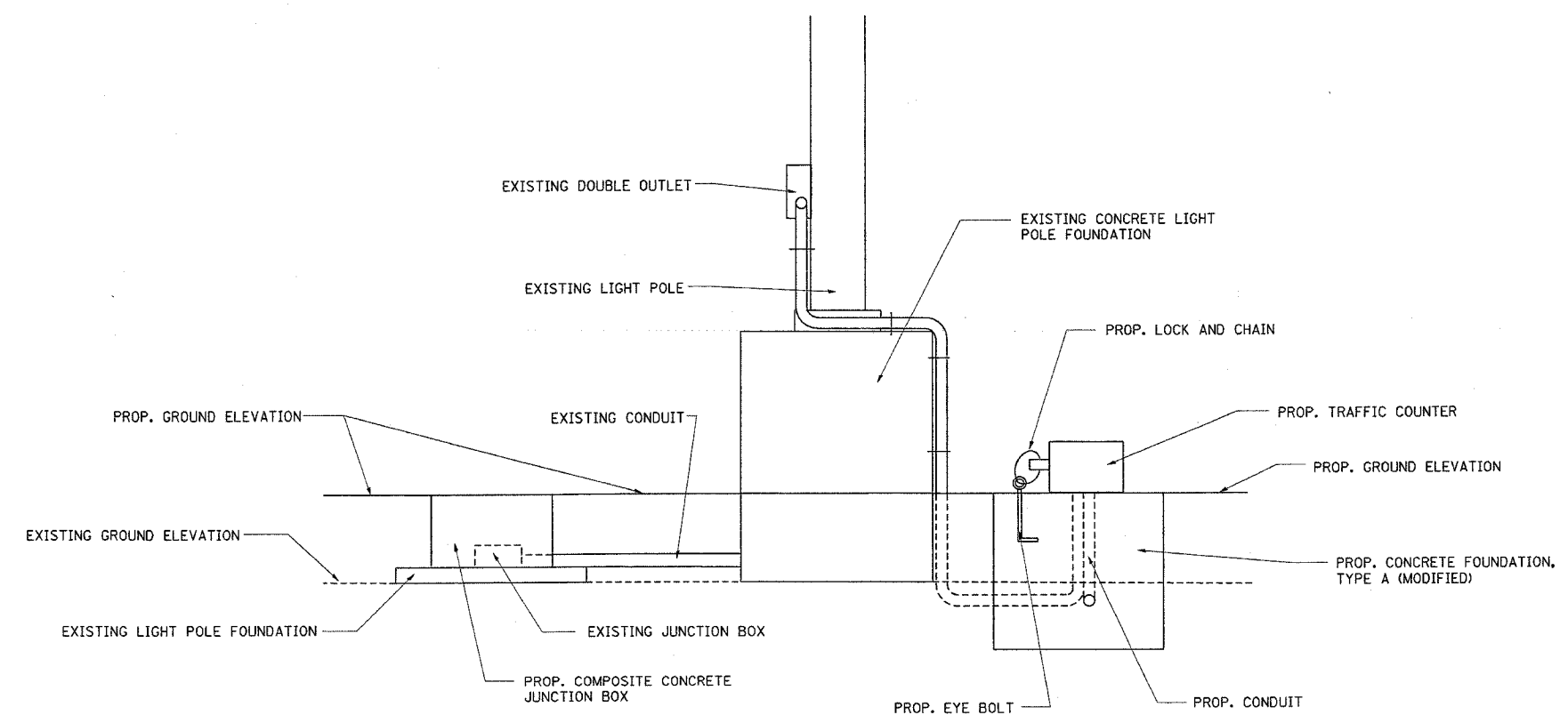
F.A.I. RTE.	SECTION	COUNTY	TOTAL SHEETS	SHEET NO.
* 2004-025 RS	LAKE	ILLINOIS	116	91
FED. ROAD DIST. NO. 1 FED. AID PROJECT				
* PARK ROADS IDNR FILE No. 2-03-025 D91-191-04				



NOTE: PROPOSED DETECTOR LOOP SHOULD EXTEND TO 3-FOOT FROM EDGE OF PROPOSED TRAVELED PAVEMENT.

BILL OF MATERIALS

ITEM	UNIT	QUANTITY
TRAFFIC COUNTER	EACH	3
COMPOSITE CONCRETE JUNCTION BOX	EACH	3
DETECTOR LOOP	FOOT	102
CONCRETE FOUNDATION, TYPE A (MODIFIED)	EACH	12
CONDUIT ATTACHED TO STRUCTURE, 1 1/2" DIA., GALVANIZED STEEL	FOOT	30
ELECTRIC CABLE IN CONDUIT, 600V (EPR-TYPE RHW) 1/C NO. 10	FOOT	180
CONDUIT IN TRENCH, 1 1/2" DIA., GALVANIZED STEEL	FOOT	30
CONDUIT EMBEDDED IN STRUCTURE, 1 1/2", GALVANIZED STEEL	FOOT	30



NOTE:
CONTRACTOR TO PROVIDE 1 CHAIN AND 1 PADLOCK MATCHING & KEYED TO EXISTING IDNR LOCKS

REVISIONS	
NAME	DATE

ILLINOIS DEPARTMENT OF TRANSPORTATION
ILLINOIS BEACH STATE PARK
NORTH POINT MARINA
TRAFFIC COUNTER DETAIL
SCALE: VERT. / HORIZ. / DATE 12/29/2005
DRAWN BY / CHECKED BY