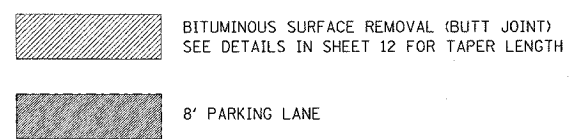
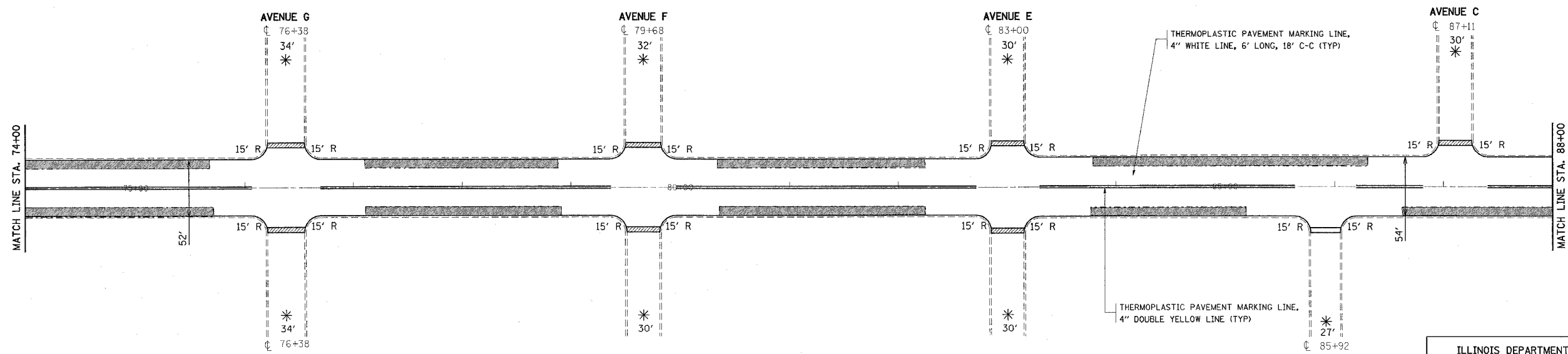
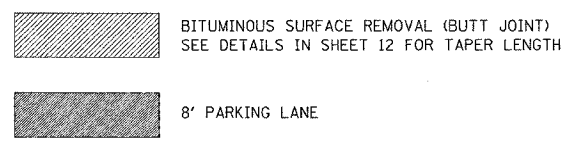
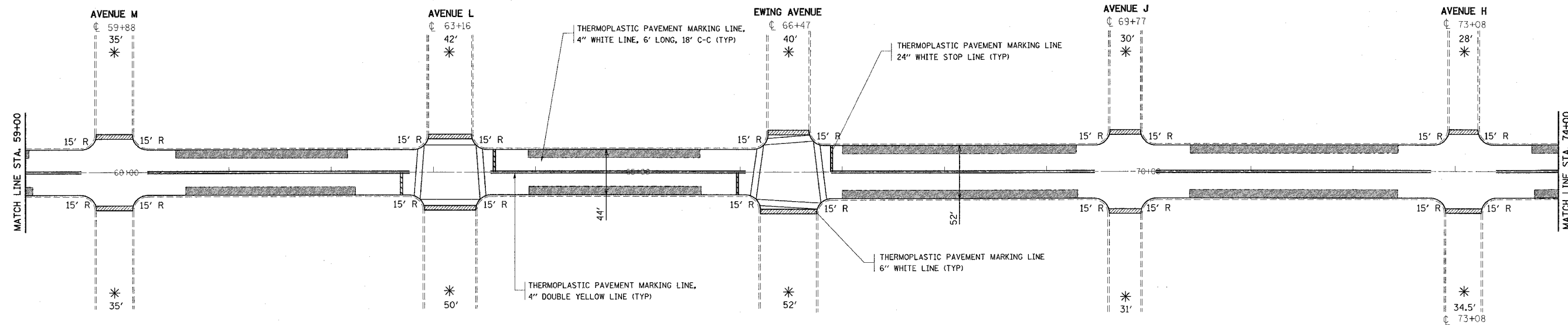


| | | | | |
|-----------------------|-----------|------------------|--------------|-----------|
| F. A. U. ETC. | SECTION | COUNTY | TOTAL SHEETS | SHEET NO. |
| 1576 | 2121 RS-2 | COOK | 18 | 7 |
| STA. | TO STA. | | | |
| FED. ROAD DIST. NO. 1 | ILLINOIS | FED. AID PROJECT | | |

62846



| REVISIONS | |
|-----------|------|
| NAME | DATE |
| | |
| | |
| | |
| | |
| | |
| | |

ILLINOIS DEPARTMENT OF TRANSPORTATION
106 TH STREET
 EXISTING AND PROPOSED
 ROADWAY PLAN
 SCALE: VERT. 1"=50'
 HORIZ. 1"=50'
 DATE 5/4/2006
 DRAWN BY SHB
 CHECKED BY

5/4/2006
 C:\p\106th\106th.dwg
 REF-
 REF-