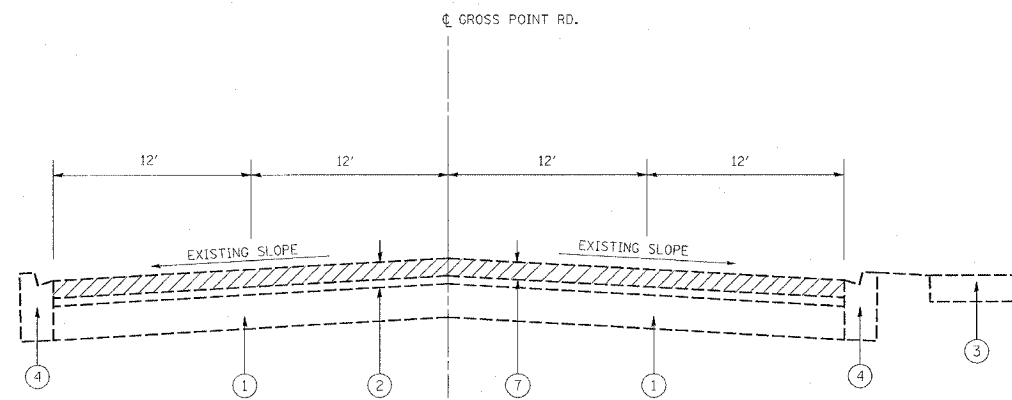
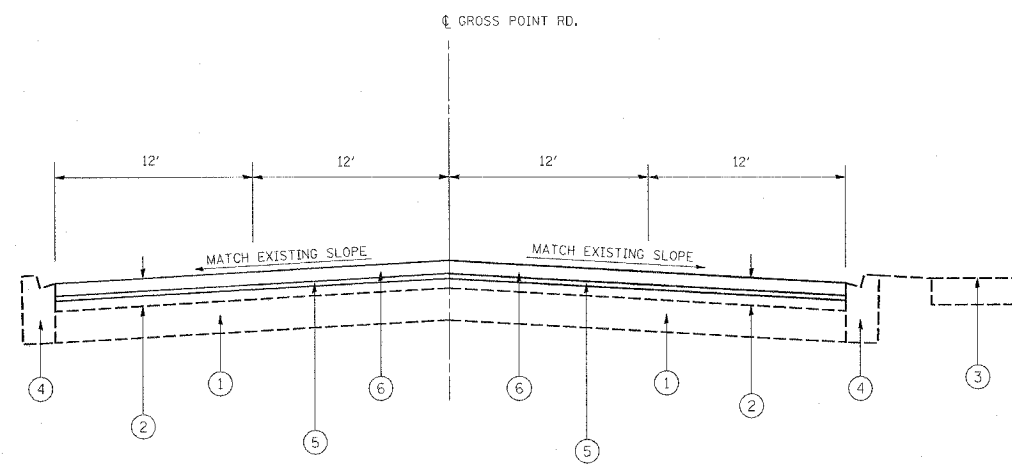


F.A.U. RTE.	SECTION	COUNTY	TOTAL SHEETS	SHEET NO.
3520	2005-001 RS	COOK	37	6
STA.		TO STA.		
FED. ROAD DIST. NO. 1		ILLINOIS FED. AID PROJECT		
CONTRACT NO. 62903				



EXISTING TYPICAL SECTION  
GROSS POINT ROAD

STATION  
68+33 TO 73+34  
&  
76+53 TO 78+86



PROPOSED TYPICAL SECTION  
GROSS POINT ROAD

STATION  
68+33 TO 73+34  
&  
76+53 TO 78+86

LEGEND

- ① EXISTING PCC BASE COURSE, 10"(±)
- ② EXISTING BIT. CONCRETE SURFACE COURSE, 3"(±)
- ③ EXISTING PCC SIDEWALK, 5"
- ④ EXISTING CURB & GUTTER  
TYPE B-6.30 EXISTS FROM STATION 68+33 TO 73+34  
TYPE B-6.24 EXISTS FROM STATION 76+53 TO 78+86
- ⑤ PROPOSED POLYMERIZED LEVELING BINDER (MM), SUPERPAVE, IL-4.75, N50, 3/4 "
- ⑥ PROPOSED BIT. CONC. SURFACE COURSE, SUPERPAVE, MIX "D", N50, 1 1/2 "
- ⑦ BITUMINOUS SURFACE REMOVAL - 2 1/4 "

PLOT DATE = 3/24/2006  
 FILE NAME = c:\projects\p104095\p104095.mxd  
 PLOT SCALE = 1/8" = 1'-0"  
 REFERENCE = SHEET

REVISIONS		ILLINOIS DEPARTMENT OF TRANSPORTATION
NAME	DATE	
		GROSS POINT RD. EXISTING AND PROPOSED TYPICAL SECTIONS
SCALE: VERT. NONE HORIZ. NONE		DRAWN BY
DATE		CHECKED BY