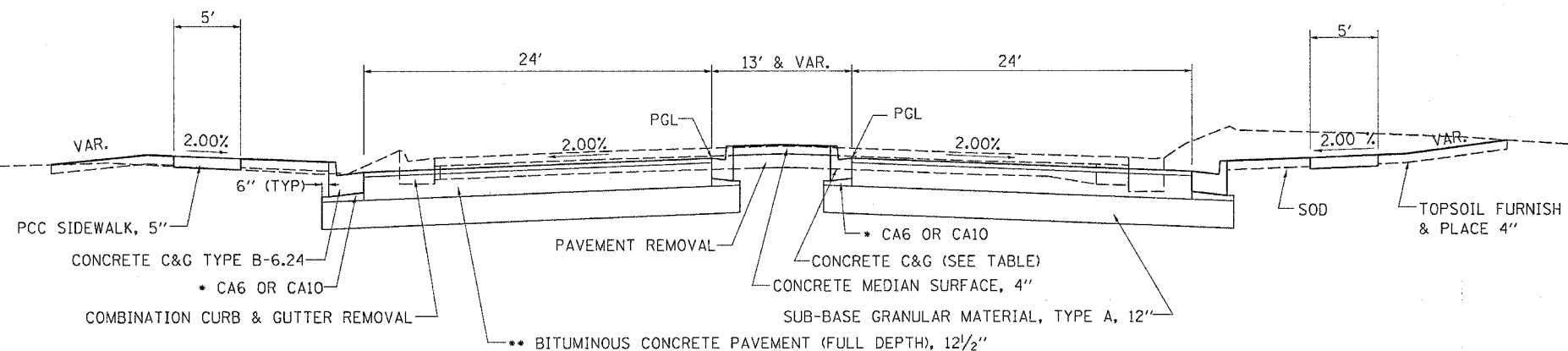


F.A.P. RTE.	SECTION	COUNTY	TOTAL SHEETS	SHEET NO.
742	40-M	WINNEBAGO	165	21
STA.		TO STA.		
FED. ROAD DIST. NO.		ILLINOIS FED. AID PROJECT		

TYPICAL SECTIONS

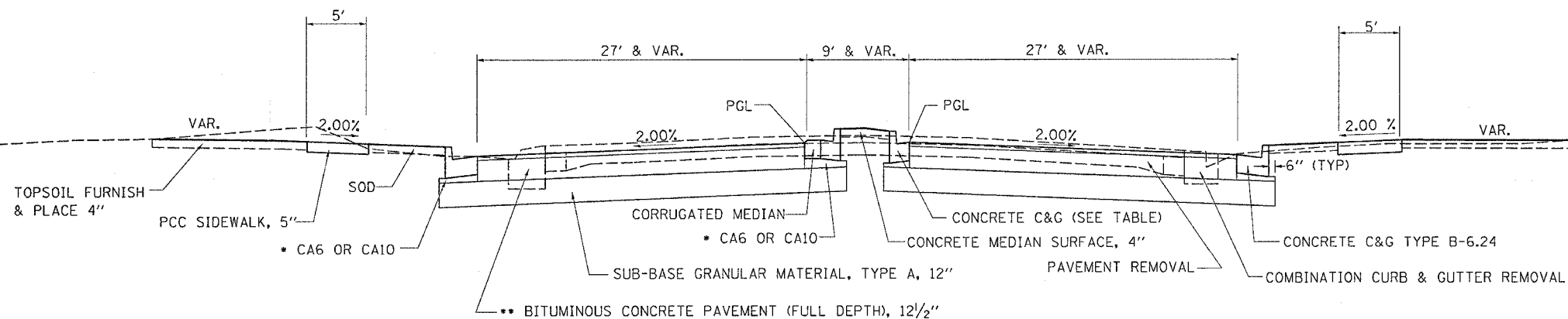
ILL 2
STA 347+28.04 TO 348+05.06



MEDIAN CONCRETE CURB & GUTTER

B-6.12	B-6.24
LT STA. 334+17 - 337+32	LT STA. 337+32 - 343+05
RT STA. 334+17 - 343+05	

ILL 2
STA 348+05.06 TO 348+74.79



- COST TO BE INCLUDED IN THE COST OF CONCRETE CURB & GUTTER OR CORRUGATED MEDIAN
- 2" POLYMERIZED CONCRETE SURFACE COURSE, SUPERPAVE, MIX D, N70 (112 LBS/SQ. YD./IN.)
- 10-1/2" POLYMERIZED BITUMINOUS CONCRETE BINDER COURSE, SUPERPAVE, IL 19.0, N70 (112 LBS/SQ. YD./IN.)

PLOT DATE = Fri Apr 21 09:35:11 2006
FILE NAME = c:\p\proj\sta 348\typ\typ.dgn
PLOT SCALE = 30.000 / IN.
USER NAME = gromm