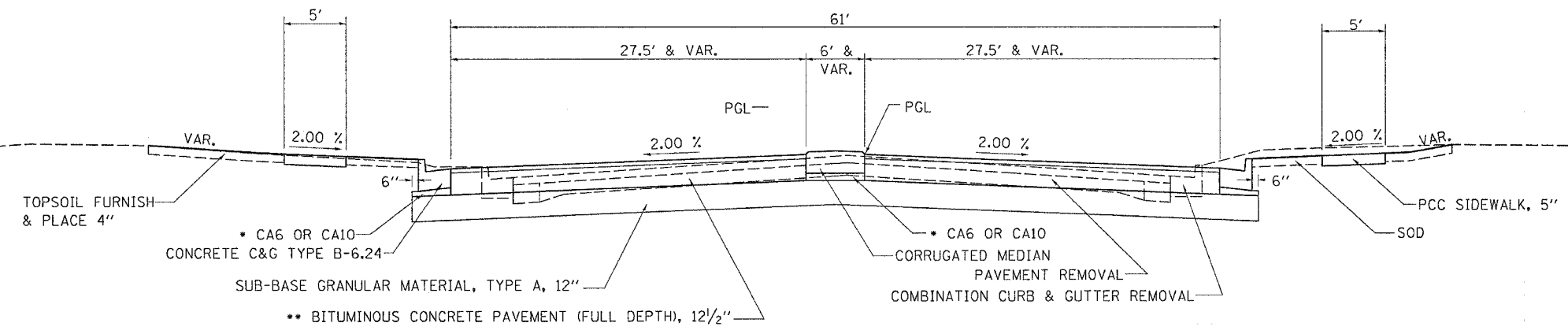


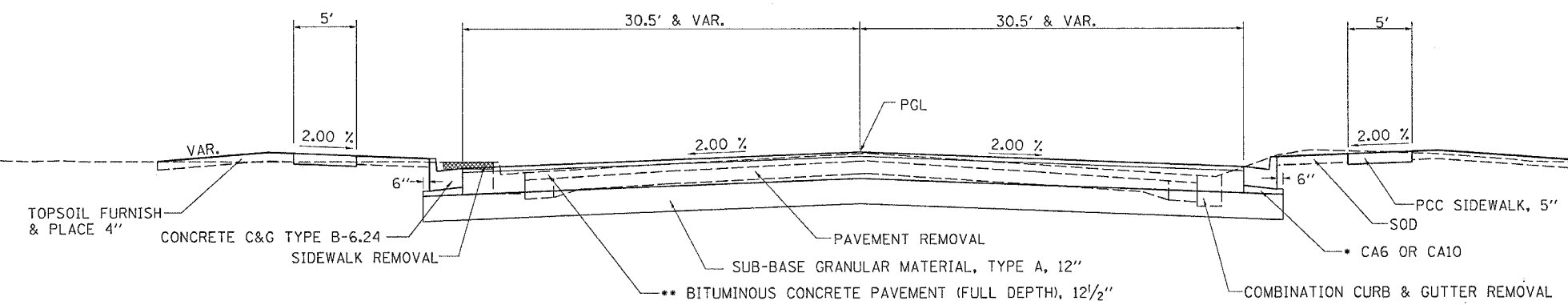
F.A.P. RTE.	SECTION	COUNTY	TOTAL SHEETS	SHEET NO.
742	40-M	WINNEBAGO	165	22
STA. TO STA.		ILLINOIS FED. AID PROJECT		

TYPICAL SECTIONS

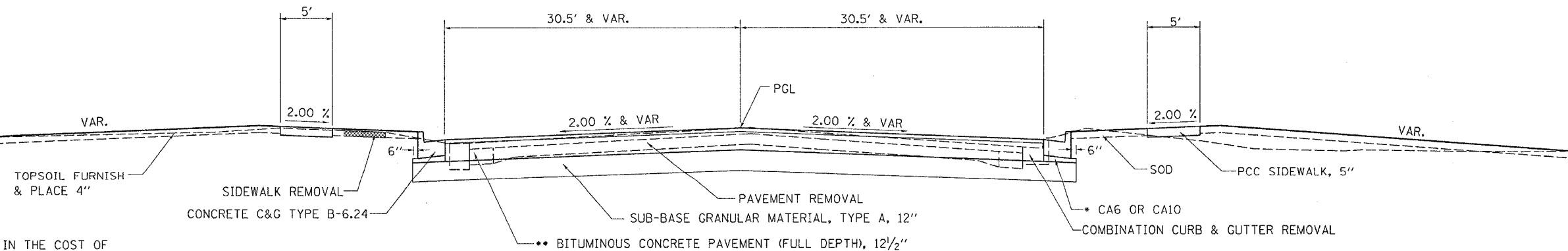
ILL 2
STA 348+74.79 TO 349+54.03



ILL 2
STA 349+54.03 TO 350+00.00



ILL 2
STA 350+00.00 TO 350+50.01



- COST TO BE INCLUDED IN THE COST OF CONCRETE CURB & GUTTER OR CORRUGATED MEDIAN
- 2" POLYMERIZED CONCRETE SURFACE COURSE, SUPERPAVE, MIX D, N70 (112 LBS/SQ. YD./IN.)
- 10-1/2" POLYMERIZED BITUMINOUS CONCRETE BINDER COURSE, SUPERPAVE, IL 19.0, N70 (112 LBS/SQ. YD./IN.)

PLOT DATE = Fri, Apr 21 09:25:11 2006
FILE NAME = c:\p\proj\msta\34825002\050202.tpd.dgn
PLOT SCALE = 5/8" = 1' IN.
USER NAME = gman1pm