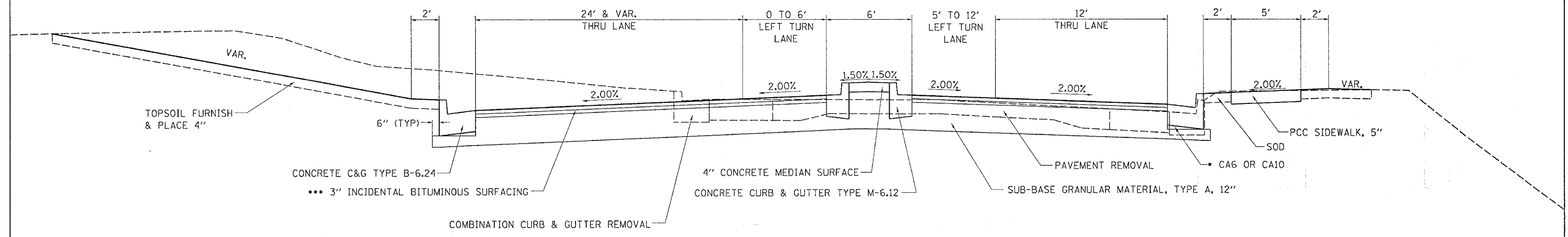


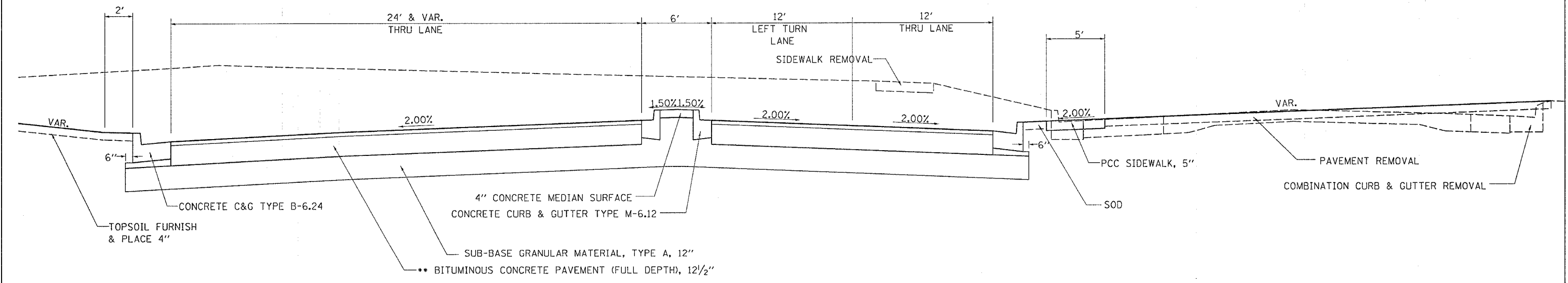
F.A.P. RTE.	SECTION	COUNTY	TOTAL SHEETS	SHEET NO.
742	40-M	WINNEBAGO	165	24
STA.		TO STA.		
FED. ROAD DIST. NO.		ILLINOIS	FED. AID PROJECT	

TYPICAL SECTIONS

CLIFTON AVENUE STA 30+50 TO 31+26.05



CLIFTON AVENUE STA 31+26.05 TO 32+25



- COST TO BE INCLUDED IN THE COST OF CONCRETE CURB & GUTTER OR CORRUGATED MEDIAN
- 2" POLYMERIZED CONCRETE SURFACE COURSE, SUPERPAVE, MIX D, N70 (112 LBS/SQ. YD./IN.)
- 10-1/2" POLYMERIZED BITUMINOUS CONCRETE BINDER COURSE, SUPERPAVE, IL 19.0, N70 (112 LBS/SQ. YD./IN.)
- PLACE IN TWO (2) LIFTS

PLOT DATE = Fri Apr 21 09:35:11 2006
 FILE NAME = c:\p1\p181\p181.dwg
 PLOT SCALE = 50.00 / 1 IN.
 USER NAME = gventon