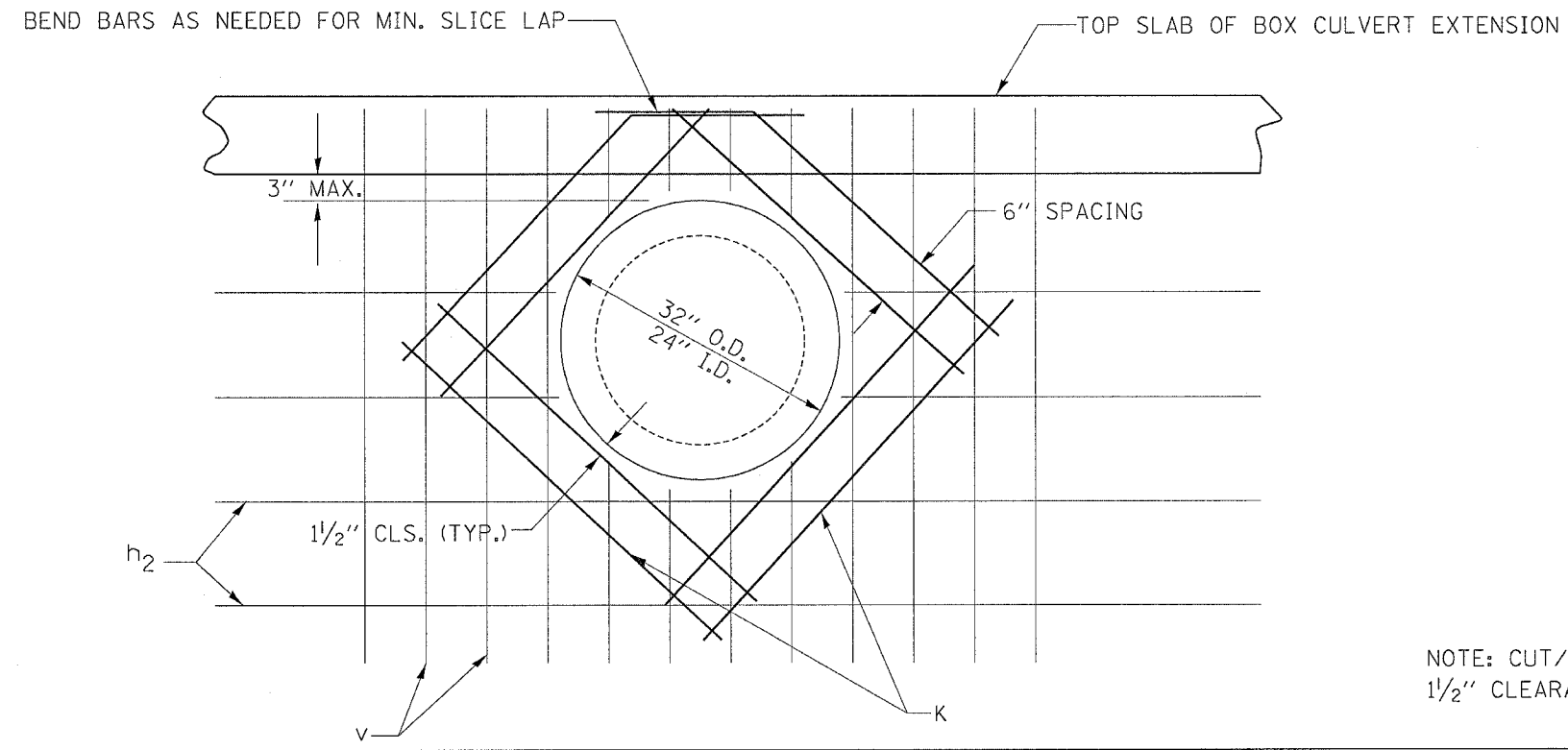


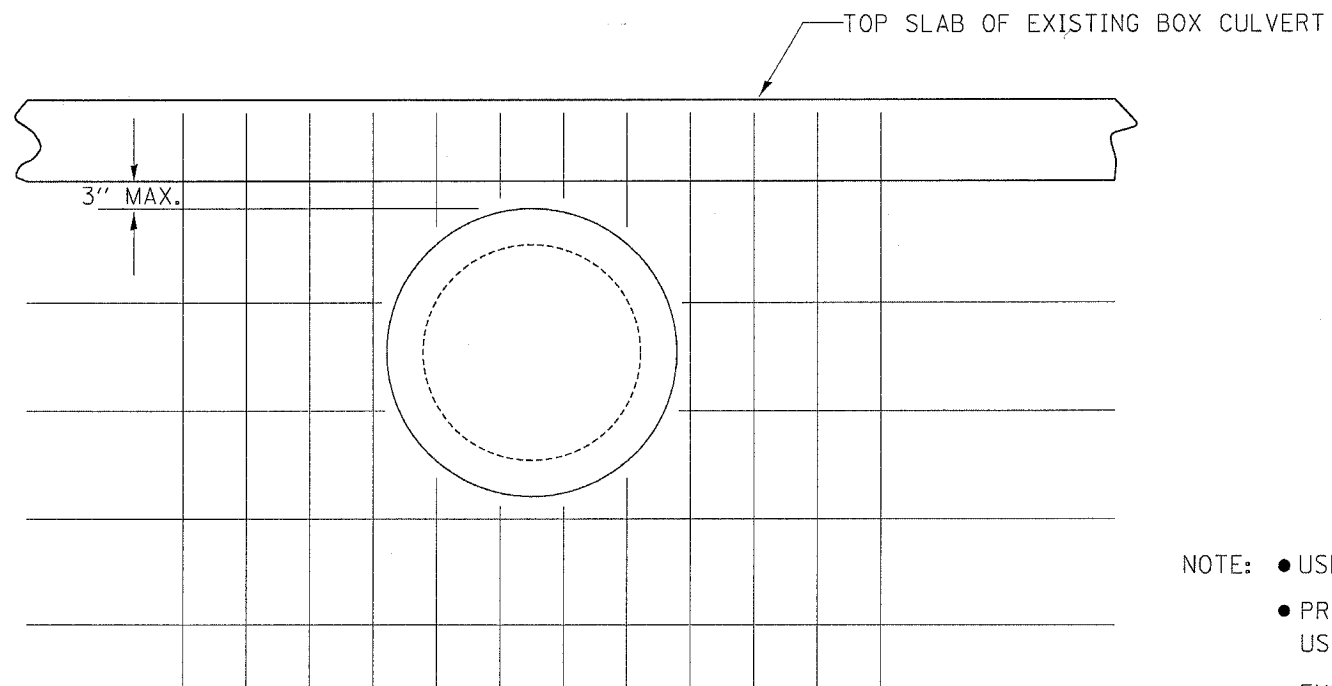
F.A.P. RTE.	SECTION	COUNTY	TOTAL SHEETS	SHEET NO.
742	40-M	WINNEBAGO	165	86A
STA.		TO STA.		
FED. ROAD DIST. NO.		ILLINOIS	FED. AID PROJECT	

PROPOSED STORM SEWER INTO PROPOSED BOX CULVERT EXTENSION



NOTE: CUT/TRIM h_2 AND v BARS AS NEEDED TO PROVIDE 1 1/2" CLEARANCE AROUND STORM SEWER PIPE.

PROPOSED STORM SEWER INTO EXISTING BOX CULVERT



- NOTE:
- USE EXISTING 48" OPENING FOR PROPOSED 48" STORM SEWER.
 - PROPOSED LEFT SIDE 24" STORM SEWER OPENING TO BE MADE USING HAND EQUIPMENT APPROVED BY THE ENGINEER.
 - EXISTING BOX CULVERT WALL TO BE SAW CUT FULL DEPTH.
 - THE COST OF THIS WORK SHALL BE INCLUDED IN THE VARIOUS CONTRACT UNIT PRICES FOR STORM SEWER.