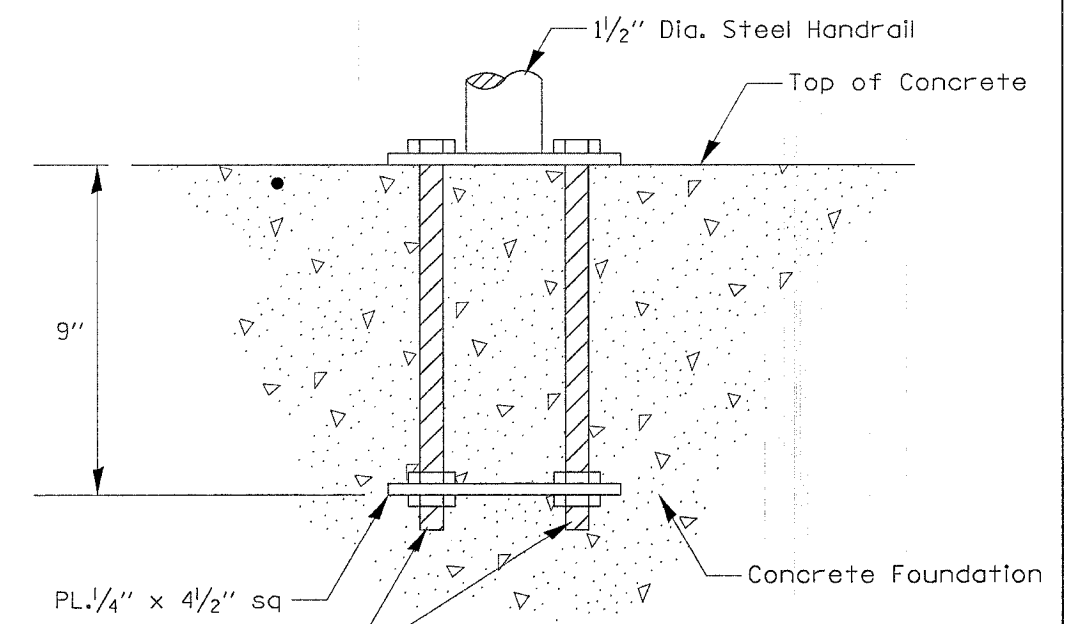
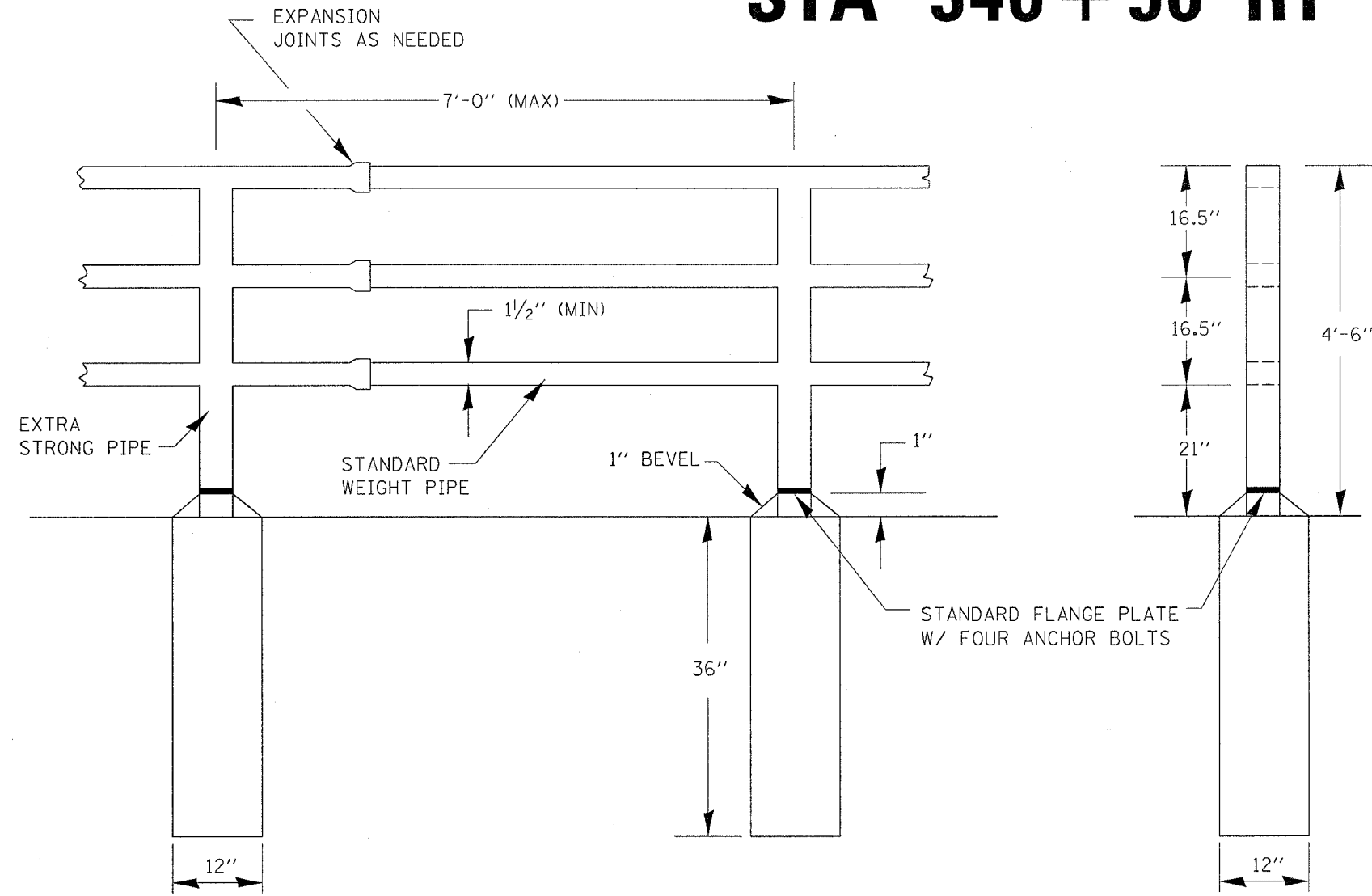


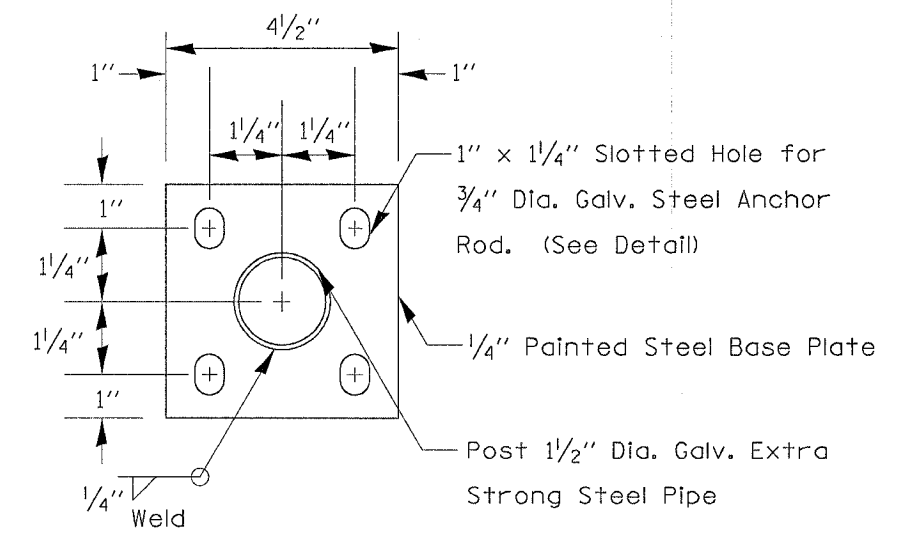
F.A.P. RTE.	SECTION	COUNTY	TOTAL SHEETS	SHEET NO.
742	40-M	WINNEBAGO	165	99
STA.		TO STA.		
FED. ROAD DIST. NO.	ILLINOIS	FED. AID PROJECT		

PIPE HANDRAIL SPECIAL DETAIL

STA 340+50 RT



ANCHOR ROD DETAIL
(Included in the cost of Hand Rail)



POST BASE PLATE DETAIL
(Included in the cost of Hand Rail)

NOTES:

- HANDRAIL SHALL CONFORM TO SECTION 510 OF THE STANDARD SPECIFICATIONS
- HANDRAILS SHALL NOT ROTATE WITHIN THEIR FITTINGS
- ANCHOR BOLTS SHALL BE INCLUDED IN THE CONTRACT UNIT PRICE PER FOOT FOR; PIPE HANDRAIL, SPECIAL
- CONCRETE FOUNDATIONS TO BE PAID FOR SEPARATELY
- 24" DEPTH OF CONCRETE FOUNDATION SHALL BE IN DIRECT CONTACT WITH SOIL HAVING MIN $Q_u=1.0$
- THIS WORK SHALL BE PAID FOR AT THE CONTRACT UNIT PRICE PER FOOT FOR PIPE HANDRAIL, SPECIAL