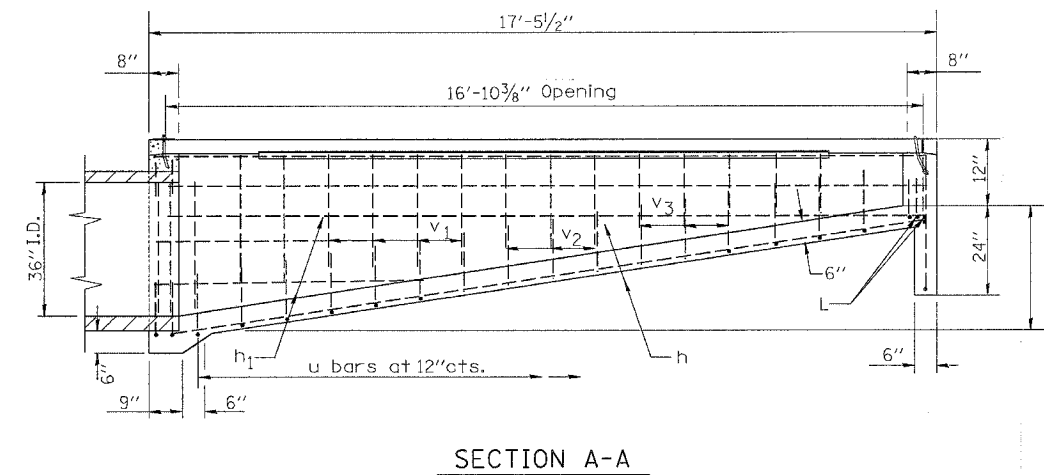
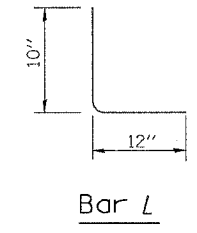


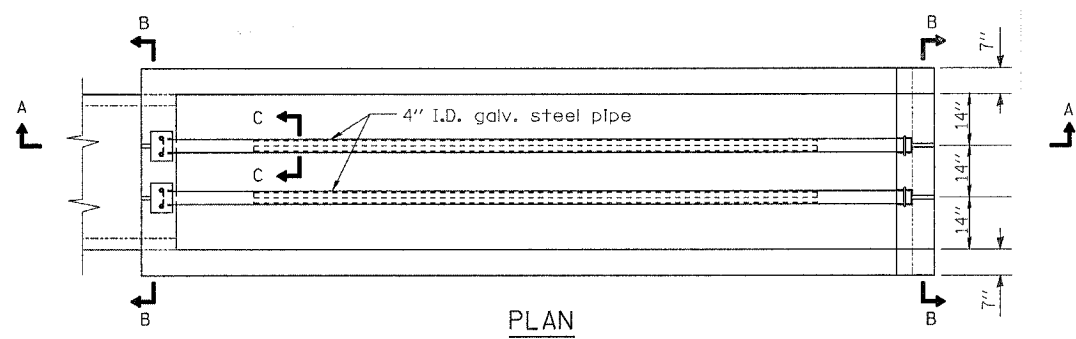
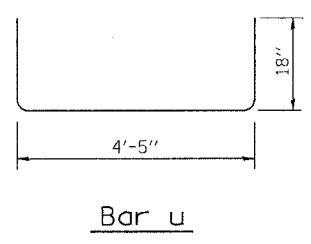
F.A.P. RTE.	SECTION	COUNTY	TOTAL SHEETS	SHEET NO.
742	40-M	WINNEBAGO	165	100
STA.		TO STA.		
FED. ROAD DIST. NO.		ILLINOIS FED. AID PROJECT		

# GRATED INLET SPECIAL STA 336 + 60 LT



Material required for one inlet box

Bar	Qty.	Size	Length
h	9	No. 4	17'-0"
h <sub>1</sub>	4	No. 4	6'-3"
L	6	No. 4	22"
u	21	No. 4	7'-5"
v	10	No. 4	36"
v <sub>1</sub>	8	No. 4	30"
v <sub>2</sub>	6	No. 4	24"
v <sub>3</sub>	10	No. 4	18"
Concrete	cu. yds.		3.7
Reinf. Bars	lbs.		285
Galv. Steel Pipe	4" I.D.	2 at 16'-10 1/8"	
Galv. Steel Angle	2"x2"x3/8"	2 at 12'-10"	



Sketch showing location and direction of box in relation to centerline of ditch.

