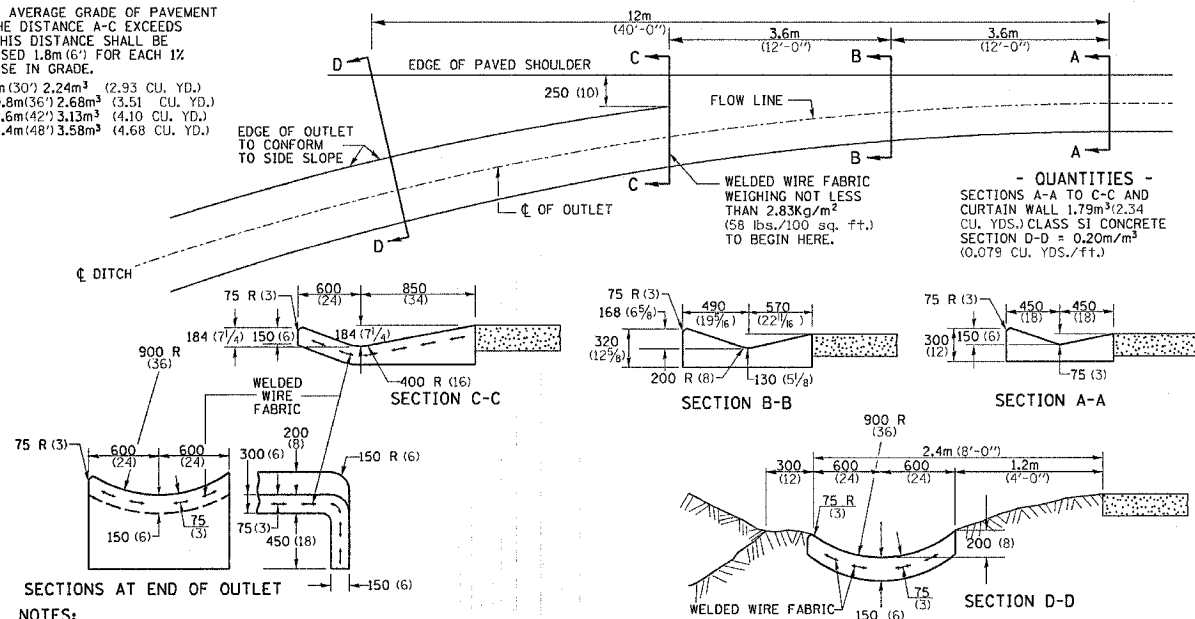


F.A.P. RTE.	SECTION	COUNTY	TOTAL SHEETS	SHEET NO.
742	40-M	WINNEBAGO	165	104
STA.		TO STA.		
FED. ROAD DIST. NO.	ILLINOIS	FED. AID PROJECT		

GUTTER OUTLET ADJACENT TO STABILIZED SHOULDER

NOTE:
IF THE AVERAGE GRADE OF PAVEMENT FOR THE DISTANCE A-C EXCEEDS 2%, THIS DISTANCE SHALL BE INCREASED 1.8m (6') FOR EACH 1% INCREASE IN GRADE.

- 3 % 9m (30') 2.24m³ (2.93 CU. YD.)
- 4 % 10.8m (36') 2.68m³ (3.51 CU. YD.)
- 5 % 12.6m (42') 3.13m³ (4.10 CU. YD.)
- 6 % 14.4m (48') 3.58m³ (4.68 CU. YD.)



NOTES:
CLASS SI CONCRETE SHALL BE USED THROUGHOUT.
THE GUTTER OUTLET WILL BE PAID FOR AT THE CONTRACT UNIT PRICE PER M³ FOR CLASS SI CONCRETE (OUTLETS), WHICH PRICE SHALL INCLUDE THE COST OF THE WELDED WIRE FABRIC REINFORCEMENT

ALL DIMENSIONS ARE IN MILLIMETERS (INCHES) UNLESS OTHERWISE NOTED.

GUTTER OUTLET ADJACENT TO STABILIZED SHOULDER 15.4

REVISED 5-4-94

CATCH BASIN OR INLETS TO BE ADJUSTED OR RECONSTRUCTED (DETAILS FOR CURB & GUTTER REPLACEMENT)

CONCRETE CURB AND GUTTER SHALL BE CONSTRUCTED IN ACCORDANCE WITH SECTION 606 OF THE STANDARD SPECIFICATIONS, SUPPLEMENTAL SPECIFICATIONS, STANDARD 606001 AND THIS DRAWING.

CLASS SI CONCRETE SHALL BE USED THROUGHOUT. A HOLE 40 (1 1/2) IN DIAMETER AND 225 (9) DEEP SHALL BE DRILLED IN THE EXISTING CONCRETE CURB AS SHOWN. A 32x450 (1 1/4 X 18) SMOOTH DOWEL BAR SHALL BE GROUTED IN THE HOLE LONGITUDINALLY.

JOINTS OF A TYPE SIMILAR TO THAT IN THE UNDERLYING PAVEMENT (EXPANSION OR CONTRACTION) SHALL BE INSTALLED IN THE CONCRETE CURB IN ALIGNMENT WITH THE JOINTS IN THE PAVEMENT.

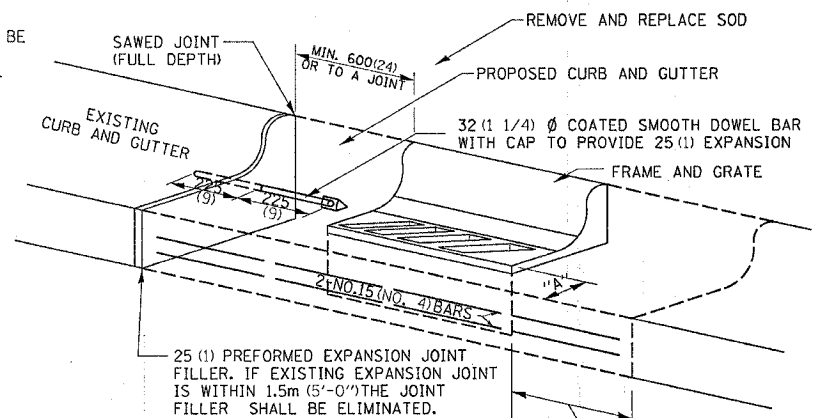
THE PROPOSED CONFIGURATION OF THE CURB AND GUTTER SHALL MATCH THAT REMOVED.

THE LOCATION OF THE DOWEL BAR SHALL BE DETERMINED BY THE ENGINEER.

ALL EXISTING TIE BARS IN EDGE OF PAVEMENT SLAB THRU REPLACEMENT AREA SHALL BE CUT OFF.

THE WORK SHALL BE DONE IN ACCORDANCE WITH SECTION 602 OF THE STANDARD SPECIFICATIONS AND INCLUDES THE REMOVAL AND REPLACEMENT OF SOD, CONCRETE PAVEMENT AND/OR CURB AND GUTTER ADJACENT TO CATCH BASINS OR INLETS TO BE ADJUSTED OR RECONSTRUCTED AND SHALL BE INCLUDED IN THE PAY ITEM OF CATCH BASINS OR INLETS TO BE ADJUSTED OR RECONSTRUCTED AS SPECIFIED.

ALL DIMENSIONS ARE IN MILLIMETERS (INCHES) UNLESS OTHERWISE NOTED.



WHEN "A" IS GREATER THAN 50 (2), 2-NO. 15 (NO. 4) BARS SHALL BE PLACED AS SHOWN.

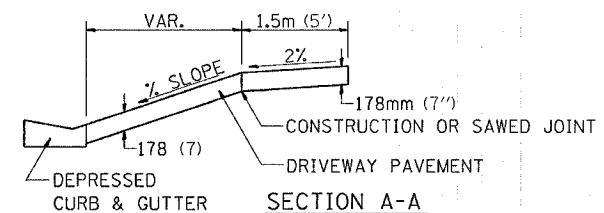
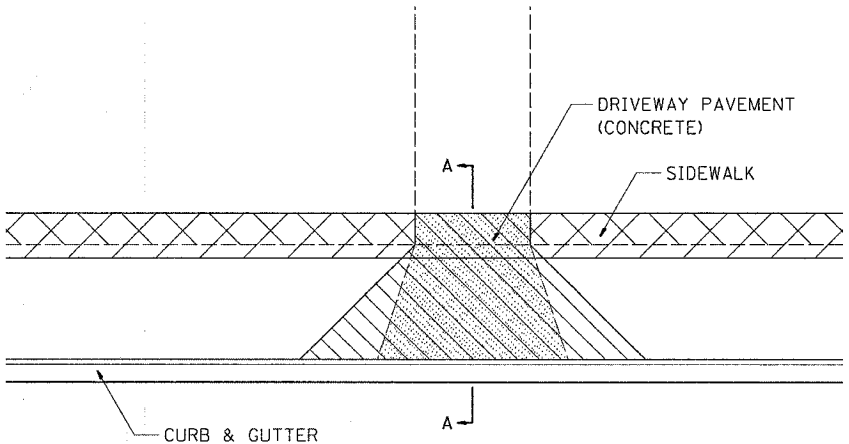
SAME REPAIR AS INDICATED ON OTHER SIDE OF FRAME AND GRATE.

CATCH BASIN OR INLETS TO BE ADJUSTED OR RECONSTRUCTED 17.4a

REVISED 5-4-94

SIDEWALK AND DRIVEWAY PAVEMENT PAY AREAS

- PAY FOR AS
- SIDEWALK REMOVAL
 - DRIVEWAY PAVEMENT REMOVAL
 - PCC SIDEWALK 127 (5)
 - PCC DRIVEWAY PAVEMENT 178 (7)



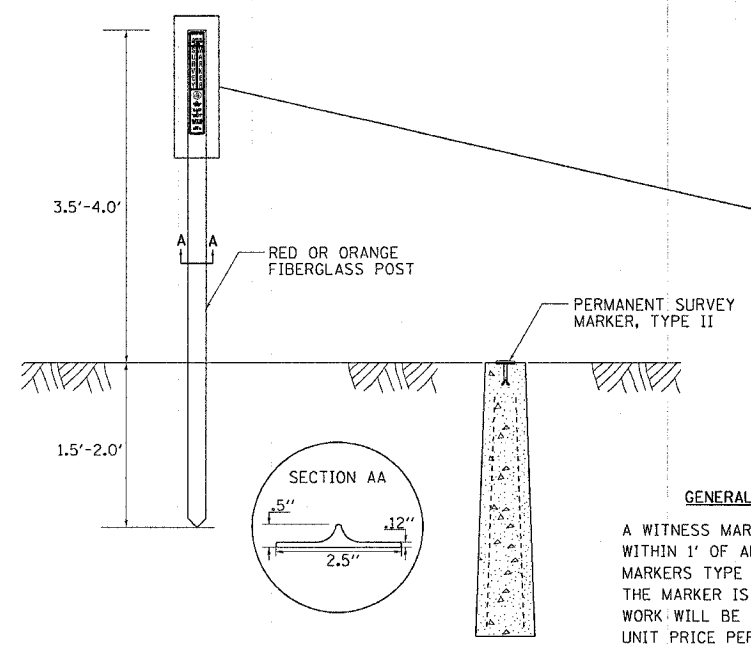
FOR DETAILS ON DIMENSIONS AND GRADES, SEE DISTRICT STANDARD 25.1 OR PLANS.

ALL DIMENSIONS ARE IN MILLIMETERS (INCHES) UNLESS OTHERWISE NOTED.

SIDEWALK AND DRIVEWAY PAVEMENT PAY AREAS 35.4

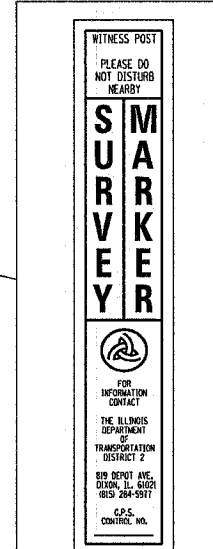
REVISED 10-15-04

WITNESS MARKER FOR PERMANENT SURVEY MARKERS TYPE II



GENERAL NOTES

A WITNESS MARKER SHALL BE INSTALLED WITHIN 1' OF ALL PERMANENT SURVEY MARKERS TYPE II EXCEPT IN AREAS WHERE THE MARKER IS IN THE SIDEWALK. THIS WORK WILL BE INCLUDED TO THE CONTRACT UNIT PRICE PER EACH FOR PERMANENT SURVEY MARKERS, TYPE II.



WITNESS MARKER FOR PERMANENT SURVEY MARKERS TYPE II 38.4

REVISED 1-31-00

PLOT DATE = Mon Apr 03 11:12:59 2006
C:\p06\proj\64820\64820.dwg
PLOT SCALE = 50.0000 1:1
REFERENCE = SHEET 8