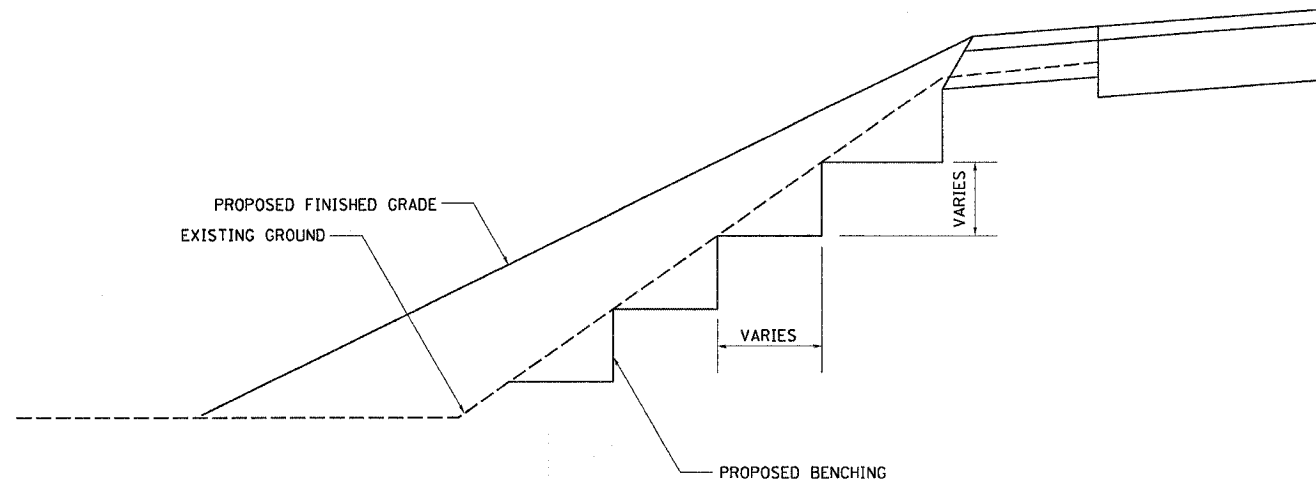


TYPICAL BENCHING ON EXISTING EMBANKMENT

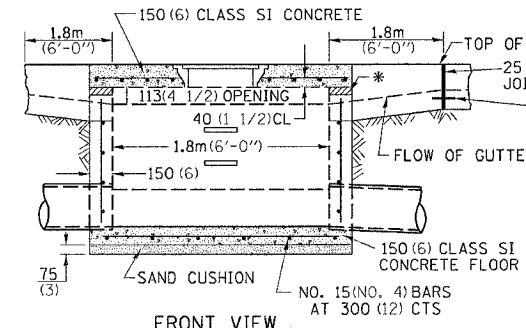


TYPICAL BENCHING ON EXISTING EMBANKMENT 50.4

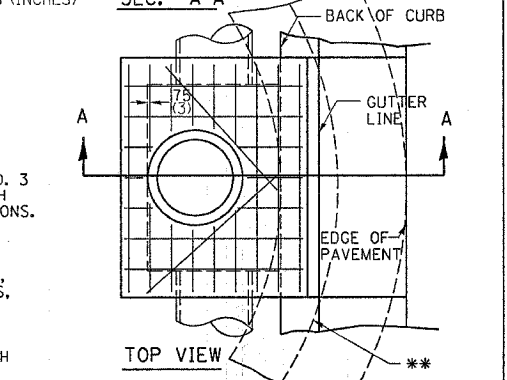
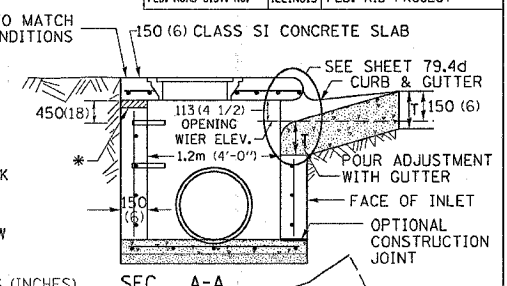
REVISED 2-22-06

INLET SPECIAL NO. 3

CONTRACT NO. 64820			
F.A.P. RTE.	SECTION	COUNTY	TOTAL SHEETS
742	40-M	WINNEBAGO	165
STA.		TO STA.	
FED. ROAD DIST. NO.		ILLINOIS FED. AID PROJECT	



150(6) CLASS SI CONCRETE
1.8m (6'-0")
1.8m (6'-0")
TOP OF CURB
25 (1) PREFORMED EXPANSION JOINT FILLER
32 (1 1/4) DOWEL BAR
113(4 1/2) OPENING
40 (1 1/2)CL
1.8m (6'-0")
150 (6)
FLOW OF GUTTER
150 (6) CLASS SI CONCRETE FLOOR
75 (3)
SAND CUSHION
NO. 15 (NO. 4) BARS AT 300 (12) CTS



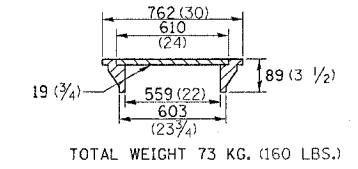
FRONT VIEW

NOTES

SEE STANDARD 602701 FOR DETAILS OF STEPS.
25 (1) PREFORMED EXPANSION JOINTS AS SHOWN SHALL BE PROVIDED ON EACH SIDE OF INLET.
CLASS SI CONCRETE OR PRECAST CONCRETE SHALL BE USED THROUGHOUT.
THE SIDE WALLS MAY BE BUILT AS PRECAST SEGMENTAL SECTIONS.
REINFORCEMENT FOR INLET SPECIAL #3 SHALL BE ACCORDING TO DISTRICT STANDARD 79.4e

NOTES

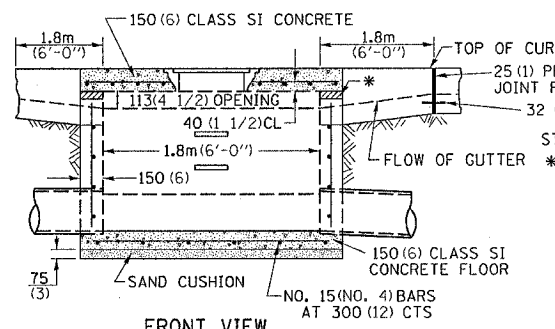
STEPS SHALL BE OMITTED WHEN DEPTH OF INLET IS LESS THAN 1.5 m (5 ft.)
THE INLET SHALL BE CAST IN PLACE OR PRECAST.
EXCEPT AS NOTED HEREON INLET SPECIAL NO. 3 SHALL BE CONSTRUCTED IN ACCORDANCE WITH SECTION 602 OF THE STANDARD SPECIFICATIONS.
THE CONTRACT UNIT PRICE EACH FOR INLET SPECIAL NO. 3 SHALL INCLUDE THE COST OF FURNISHING AND INSTALLING THE FRAME, LID, REINFORCEMENT BARS, FLOOR AND TOP SLABS, CAST IRON STEPS (IF USED).
THE CURB AND GUTTER WILL BE PAID FOR SEPARATELY AND WILL BE MEASURED THROUGH THE INLET.
THE CURB AND GUTTER ADJACENT TO AND 1.8m (6 FT) ON EITHER SIDE OF THE INLET SHALL BE CONSTRUCTED AS SHOWN WITH NO ADDITIONAL COMPENSATION FOR THE TRANSITION.



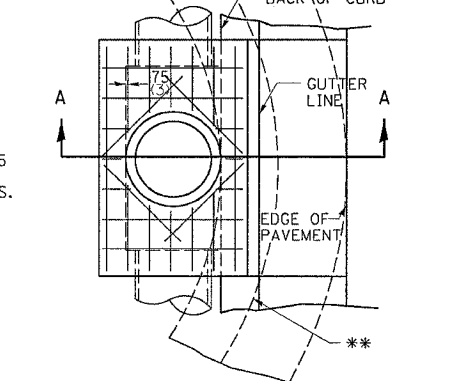
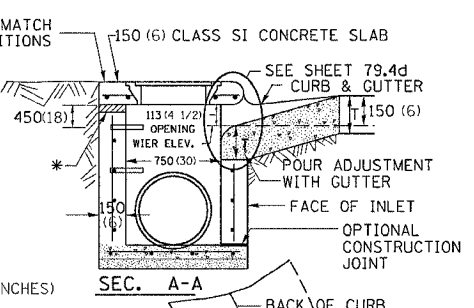
INLET SPECIAL NO. 3 79.4

REVISED 4-4-05

INLET SPECIAL NO. 5



150(6) CLASS SI CONCRETE
1.8m (6'-0")
1.8m (6'-0")
TOP OF CURB
25 (1) PREFORMED EXPANSION JOINT FILLER
32 (1 1/4) DOWEL BAR
113(4 1/2) OPENING
40 (1 1/2)CL
1.8m (6'-0")
150 (6)
FLOW OF GUTTER
150 (6) CLASS SI CONCRETE FLOOR
75 (3)
SAND CUSHION
NO. 15 (NO. 4) BARS AT 300 (12) CTS



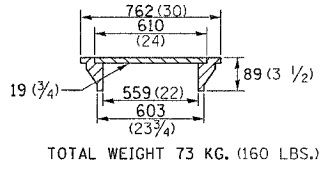
FRONT VIEW

NOTES

SEE STANDARD 602701 FOR DETAILS OF STEPS.
25 (1) PREFORMED EXPANSION JOINTS AS SHOWN SHALL BE PROVIDED ON EACH SIDE OF INLET.
CLASS SI CONCRETE OR PRECAST CONCRETE SHALL BE USED THROUGHOUT.
THE SIDE WALLS MAY BE BUILT AS PRECAST SEGMENTAL SECTIONS.
REINFORCEMENT FOR INLET SPECIAL NO. 5 SHALL BE ACCORDING TO DISTRICT STANDARD 79.4e

NOTES

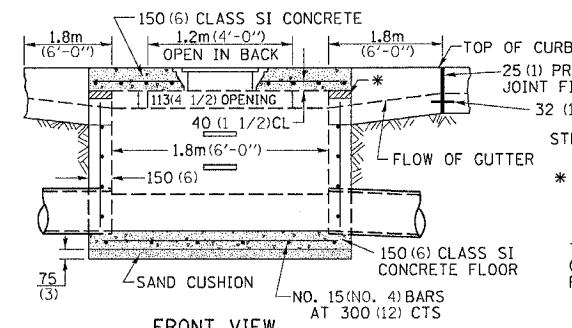
STEPS SHALL BE OMITTED WHEN DEPTH OF INLET IS LESS THAN 1.5 m (5 ft.)
THE INLET SHALL BE CAST IN PLACE OR PRECAST.
EXCEPT AS NOTED HEREON INLET SPECIAL NO. 5 SHALL BE CONSTRUCTED IN ACCORDANCE WITH SECTION 602 OF THE STANDARD SPECIFICATIONS.
THE CONTRACT UNIT PRICE EACH FOR INLET SPECIAL NO. 5 SHALL INCLUDE THE COST OF FURNISHING AND INSTALLING THE FRAME, LID, REINFORCEMENT BARS, FLOOR AND TOP SLABS, CAST IRON STEPS (IF USED).
THE CURB AND GUTTER WILL BE PAID FOR SEPARATELY AND WILL BE MEASURED THROUGH THE INLET.
THE CURB AND GUTTER ADJACENT TO AND 1.8m (6 FT) ON EITHER SIDE OF THE INLET SHALL BE CONSTRUCTED AS SHOWN WITH NO ADDITIONAL COMPENSATION FOR THE TRANSITION.



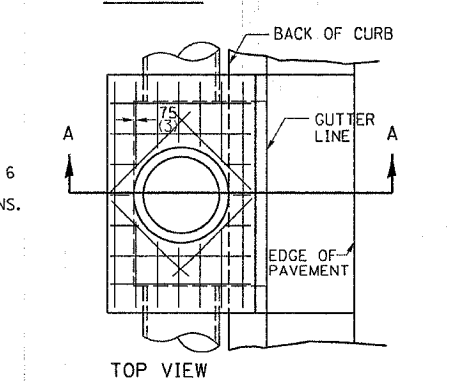
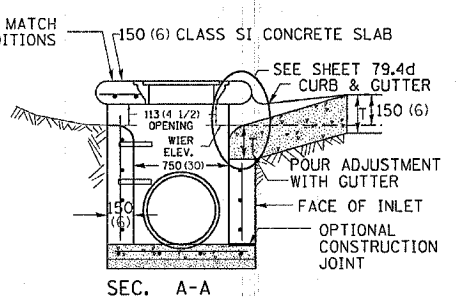
INLET SPECIAL NO. 5 79.4b

REVISED 4-4-05

INLET SPECIAL NO. 6



150(6) CLASS SI CONCRETE
1.8m (6'-0")
1.2m (4'-0") OPEN IN BACK
1.8m (6'-0")
TOP OF CURB
25 (1) PREFORMED EXPANSION JOINT FILLER
32 (1 1/4) DOWEL BAR
113(4 1/2) OPENING
40 (1 1/2)CL
1.8m (6'-0")
150 (6)
FLOW OF GUTTER
150 (6) CLASS SI CONCRETE FLOOR
75 (3)
SAND CUSHION
NO. 15 (NO. 4) BARS AT 300 (12) CTS



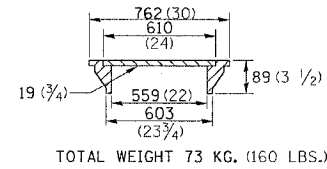
FRONT VIEW

NOTES

SEE STANDARD 602701 FOR DETAILS OF STEPS.
25 (1) PREFORMED EXPANSION JOINTS AS SHOWN SHALL BE PROVIDED ON EACH SIDE OF INLET.
CLASS SI CONCRETE OR PRECAST CONCRETE SHALL BE USED THROUGHOUT.
THE SIDE WALLS MAY BE BUILT AS PRECAST SEGMENTAL SECTIONS.
REINFORCEMENT FOR INLET SPECIAL NO. 6 SHALL BE ACCORDING TO DISTRICT STANDARD 79.4e

NOTES

STEPS SHALL BE OMITTED WHEN DEPTH OF INLET IS LESS THAN 1.5 m (5 ft.)
THE INLET SHALL BE CAST IN PLACE OR PRECAST.
EXCEPT AS NOTED HEREON INLET SPECIAL NO. 6 SHALL BE CONSTRUCTED IN ACCORDANCE WITH SECTION 602 OF THE STANDARD SPECIFICATIONS.
THE CONTRACT UNIT PRICE EACH FOR INLET SPECIAL NO. 6 SHALL INCLUDE THE COST OF FURNISHING AND INSTALLING THE FRAME, LID, REINFORCEMENT BARS, FLOOR AND TOP SLABS, CAST IRON STEPS (IF USED).
THE CURB AND GUTTER WILL BE PAID FOR SEPARATELY AND WILL BE MEASURED THROUGH THE INLET.
THE CURB AND GUTTER ADJACENT TO AND 1.8m (6 FT) ON EITHER SIDE OF THE INLET SHALL BE CONSTRUCTED AS SHOWN WITH NO ADDITIONAL COMPENSATION FOR THE TRANSITION.



INLET SPECIAL NO. 6 79.4c

REVISED 4-4-05

PLOT DATE = Mon Apr 03 11:25:51 2006
 PLOT SCALE = 50.000
 PLOT REFERENCE = REF#*