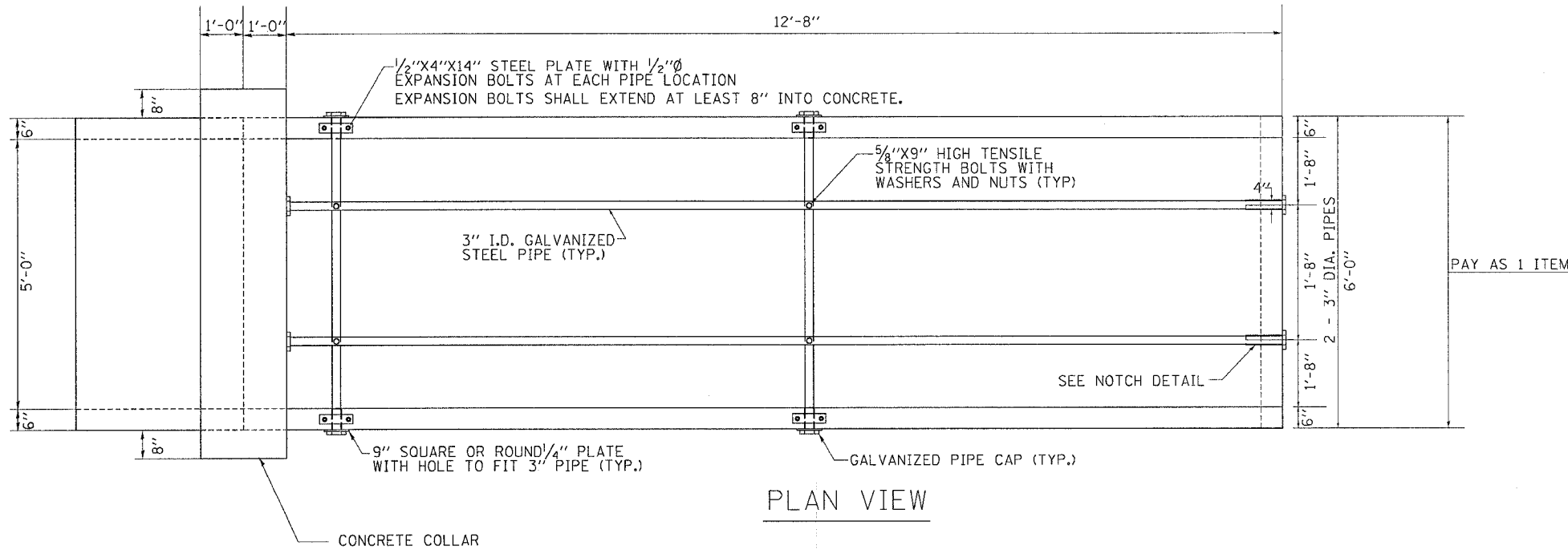
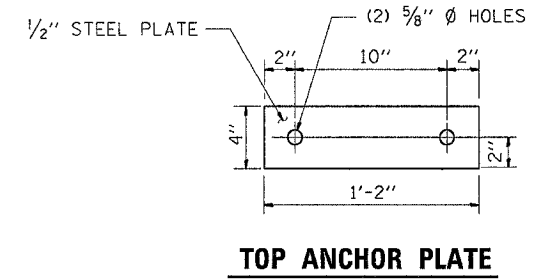
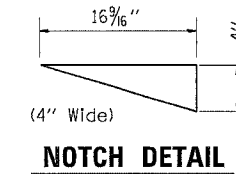


F.A.P. RTEL.	SECTION	COUNTY	TOTAL SHEETS	SHEET NO.
301	21-T	STEPHENSON	49	22
STA.		TO STA.		
FED. ROAD DIST. NO.		ILLINOIS FED. AID PROJECT		

GRATED CULVERT EXTENSION NO. 1 & 2

RT /LT STA. 467 + 70.16
RT /LT STA. 477 + 43.65

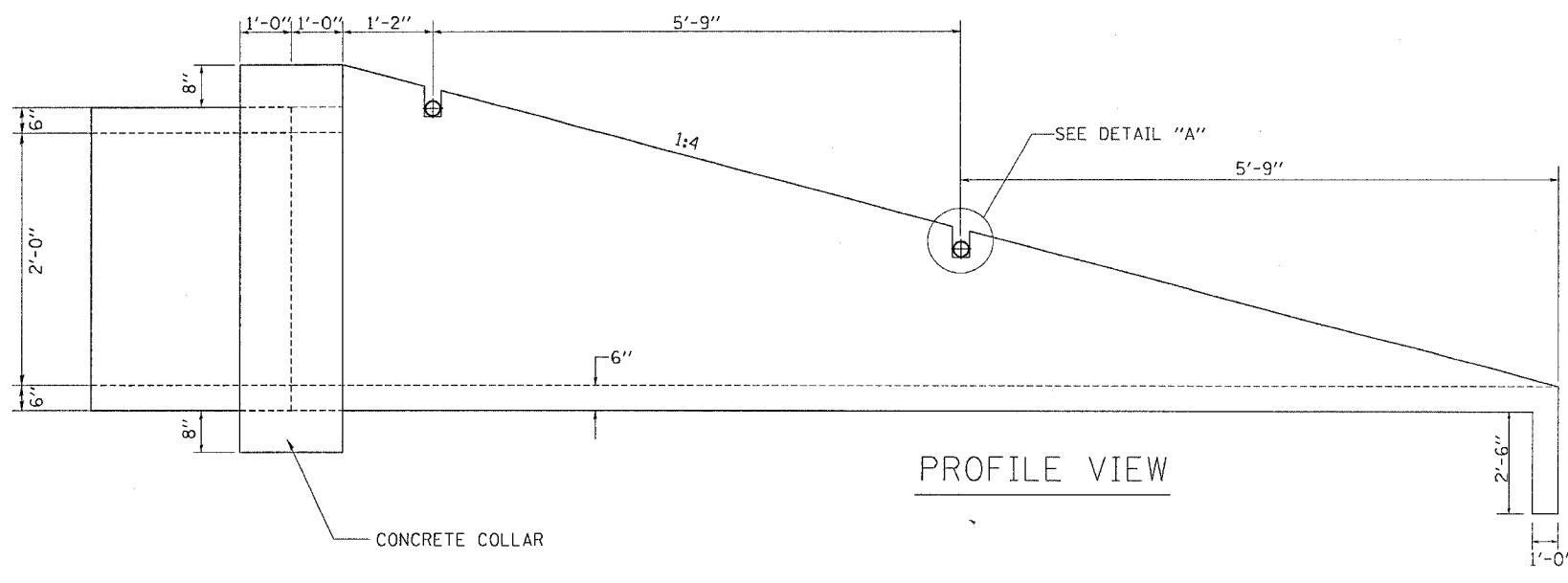
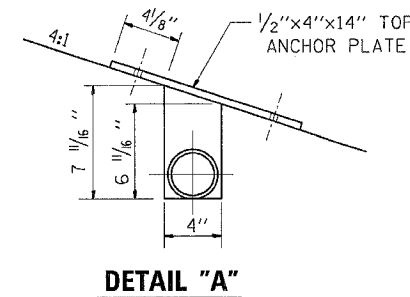


BILL OF MATERIALS (FOR ONE EXTENSION)

DESCRIPTION	UNIT	QTY.
3" I.D. Galvanized Steel Pipe	2e	13'-0"
3" Galv Pipe Caps	EACH	8
1/4" Galv. Stl. Plate (9" Nominal)	EACH	4
1/2"x4"x14" Galv. Steel Plate	EACH	4
5/8"x9" Galv. Steel Bolts	EACH	4
Expansion Bolts 1/2"Ø	EACH	8

GENERAL NOTES:

- Slope flow line of the extension at the same rate as the flow line of the box.
- Bolts, Nuts, and Washers shall be in accordance with Article 710.11 of the standard specification and shall be galvanized.
- The contract unit price "Each" for Grated Culvert Extension No. 1 & 2 shall be of precast construction. It shall also include the Class SI Concrete for the Collar, Galvanized Pipe, Bolts, Nuts, Washers, Steel Plates and Reinforcement Bars. Collar shall be constructed according to District Standard 33.1
- Steel pipes shall conform to A.S.T.M. A-53 (Type E or S) Grade B, Schedule 40, and shall be galvanized conforming to A.S.T.M. A-120. Contractor shall field verify pipe length.
- Steel Plates shall conform to AASHTO M-183 and shall be galvanized conforming to AASHTO M-111.
- SEE PLAN AND PROFILE SHEET FOR MORE INFORMATION
SEE CULVERT LOCATION PLANS FOR MORE INFORMATION
SEE CULVERT STAGING PLANS FOR MORE INFORMATION
- Grated Culvert End Section shall be precast. If contractor elects to use cast-in place grated culvert extension, reinforcement bars shall be designed by contractor. The materials, fabrication, and construction of grated culvert extension are subject to approval by the engineer.
- Expansion bolts shall conform to AASHTO M270M Grade 250 (M270 Grade 36)



DATE TIME
DRAWN SPEC
REF
REF
REF