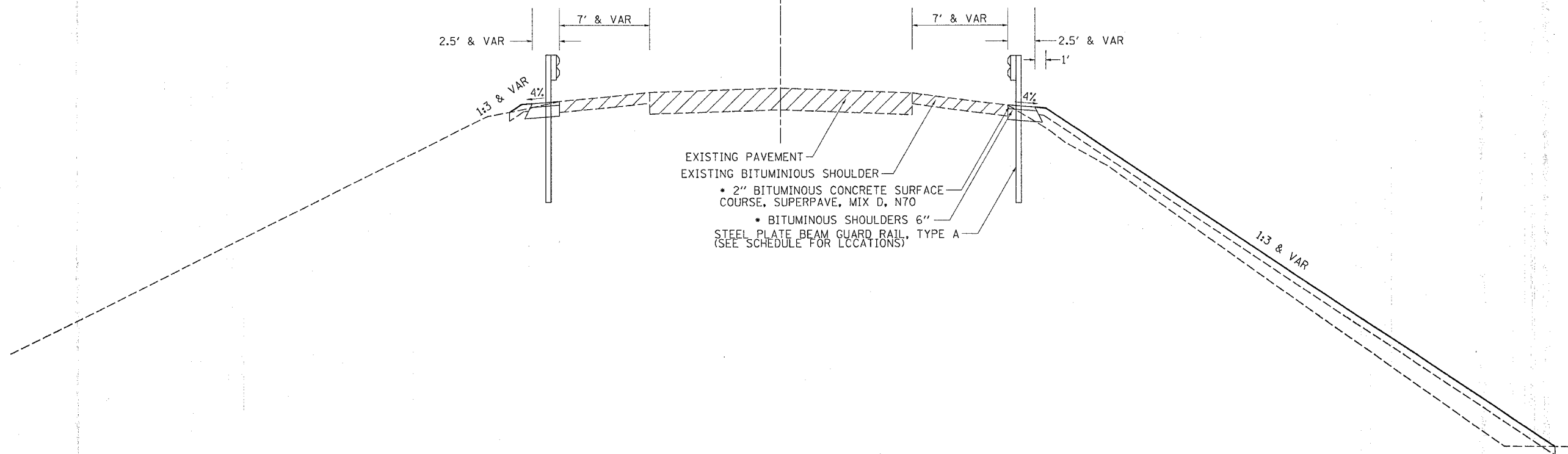


F.A.P. RTE.	SECTION	COUNTY	TOTAL SHEETS	SHEET NO.
301	28BR-1	JO DAVIESS	53	5
STA.		TO STA.		
FED. ROAD DIST. NO.	ILLINOIS	FED. AID PROJECT		

TYPICAL SECTIONS

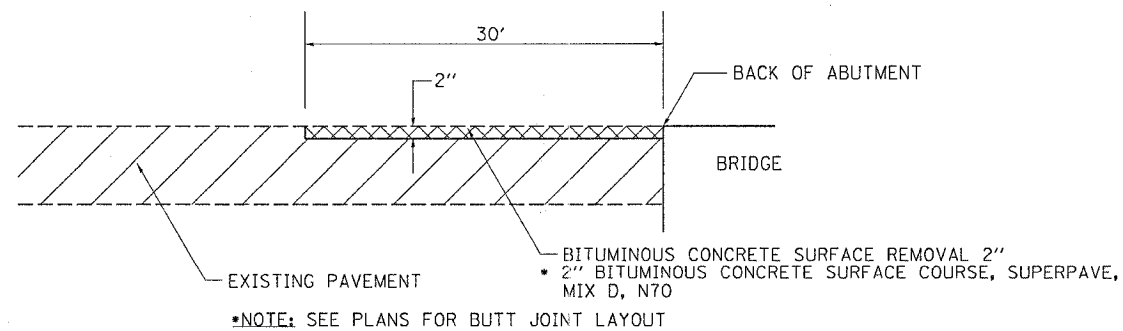
STA. 1429+60.92 - STA. 1432+93.38
 STA. 1436+21.85 - STA. 1439+06.73

☐ US 20



BITUMINOUS SURFACE REMOVAL

STA. 1432+83.38 - STA. 1433+13.37
 STA. 1436+01.82 - STA. 1436+31.85



PLOT DATE = Thu, Mar 20, 08:22:18, 2008
 FILE NAME = c:\yco\msta\14328338\14331337\14360182\14363185\14363185.dgn
 PLOT SCALE = 5/8" = 1' / IN.
 USER NAME = meg11j

• 112 LBS/ SY/ IN