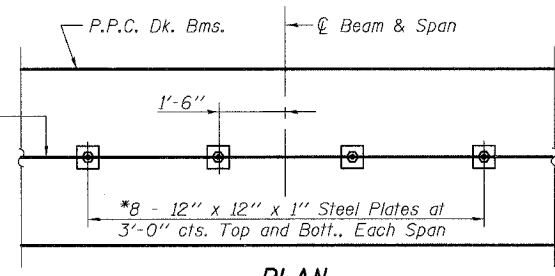
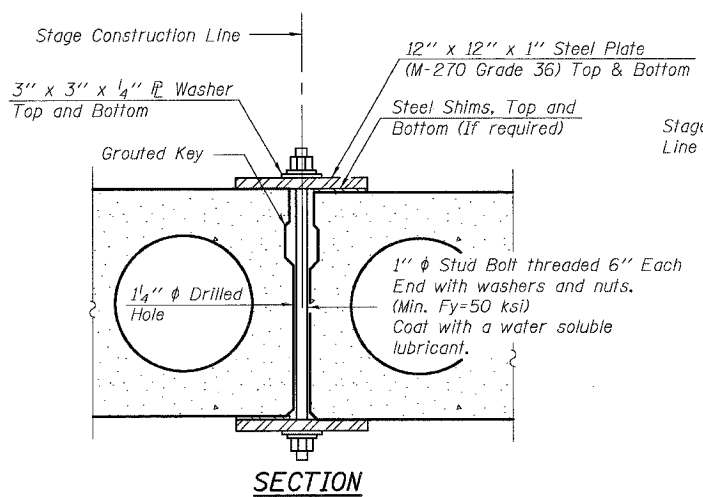
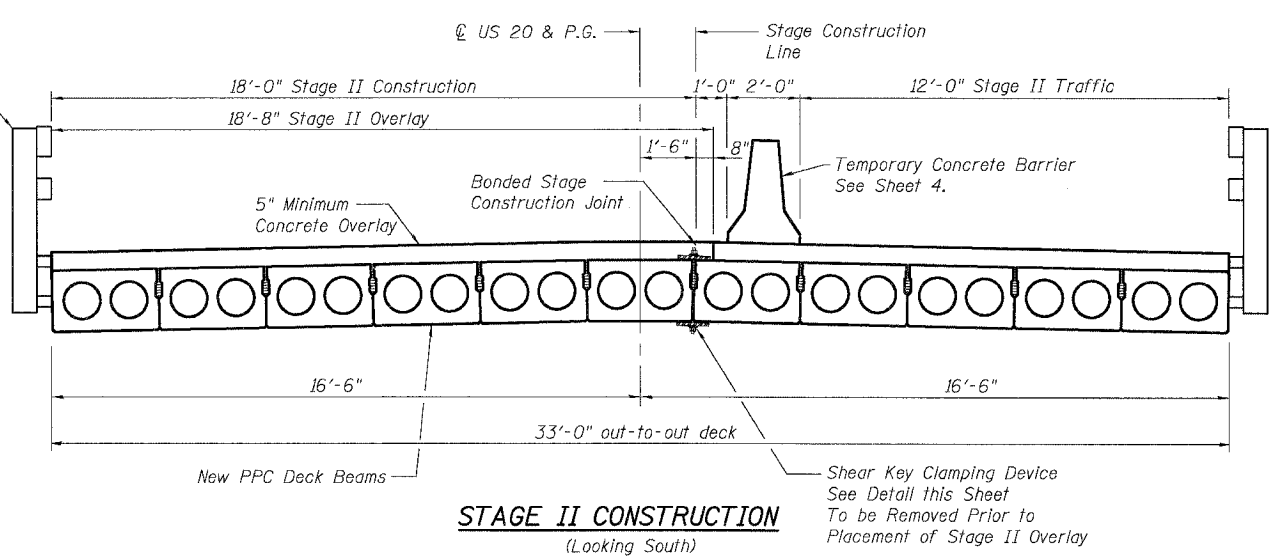
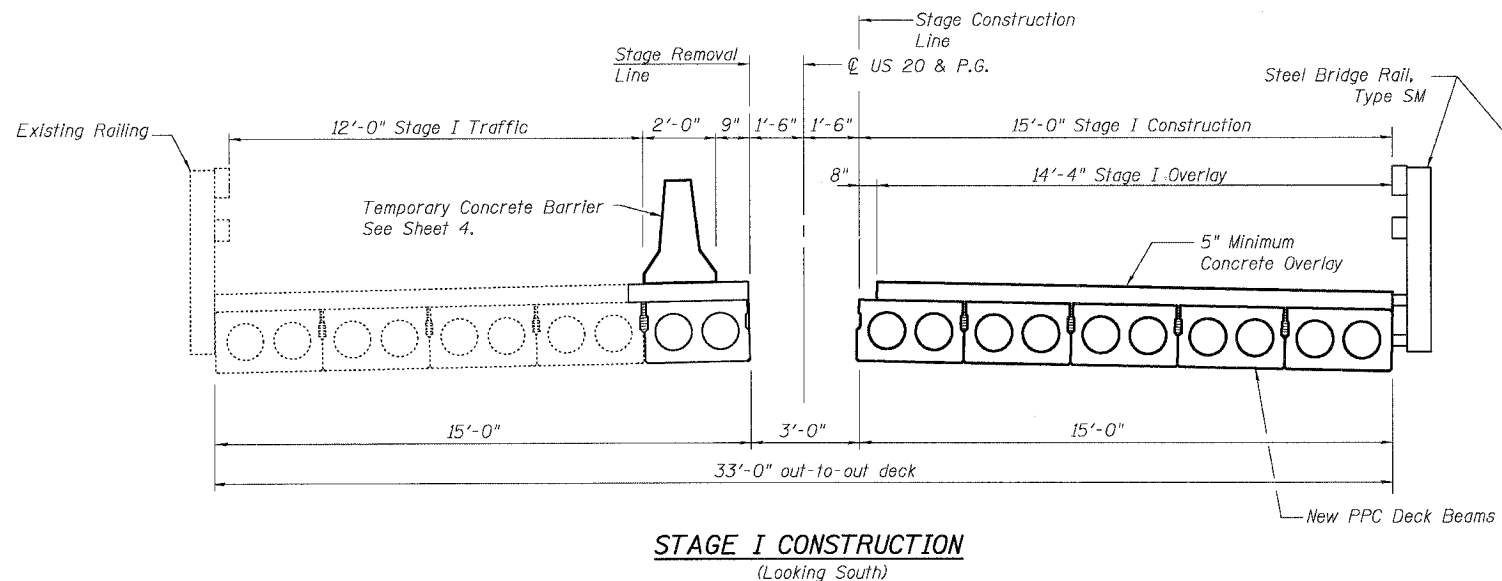
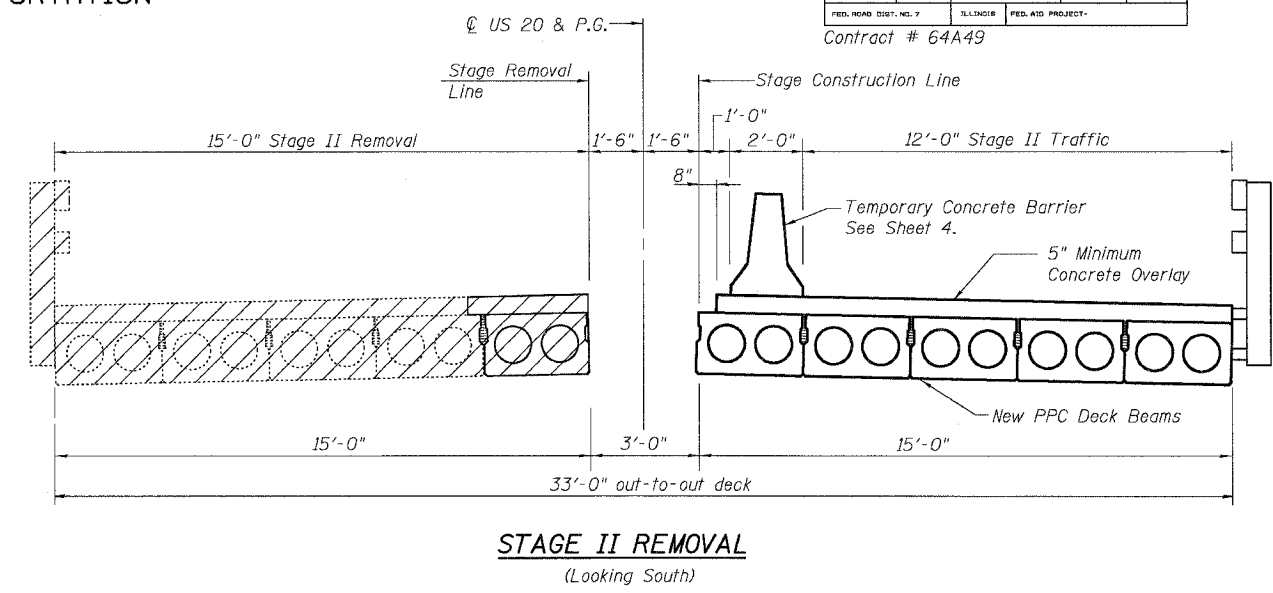
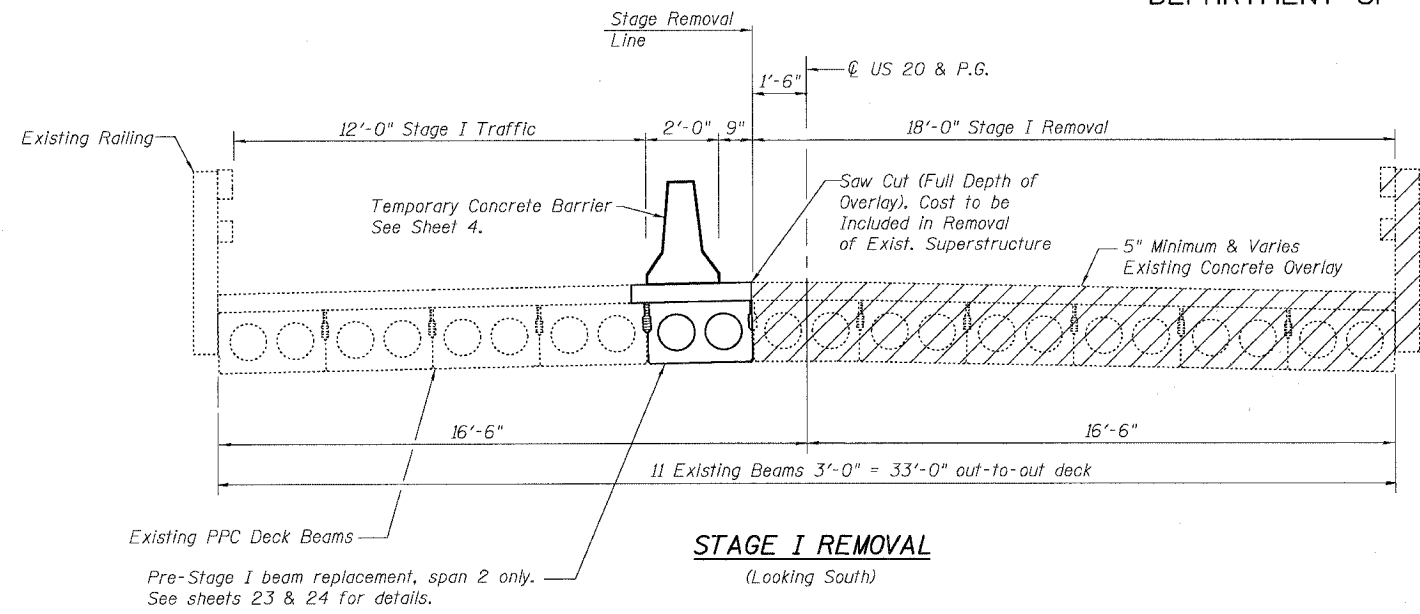


STATE OF ILLINOIS  
DEPARTMENT OF TRANSPORTATION

ROUTE NO.	SECTION	COUNTY	TOTAL SHEETS	SHEET NO.	SHEET NO.
FAP 301	28BR-1	JO DAVIESS	53	11	27 SHEETS
FED. ROAD DIST. NO. 7		ILLINOIS	FED. AID PROJECT-		

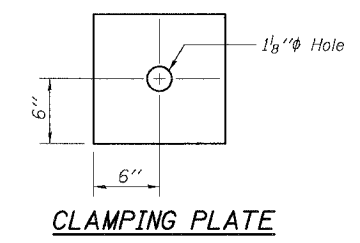
Contract # 64A49



**SHEAR KEY CLAMPING DETAILS AT STAGE CONST. JT.**

See Special Provisions for Stage Construction of Precast Prestressed Concrete Deck Beams. Cost included with Precast Prestressed Concrete Deck Beams (21" Depth) and (27" Depth). See Stage Construction Details for traffic lanes.

\*Space to miss transverse reinforcement in wearing surface



DESIGNED	DF
CHECKED	CB
DRAWN	RG
CHECKED	DF

**LEGEND**

Removal of Existing Superstructure

Existing Superstructure

New Construction

**STAGE REMOVAL & CONSTRUCTION**

U.S. 20 OVER APPLE RIVER  
F.A.P. ROUTE 301 - SEC. 28BR-1  
JO DAVIESS COUNTY  
STATION 1434+57.61  
S.N. 043-0010