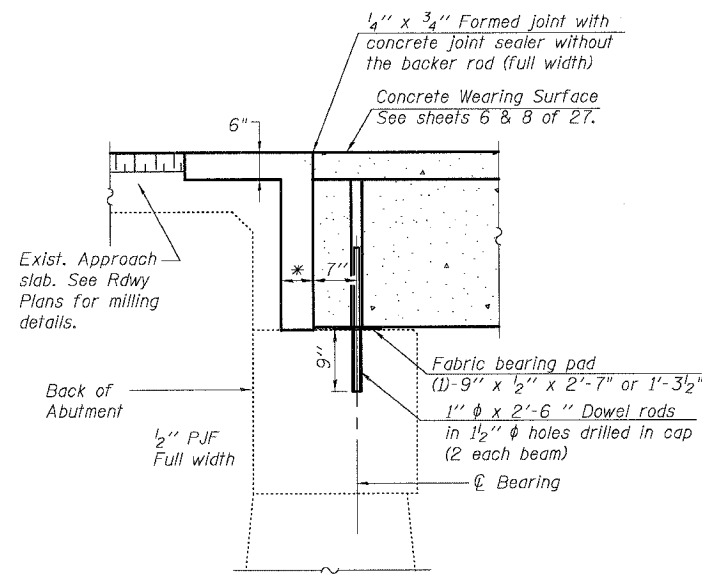


STATE OF ILLINOIS
DEPARTMENT OF TRANSPORTATION

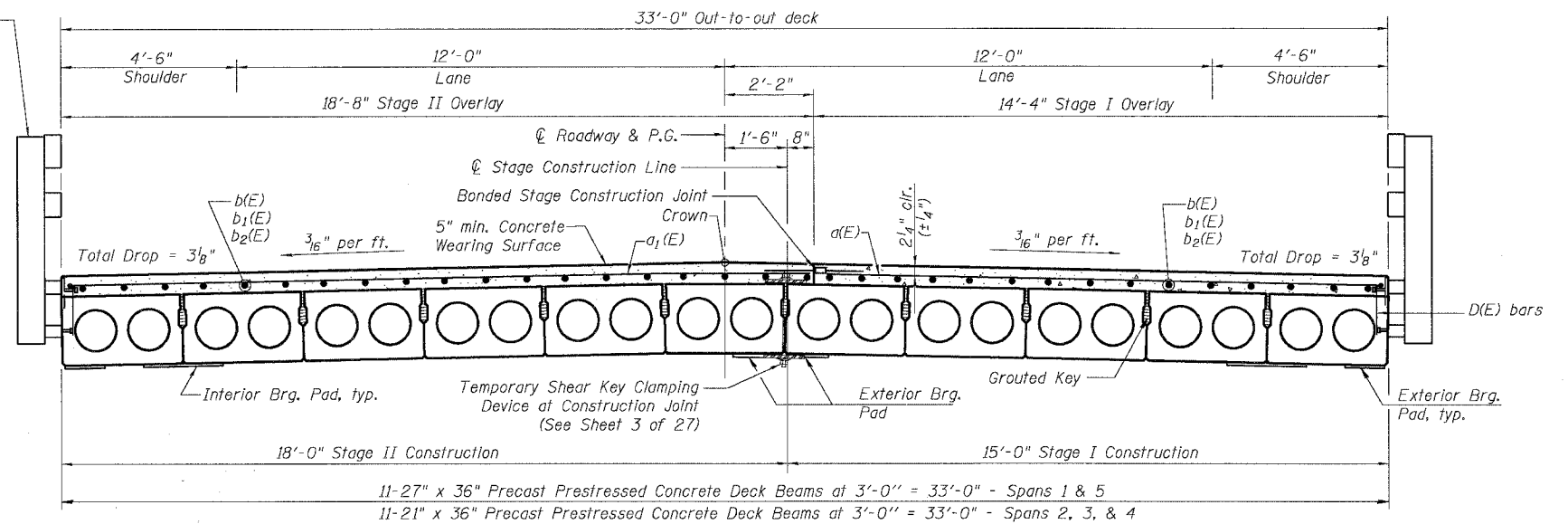
ROUTE NO.	SECTION	COUNTY	TOTAL SHEETS	SHEET	SHEET NO. 7
FAP 301	28BR-1	JO DAVIESS	53	15	27 SHEETS
FED. ROAD DIST. NO. 7	ILLINOIS	FED. AID PROJECT-	Contract # 64A49		



SECTION THRU ABUTMENT

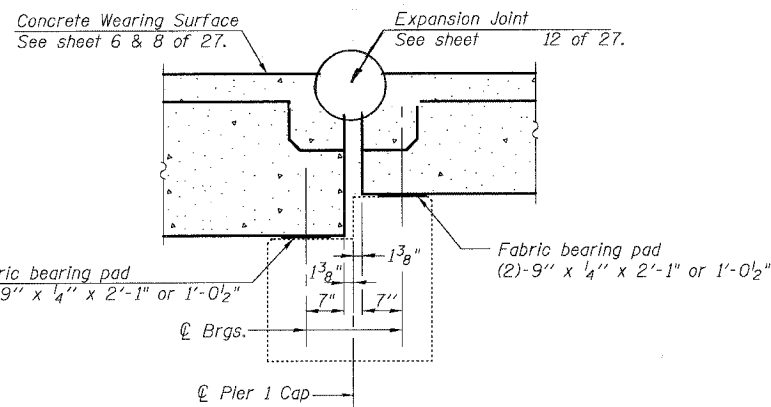
* 5³/₈" @ N. Abutment, 3³/₈" @ S. Abutment
Dimensions may vary to accommodate tolerances in beam lengths and locations of the existing backwalls. Concrete to be poured after beams and concrete wearing surfaces are in place.

Steel Bridge Rail, Type SM. See sheets 5 & 8 of 27 for details.

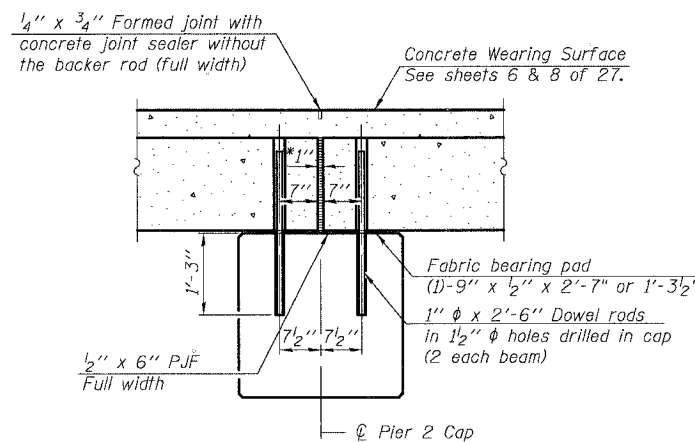


CROSS SECTION

(Looking South)

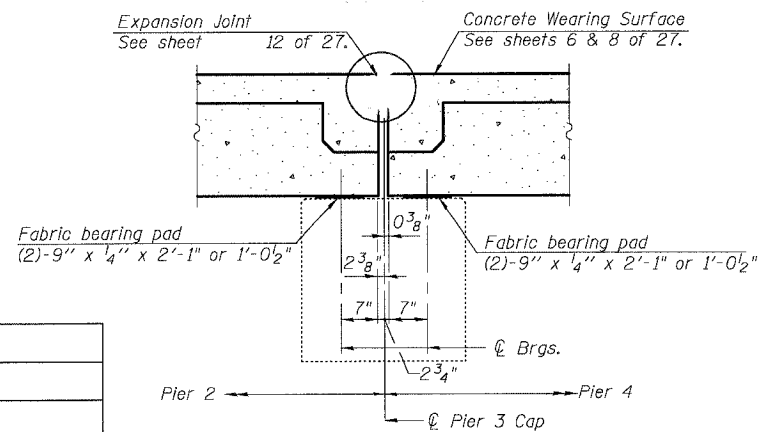


SECTION THRU EXPANSION PIER 1 CAP

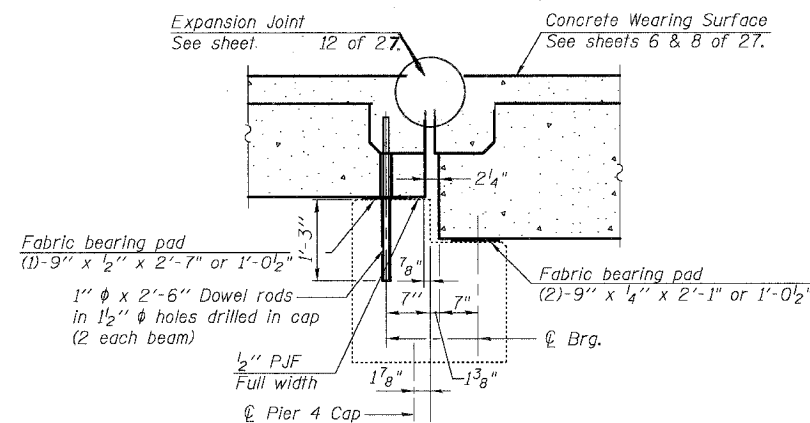


SECTION THRU FIXED PIER 2 CAP

* 1" Jt. shall be filled with non-shrink grout. 1" dimension may vary to accommodate tolerance in beam lengths.



SECTION THRU EXPANSION PIER 3 CAP



SECTION THRU FIXED/EXPANSION PIER 4 CAP

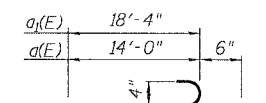
BILL OF MATERIAL

Bar	No.	Size	Length	Shape
a(E)	288	#4	14'-6"	—
a ₁ (E)	288	#4	18'-10"	—
a ₂ (E)	18	#5	14'-0"	—
a ₃ (E)	18	#5	18'-4"	—
b(E)	136	#4	31'-6"	—
b ₁ (E)	136	#4	28'-0"	—
b ₂ (E)	68	#4	27'-5"	—
Bar Splicers			Each	306
Reinforcement Bars, Epoxy Coated			Pound	13,670
Concrete Wearing Surface, 5"			Sq. Yd	1043

Reinforcement bars designated (E) shall be epoxy coated.

Notes:

Ends of beams shall be aligned at the expansion joints. Any lined variation in the beam lengths shall be placed at the fixed joint.
After beams have been erected, temporary retainers shall be installed, holes for dowel rods shall be drilled into substructure and dowel rods placed. Dowel holes shall be filled with non-shrink grout to top of beam and allowed to cure a minimum of 24 hrs prior to grouting the shear keys.
Concrete wearing surface (including blockout) to be poured after grouting the shear keys.
Hatched area to be poured after concrete wearing surface (including blockout) is in place. Quantity included with Concrete Structures on sheets 15 & 16 of 27. See sheets 9 & 10 of 27 for bearing pad details.
Dowel rods drilled in cap are included in the cost of Precast Prestressed Concrete Deck Beams (21" & 27" depth).



BAR a(E), a₁(E)

DESIGNED	MO
CHECKED	CB
DRAWN	RG
CHECKED	DF

SUPERSTRUCTURE DETAILS

U.S. 20 OVER APPLE RIVER
F.A.P. ROUTE 301 - SEC. 28BR-1
JO DAVIESS COUNTY
STATION 1434+57.61
S.N. 043-0010