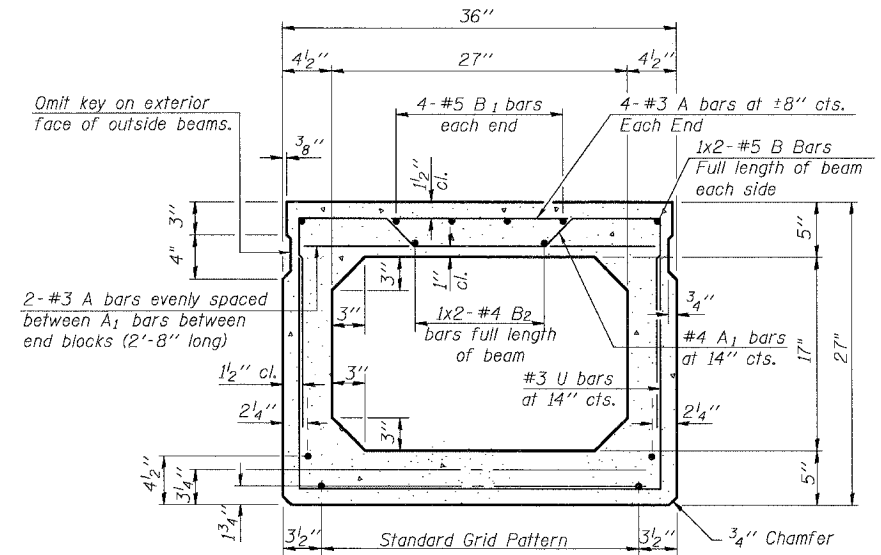
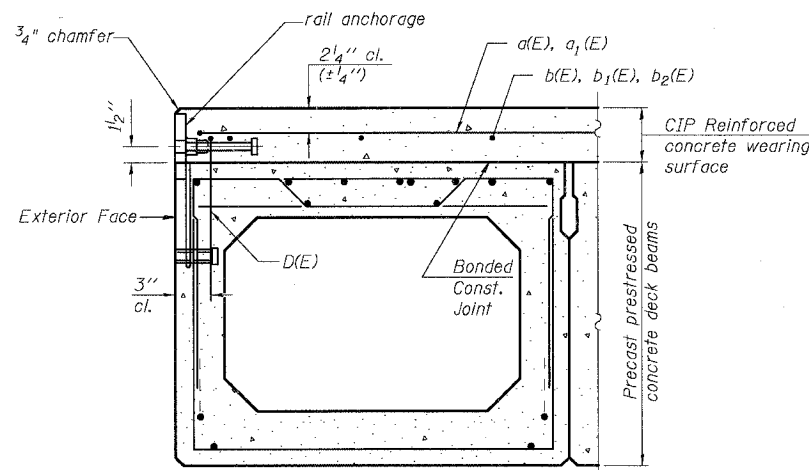
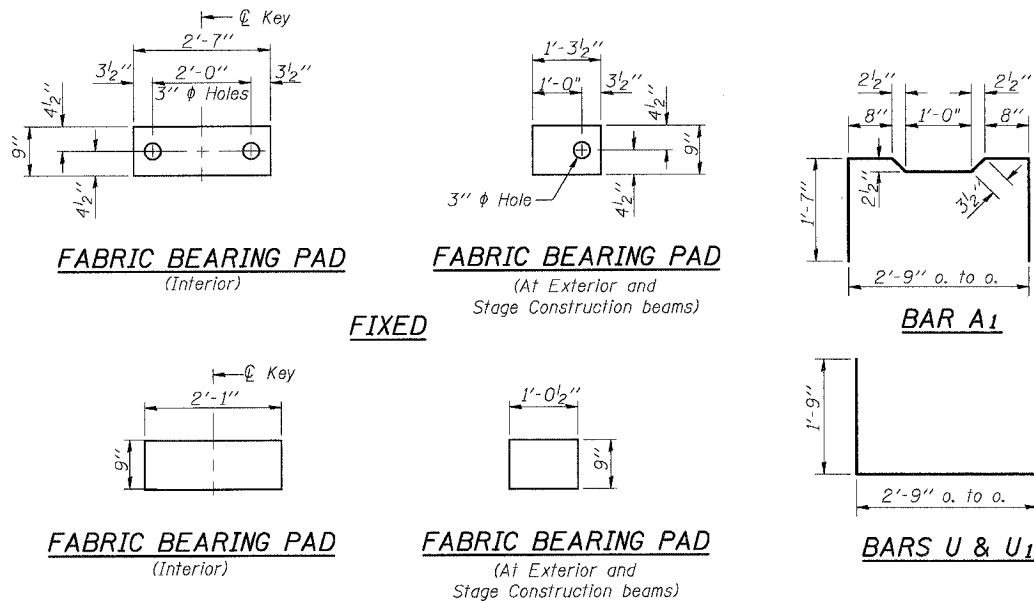


STATE OF ILLINOIS
DEPARTMENT OF TRANSPORTATION

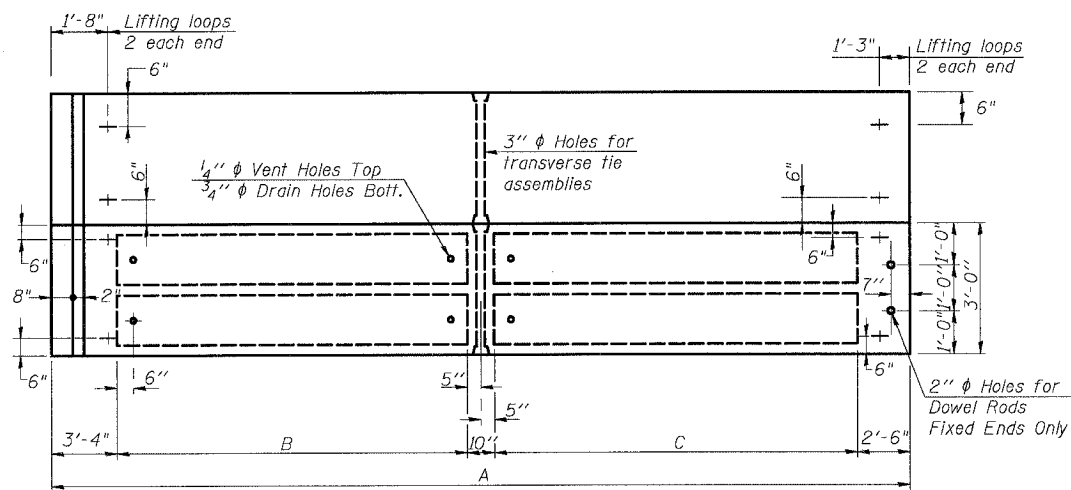
ROUTE NO. FAP 301	SECTION 28BR-1	COUNTY JO DAVIESS	SHEET 53	OF 17	SHEET NO. 9 27 SHEETS
FED. ROAD DIST. NO. 7					ILLINOIS
Contract # 64A49					



Note:
Place strands symmetrically about \bar{C} of beam.

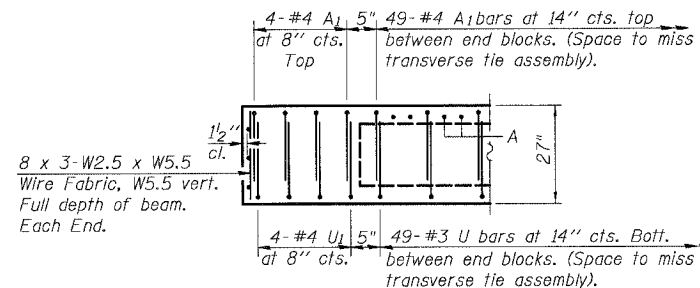
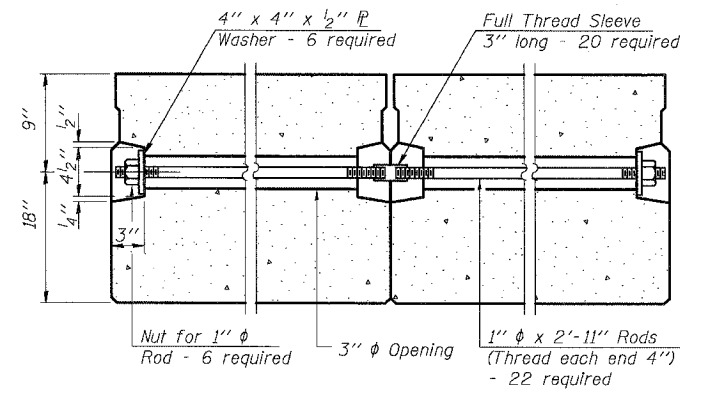
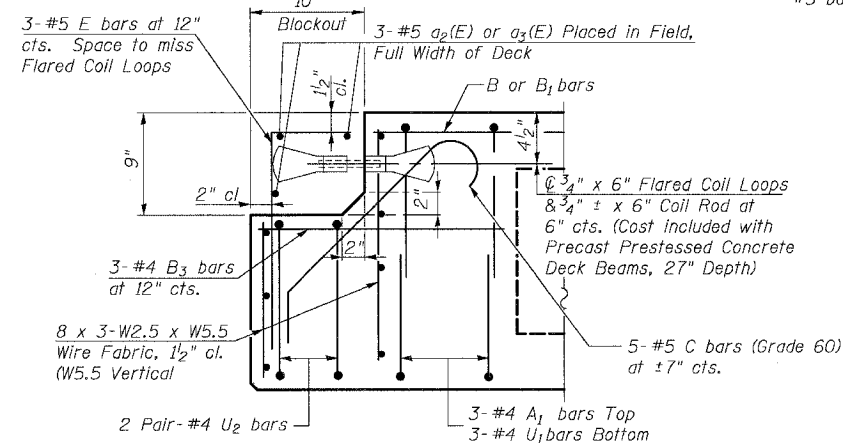
Min. Bar Lap
#4 bar = 1'-8"
#5 bar = 2'-2"

$\frac{1}{2}$ " ϕ Strands, Each Strand Stressed to 30,900 Lbs.
6-Strands $1\frac{3}{4}$ " up, 6-Strands $3\frac{1}{4}$ " up, 2-Strands $4\frac{1}{2}$ " up



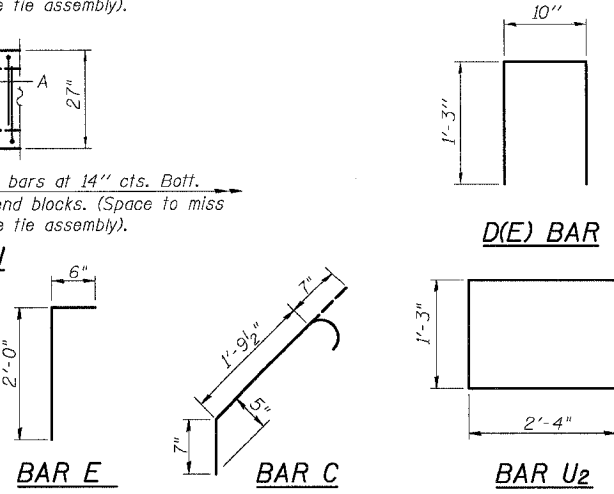
BEAM DIMENSIONS

	Span 1	Span 5
A	61'-9"	62'-0"
B	27'- $1\frac{1}{2}$ "	27'-3"
C	27'- $11\frac{1}{2}$ "	28'-1"



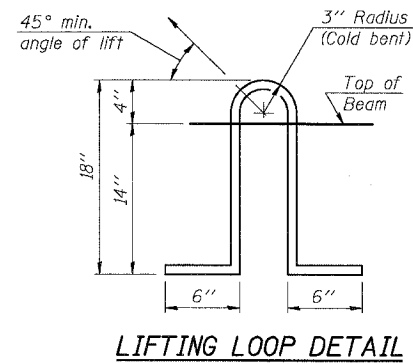
DESIGNED	MO
CHECKED	CB
DRAWN	RG
CHECKED	DF

PD-5-S 10-22-04



NOTES

Prestressing steel shall be uncoated high strength, low relaxation 7-wire strand, Grade 270. The nominal diameter shall be $\frac{1}{2}$ " and the nominal cross-sectional area shall be 0.153 sq. in. Lifting loops shall be (2)- $\frac{1}{2}$ " ϕ -270 ksi strands, as shown. The 1" ϕ rods in the transverse tie assembly shall be tightened to a snug fit and the threads set. Packets that receive transverse tie bar on outside shall be filled with grout after transverse tie assembly is in place. The bearing seat surfaces shall be adjusted by shimming to assure firm and even bearing. Two $\frac{1}{2}$ " fabric adjusting shims of the dimensions of the Exterior Bearing Pad shall be provided for each bearing. Keyway surfaces shall be cleaned to remove form oil or other bond breaking material prior to shipment of the beams. Cleaning shall be done by sandblasting the keyway areas between top of the beam and the bottom edge of the key. Corrosion Inhibitor, as covered in the Special Provisions, shall be used in the concrete for precast prestressed concrete deck beams. Required Release Strength, f'ci, shall be 4000 p.s.i. Bridge rail Inserts shall be cast in precast beams See sheets 5 & 8 of 27 for location of rail anchors.



BILL OF MATERIAL

Item	Unit	Total
Precast Prestressed Conc. Deck Bms. 27" Depth	Sq. Ft.	4,084

SUPERSTRUCTURE DETAILS SPANS 1 & 5

U.S. 20 OVER APPLE RIVER
F.A.P. ROUTE 301 - SEC. 28BR-1
JO DAVIESS COUNTY
STATION 1434+57.61
S.N. 043-0010