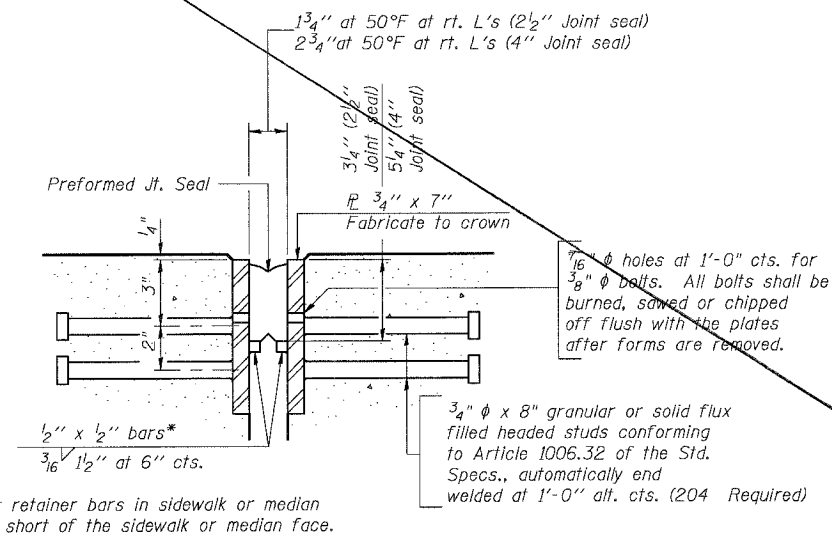


STATE OF ILLINOIS
DEPARTMENT OF TRANSPORTATION

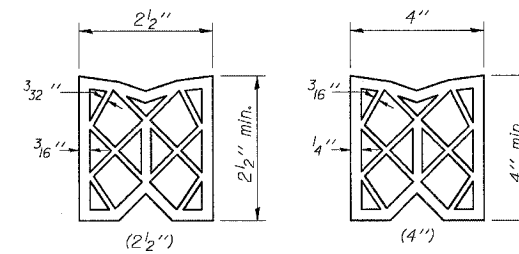
ROUTE NO.	SECTION	COUNTY	JOB NO.	SHEET	SHEET NO. 11 27 SHEETS
FAP 301	288R-1	JO DAVIESS	53	19	
FED. ROAD DIST. NO. 7	ILLINOIS	FED. AID PROJECT			

Contract # 64A49



SECTION THRU EXPANSION JOINT
(2 1/2" and 4" joint seals)

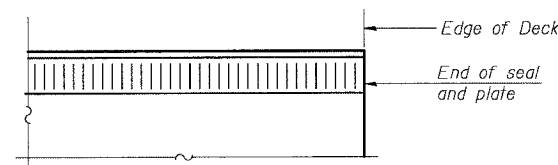
Design Movement	Required Preformed Joint Seal Size	Required Strip Seal Rated movement
1"	2 1/2"	1"
1 5/8"	4"	2"



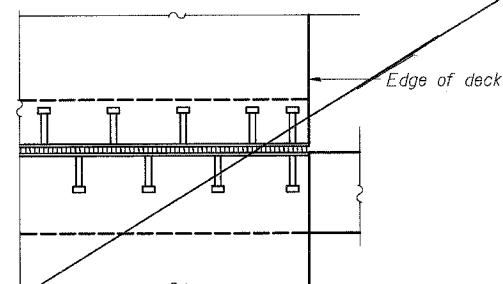
PREFORMED JOINT SEAL

GENERAL NOTES

Furnish steel plates in segments of 20 feet maximum length. Maximum space between installed segments shall be 3/16". Seal space with silicone sealant suitable for structural steel.



END TREATMENT ELEVATION
(Showing seal and plate)



PLAN

DESIGNED	DF
CHECKED	CB
DRAWN	RB
CHECKED	DF

BILL OF MATERIAL

Item	Unit	Total
Prefomed Joint Strip Seal, 1"	foot	33.0
Prefomed Joint Strip Seal, 1 5/8"	foot	66.0

VOIDED SHEET

(Sheet 1 of 2)
PREFORMED JOINT SEAL
U.S. 20 OVER APPLE RIVER
F.A.P. ROUTE 301 - SEC. 288R-1
JO DAVIESS COUNTY
STATION 1434+57.61
S.N. 043-0010