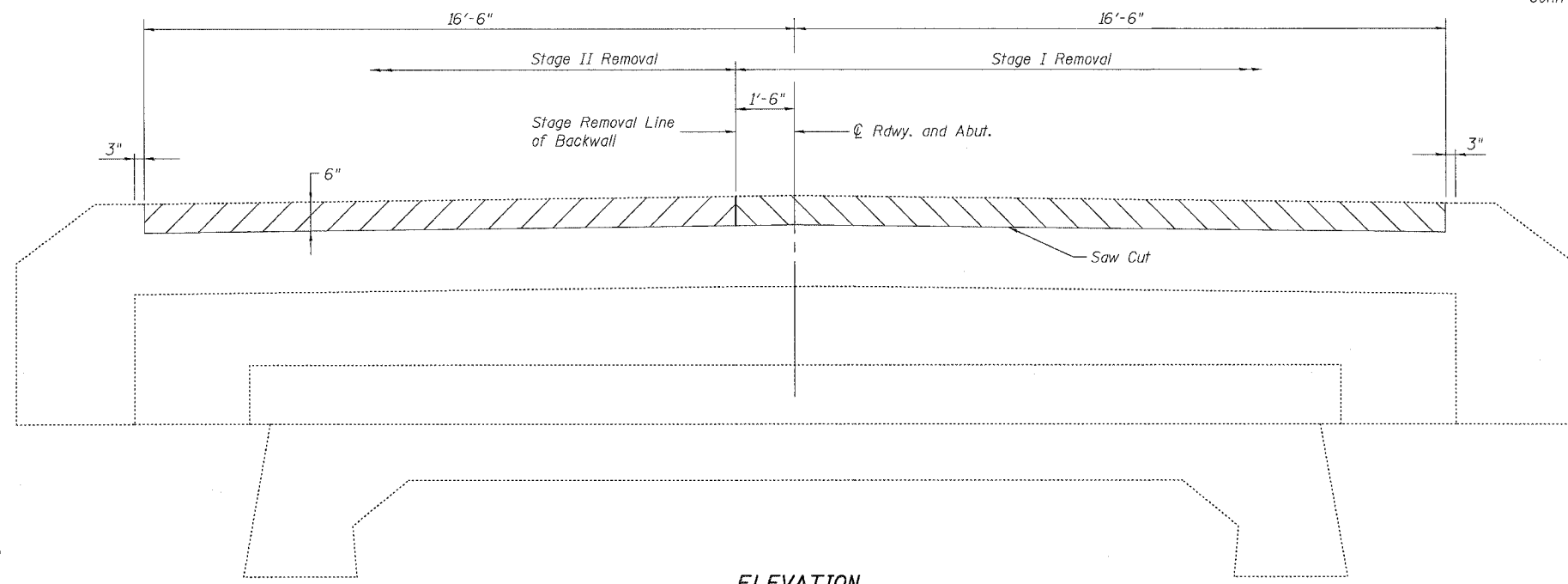


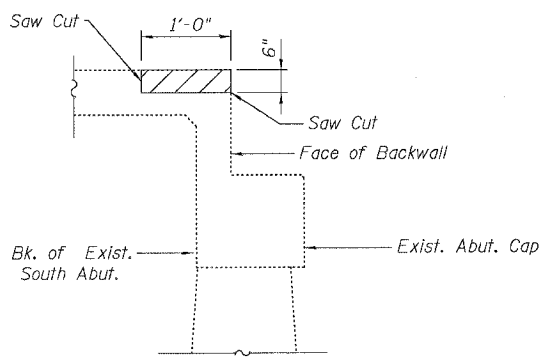
STATE OF ILLINOIS
DEPARTMENT OF TRANSPORTATION

ROUTE NO.	SECTION	COUNTY	SHEET	SHEET	SHEET NO. 14
FAP 301	24BR-1	JO DAVIESS	53	22	27 SHEETS
FED. ROAD DIST. NO. 7	ILLINOIS	FED. AID PROJECT-			

Contract # 64A49



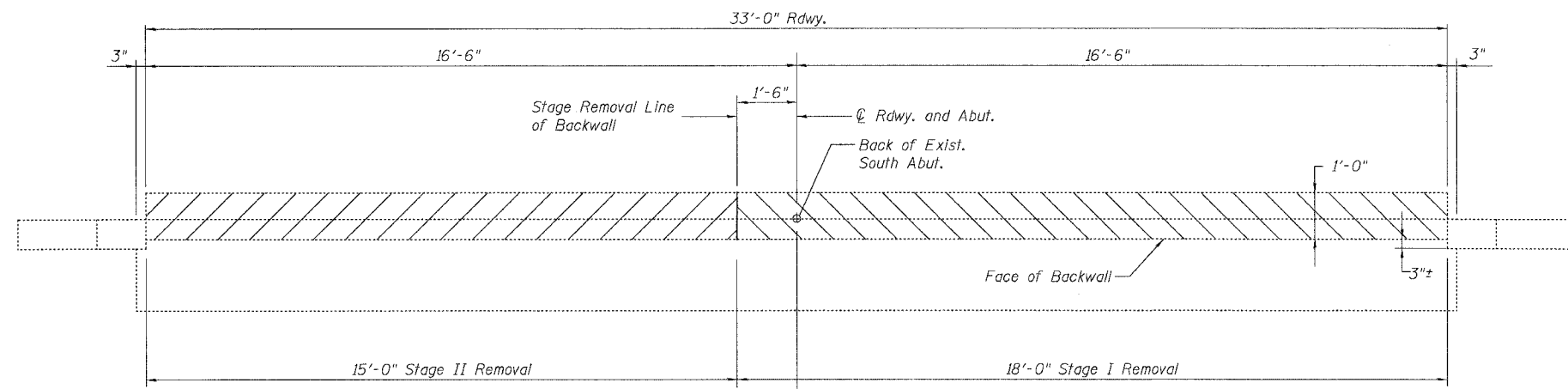
ELEVATION
(Looking South)



SECTION THRU EXIST ABUT.
CAP @ \odot RDWY.

LEGEND

- Stage I Concrete Removal
- Stage II Concrete Removal



PLAN

BILL OF MATERIAL

Item	Unit	Quantity
Concrete Removal	Cu. Yd	0.6

**CONCRETE REMOVAL
SOUTH ABUTMENT**

U.S. 20 OVER APPLE RIVER
F.A.P. ROUTE 301 - SEC. 28BR-1
JO DAVIESS COUNTY
STATION 1434+57.61
S.N. 043-0010

- Note:
1. Existing reinforcement extending into new concrete shall be cleaned, straightened, and incorporated into new construction. Cost shall be included with Concrete Removal.
 2. Saw cutting to be included in the cost of Concrete Removal.

DESIGNED	DF
CHECKED	CB
DRAWN	MQ
CHECKED	DF