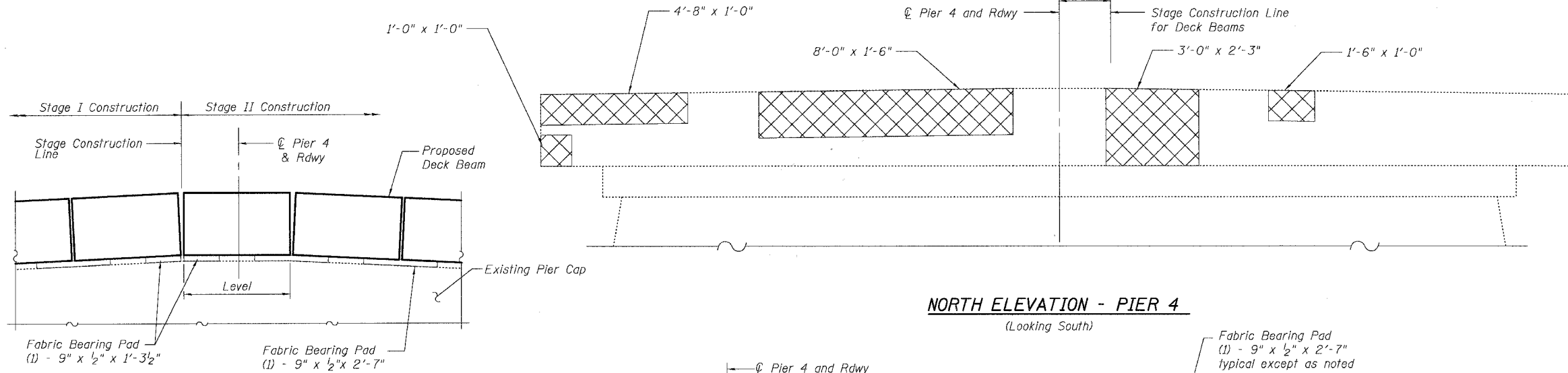
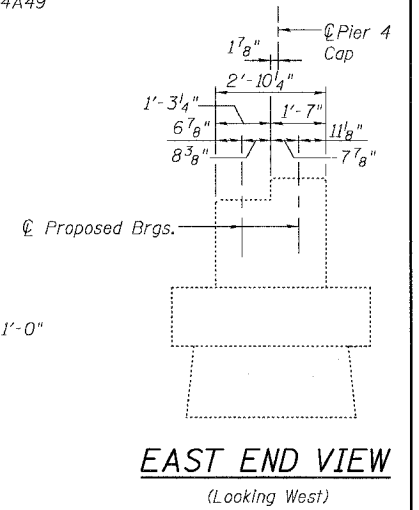
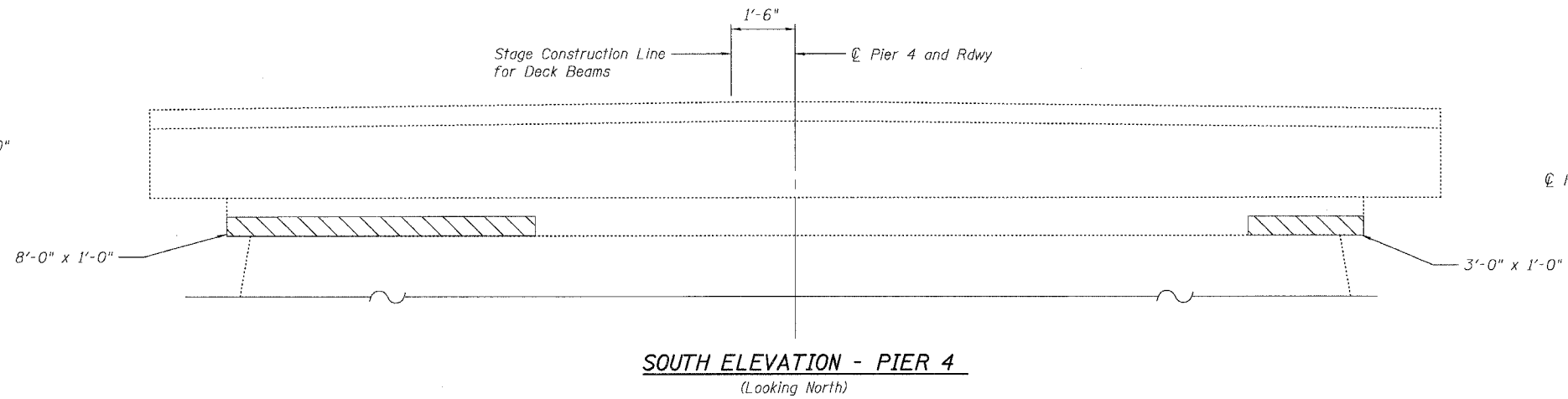
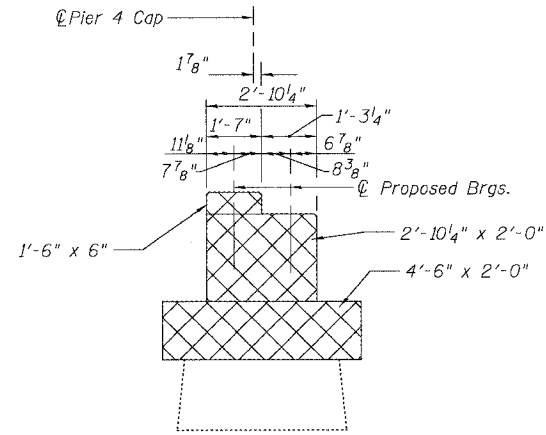


STATE OF ILLINOIS  
DEPARTMENT OF TRANSPORTATION

ROUTE NO.	SECTION	COUNTY	JOB SHEETS	SHEET	SHEET NO.
FAP 301	28BR-1	JO DAVIESS	53	28	27 SHEETS
FED. ROAD DIST. NO. 7	ILLINOIS	FED. AID PROJECT			

Contract #64A49



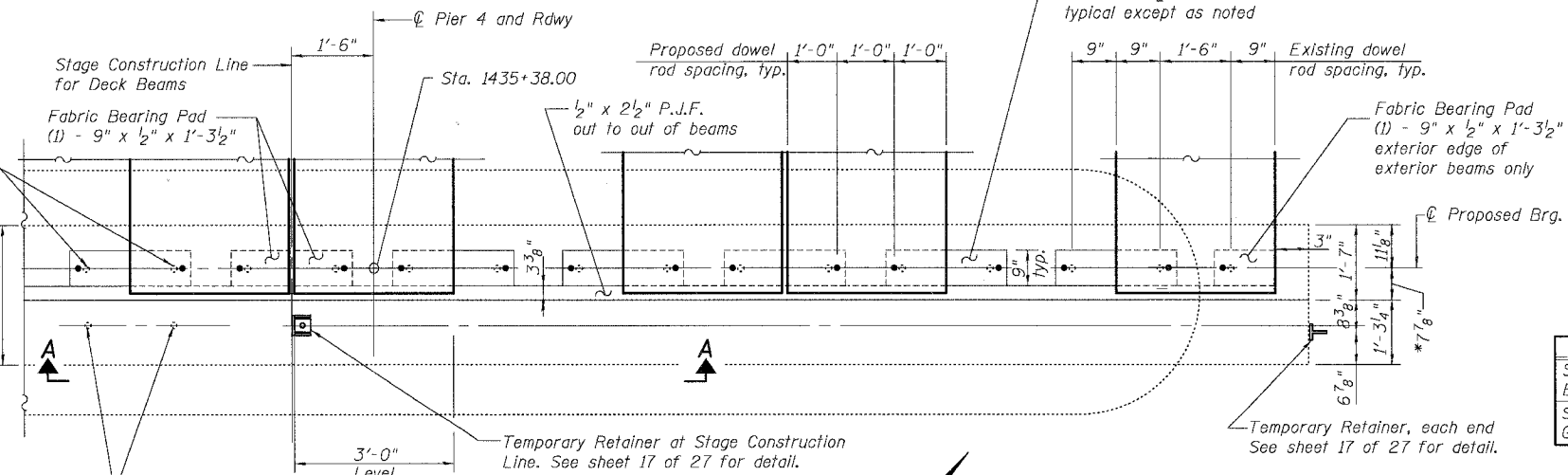
LEGEND

- Structural Repair of Concrete (Depth Equal to or Less Than 5")
- Structural Repair of Concrete (Depth Greater Than 5")

SECTION A-A  
(Concrete wearing surface and dowel rods not shown.)  
(Looking North)

Burn existing dowel rods flush with existing pier surface. Grind existing dowel rods smooth and seal with epoxy. Cost is included with Removal of Existing Structure.

Burn existing dowel rods flush with existing pier surface. Grind existing dowel rods smooth and seal with epoxy. Cost is included with Removal of Existing Structure.



BILL OF MATERIAL

Item	Unit	Total
Structural Repair of Concrete (Depth Equal to or Less Than 5")	Sq. Ft.	11.0
Structural Repair of Concrete (Depth Greater Than 5")	Sq. Ft.	41.3

PIER 4 REPAIRS

U.S. 20 OVER APPLE RIVER  
F.A.P. ROUTE 301 - SEC. 28BR-1  
JO DAVIESS COUNTY  
STATION 1434+57.61  
S.N. 043-0010

\*Existing dowel rods may not be located as shown

DESIGNED	MO
CHECKED	CB
DRAWN	RG
CHECKED	DF