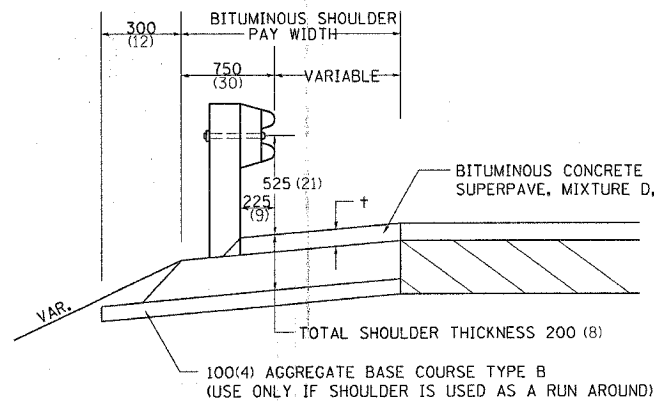


CONTRACT NO. 64A49			
F.A.P. RTE.	SECTION	COUNTY	TOTAL SHEETS
301	28BR-1	JO DAVIESS	53
SHEET NO.		42	
STA.		TO STA.	
FED. ROAD DIST. NO.		ILLINOIS FED. AID PROJECT	

# DETAIL OF BITUMINOUS SHOULDER AT GUARD RAIL



+ = SEE TYPICAL SECTIONS FOR THICKNESS

**GENERAL NOTES**

THE TOP LIFT SHALL NOT BE PLACED BEHIND THE GUARDRAIL POSTS. WHEN PLACING THE TOP LIFT THE RAIL MUST BE REMOVED FROM THE POSTS. THE POST SHALL NOT BE REMOVED.

THE HEIGHT OF THE GUARD RAIL SHALL BE SET 525 (21) FROM THE FINISHED SURFACE.

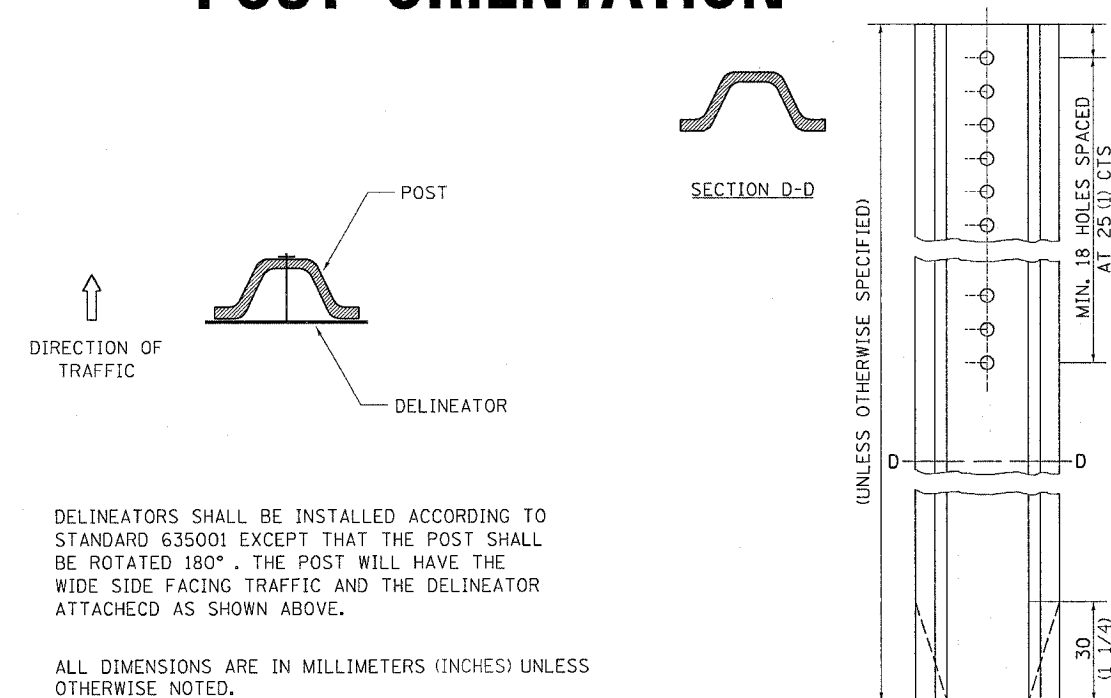
THE BITUMINOUS SHOULDER SHALL BE CONSTRUCTED IN ACCORDANCE WITH SECTION 482 EXCEPT THE TOP LIFT SHALL BE BITUMINOUS CONCRETE SURFACE COURSE, SUPERPAVE, MIXTURE C, N50. THE WORK WILL BE PAID FOR AT THE CONTRACT UNIT PRICE PER TON FOR BITUMINOUS CONCRETE SURFACE COURSE, SUPERPAVE, MIXTURE C, N50, AND SQUARE METER (SQUARE YARD) FOR BITUMINOUS SHOULDERS SUPERPAVE OF THE THICKNESS SPECIFIED. THE REMOVAL & REINSTALLATION OF THE GUARDRAIL WILL BE INCLUDED IN THE COST OF THE BITUMINOUS CONCRETE SURFACE COURSE, SUPERPAVE, MIXTURE C, N50.

ALL DIMENSIONS ARE IN MILLIMETERS (INCHES) UNLESS OTHERWISE NOTED.

**DETAIL OF BITUMINOUS SHOULDER AT GUARD RAIL 23.4**

REVISED 1-17-02

# DELINEATOR AND POST ORIENTATION



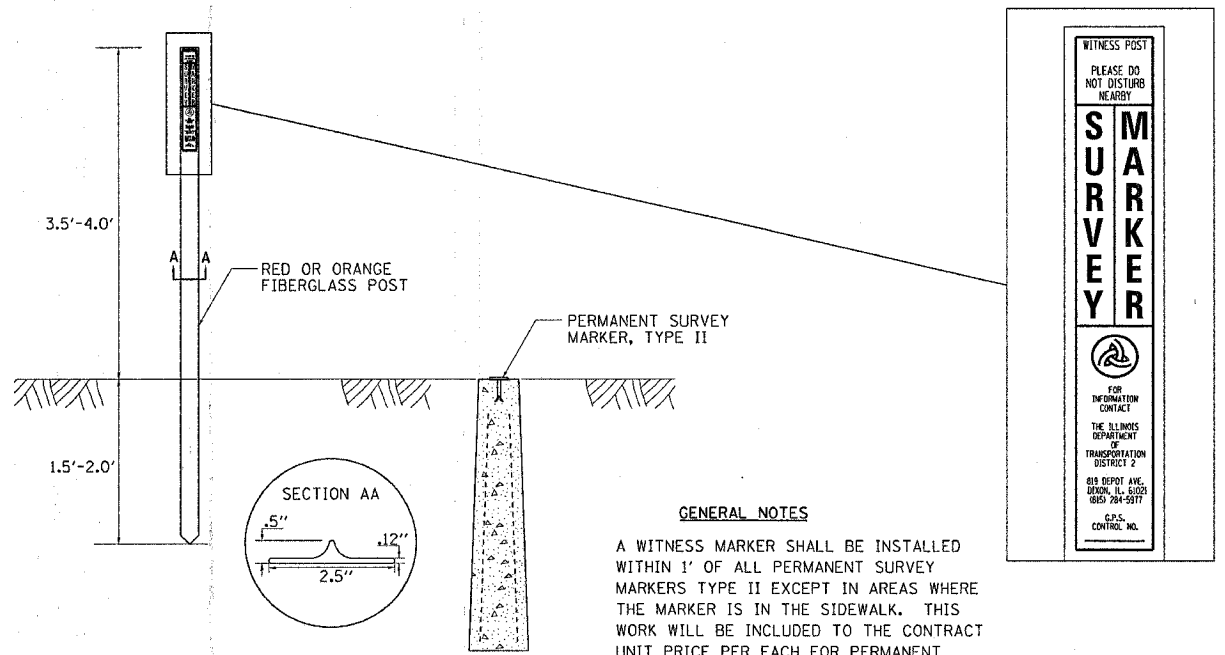
DELINEATORS SHALL BE INSTALLED ACCORDING TO STANDARD 635001 EXCEPT THAT THE POST SHALL BE ROTATED 180°. THE POST WILL HAVE THE WIDE SIDE FACING TRAFFIC AND THE DELINEATOR ATTACHED AS SHOWN ABOVE.

ALL DIMENSIONS ARE IN MILLIMETERS (INCHES) UNLESS OTHERWISE NOTED.

**DELINEATOR AND POST ORIENTATION 37.4**

REVISED 1-31-00

# WITNESS MARKER FOR PERMANENT SURVEY MARKERS TYPE II



**GENERAL NOTES**

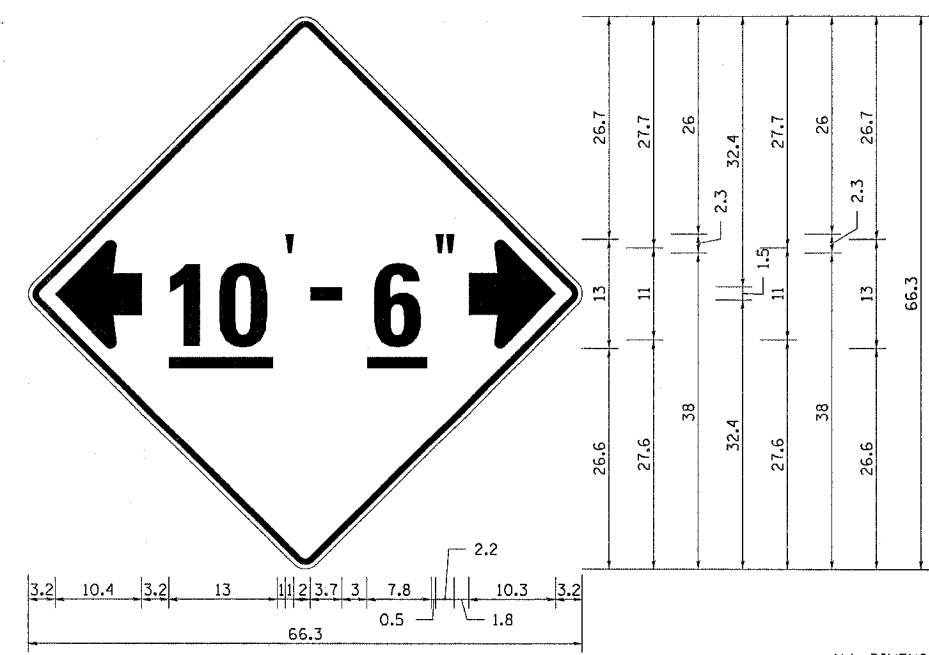
A WITNESS MARKER SHALL BE INSTALLED WITHIN 1' OF ALL PERMANENT SURVEY MARKERS TYPE II EXCEPT IN AREAS WHERE THE MARKER IS IN THE SIDEWALK. THIS WORK WILL BE INCLUDED TO THE CONTRACT UNIT PRICE PER EACH FOR PERMANENT SURVEY MARKERS, TYPE II.

**WITNESS MARKER FOR PERMANENT SURVEY MARKERS TYPE II 38.4**

REVISED 1-31-00

PLOT DATE \* Thu, Mar 29 09:23:18 2006  
 FILE NAME \* c:\pva\mca\28080805\28080805.dgn  
 PLOT SCALE \* 50.00000 / IN.  
 REFERENCE \* #REF#

# INFORMATIONAL WARNING SIGN (FOR NARROW TRAVEL LANES)



**NOTES**

W12-2 - Horizontal Clearance Sign, 48.0" across sides, 1.9" Radius, 0.8" Border, 0.5" Indent, Black on Orange; Standard Arrow Custom 10.4" X 8.1" 180° Black 11 Inch D Series Lettering; Standard Arrow Custom 10.4" X 8.1" 0°

All work to furnish and install these signs shall be included in the cost of the Traffic Control Standards and shall not be paid for separately.

ALL DIMENSIONS ARE IN INCHES UNLESS OTHERWISE NOTED.

**INFORMATIONAL WARNING SIGN (FOR NARROW TRAVEL LANES) 39.4**

REVISED 6-29-05