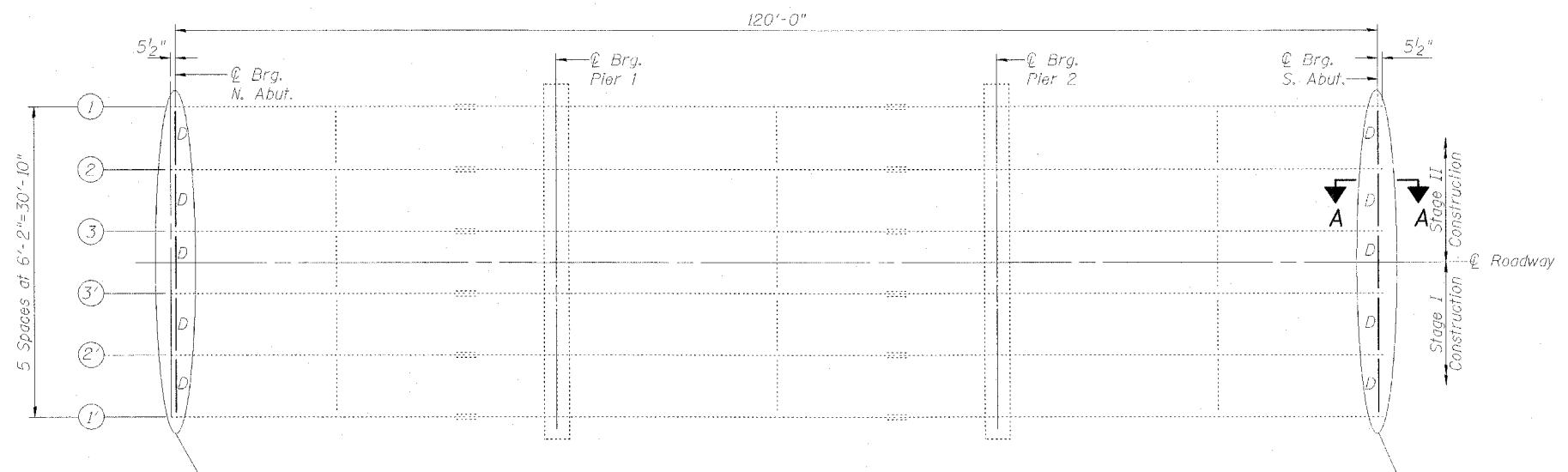


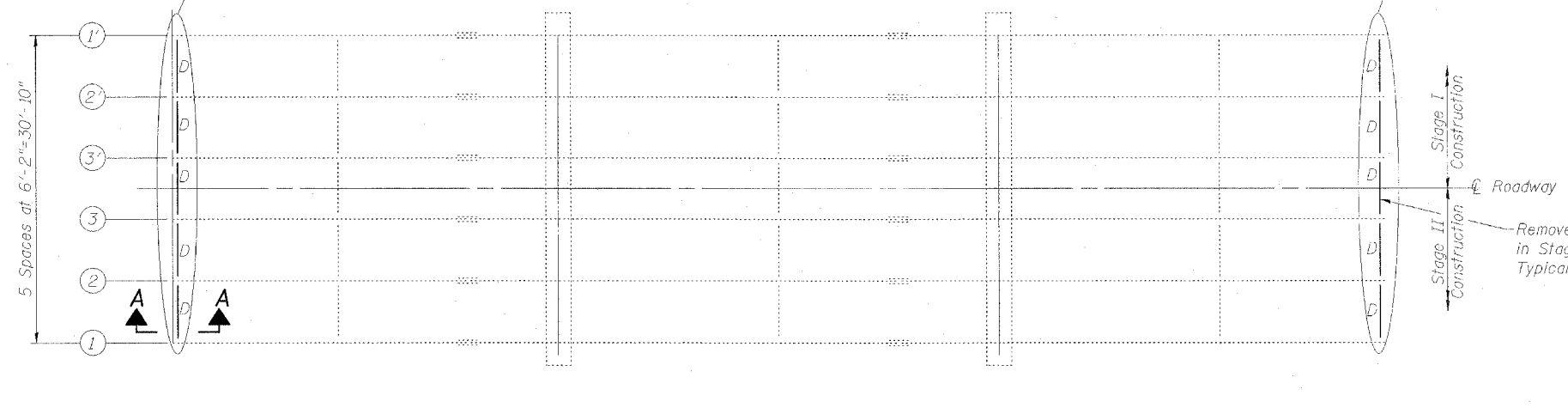
Contract #64B16



PLAN - S.N. 081-0092

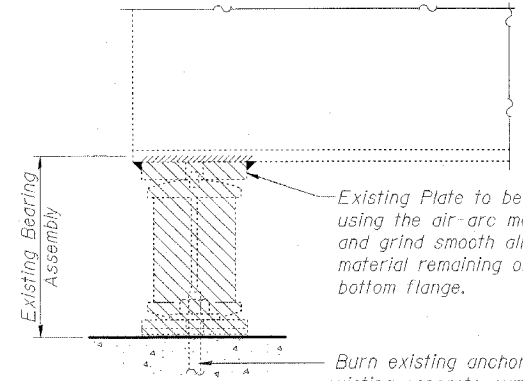
Remove and replace end diaphragms and bearings, see detail.

Remove and replace end diaphragms and bearings, see detail.



PLAN - S.N. 081-0091

Remove existing center diaphragm in Stage I and replace in Stage II. Typical at each abutment.



Existing Plate to be removed using the air-arc method and grind smooth all weld material remaining on the bottom flange.

Burn existing anchor bolts flush with existing concrete surface. Grind existing anchor bolt smooth and seal with epoxy. Cost is included with "Jack and Remove Existing Bearings".

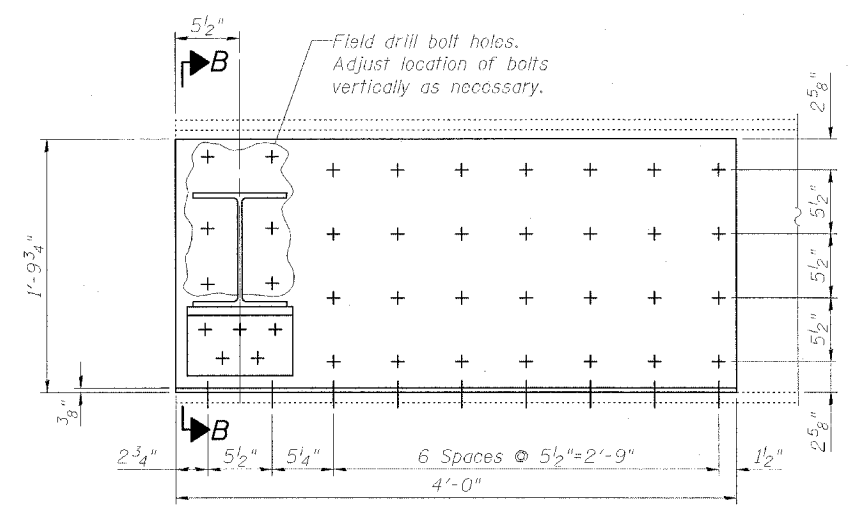
EXISTING BEARING REMOVAL DETAIL

BEAM REACTIONS AT ABUTMENTS

Q	15.6
L	28.6
Imp	8.6
Jack Capacity = 26 Ton/Brg.	

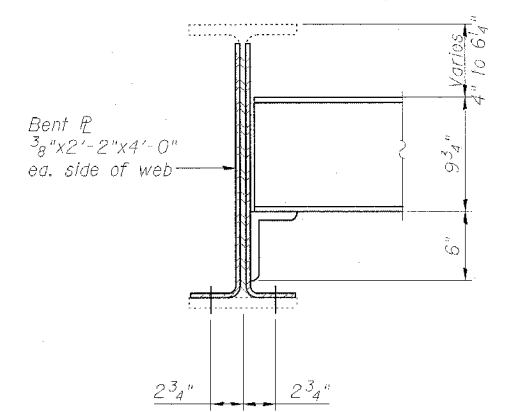
BILL OF MATERIAL - 2 BRIDGES

ITEM	UNIT	QUANTITY
Jack and Remove Existing Bearings	Each	24
Furnishing and Erecting Structural Steel	Pound	14,840

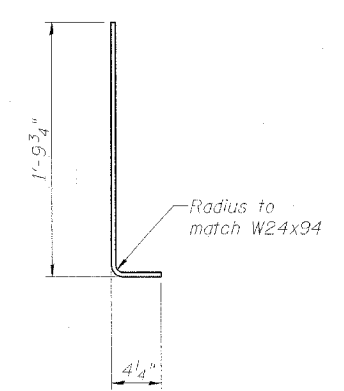


Bolts shall be 3/4" H.S. with 15/16" holes.

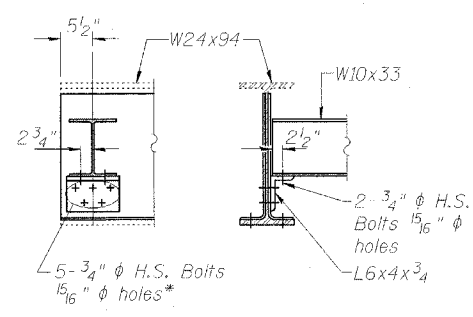
SECTION A-A  
(Typ. at ends of each beam)



SECTION B-B



BENT PLATE  
3/8"x2'-2"x4'-0"



END DIAPHRAGM D  
(10 Req'd ea. structure)

2 Hardened washers shall be required at diaphragm connections.

\*Holes and bolts to be in same location as existing. (Field drill)

FRAMING PLANS AND  
ROCKER BEARING DETAILS

F.A.P. RT. 308  
OVER MILL CREEK  
ROCK ISLAND COUNTY  
STATION 550+90.00  
STRUCTURE NO. 081-0091 & 92

CHAMPAIGN, ILLINOIS  
CHICAGO, ILLINOIS  
EVANSVILLE, INDIANA  
INDIANAPOLIS, INDIANA  
KENOSHA, WISCONSIN  
SPRING GREEN, WISCONSIN

Clark Dietz

REVISIONS		DRAWING NUMBER
NAME	DATE	
		S-5

DESIGNED BY: M.M.	PROJECT NO: 102315
DRAWN BY: MEW	DATE: 3/06
CHECKED BY: M.M.	
APPROVED BY: S.M.M.	
ACTIVITY INITIALS	

NOTE: DIMENSIONAL DATA IS NOT TO BE OBTAINED BY SCALING ANY PORTION OF THIS DRAWING.