

Contract #64810

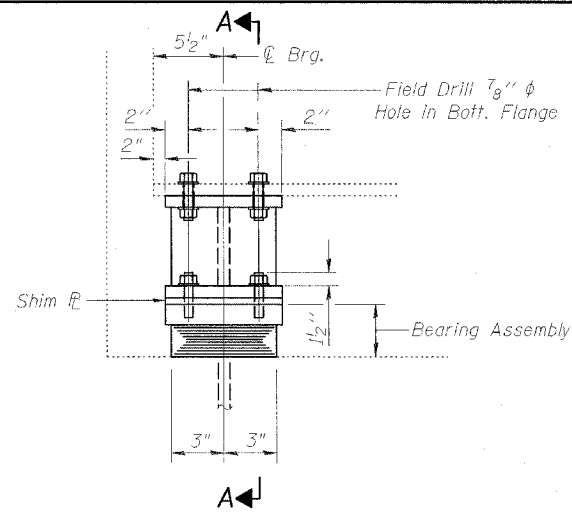
BILL OF MATERIAL

Item	Unit	Total
Elastomeric Bearing Assembly Type I	Each	24

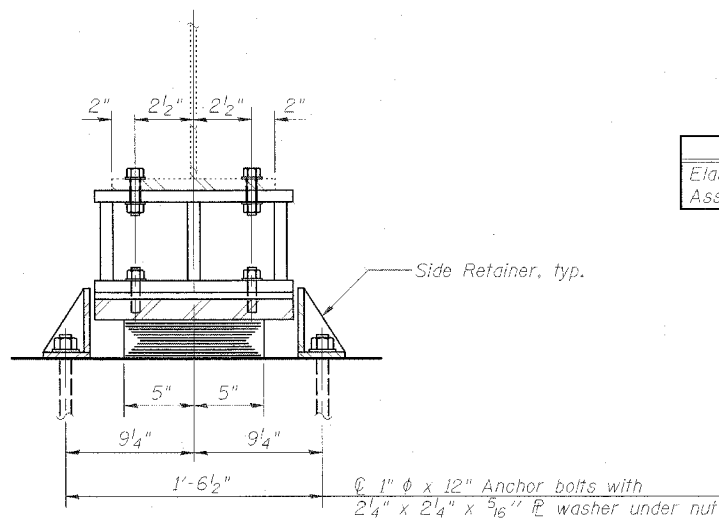
***TABLE OF STOOL HEIGHTS**

SN 081-0091 (IL. 92 SB)		SN 081-0092 (IL. 92 NB)	
North Abutment		North Abutment	
Beam	H	Beam	H
1	10 ⁵ / ₈ "	1	10 ³ / ₄ "
2	10 ¹ / ₄ "	2	10 ⁵ / ₈ "
3	11 ¹ / ₄ "	3	11 ¹ / ₂ "
3'	10 ¹ / ₂ "	3'	11 ¹ / ₂ "
2'	10 ⁵ / ₈ "	2'	10 ¹ / ₄ "
1'	10 ⁵ / ₈ "	1'	10 ⁷ / ₈ "
South Abutment		South Abutment	
Beam	H	Beam	H
1	11 ⁵ / ₈ "	1	10 ⁵ / ₈ "
2	10 ³ / ₈ "	2	10 ¹ / ₂ "
3	11 ¹ / ₄ "	3	11"
3'	11 ¹ / ₄ "	3'	10 ⁵ / ₈ "
2'	10 ⁵ / ₈ "	2'	10"
1'	10 ¹ / ₂ "	1'	10 ³ / ₄ "

*Stool height dimensions are based on field measurements. Prior to ordering any material, the Contractor shall verify in the field all bearing height and shim thickness dimensions.



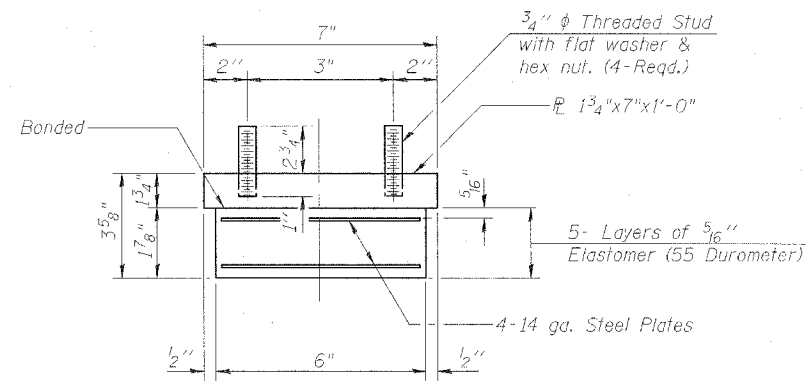
ELEVATION AT ABUT.



SECTION A-A

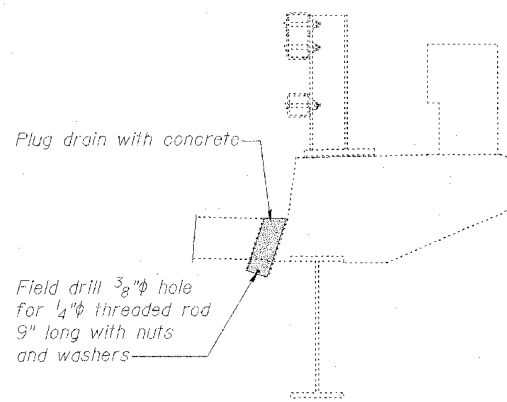
TYPE I ELASTOMERIC EXP. BRG.

Note: See sheet 9 for Anchor Bolt installation.

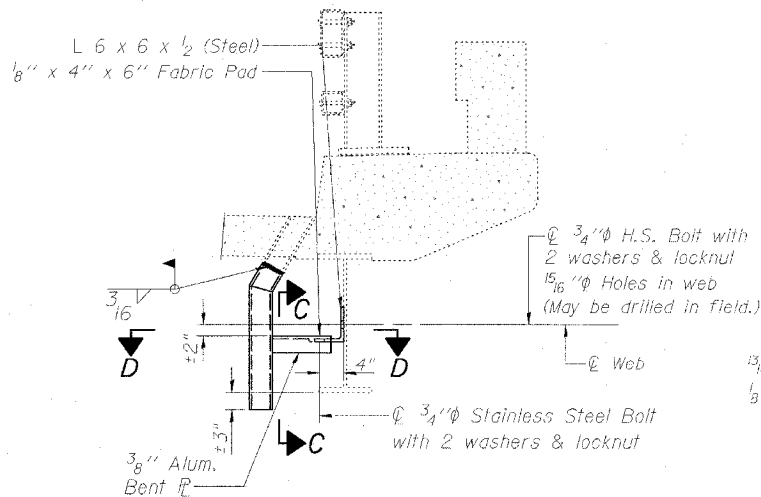


BEARING ASSEMBLY

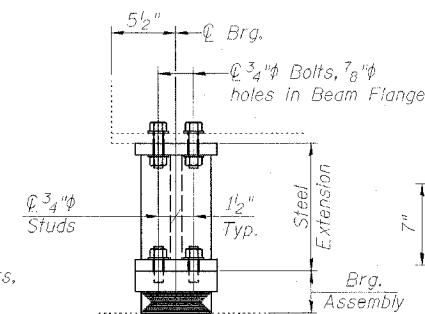
Note: Shim plates shall not be placed under Bearing Assembly.



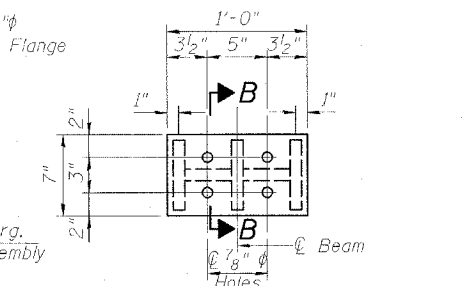
DECK DRAIN PLUG DETAIL
(32 Req'd)



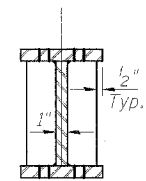
SECTION AT DRAIN EXTENSION
(32 Req'd)



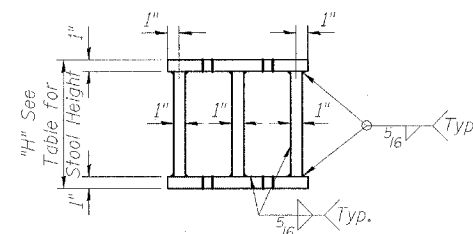
EXTENSION



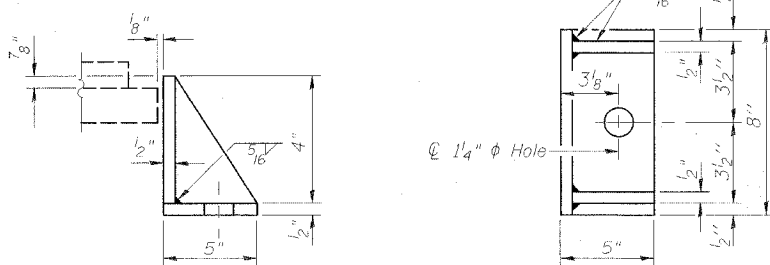
PLAN STEEL EXTENSION



SECTION B-B

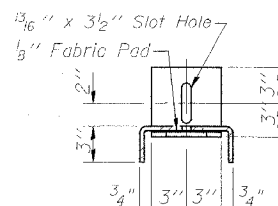


ELEVATION STEEL EXTENSION

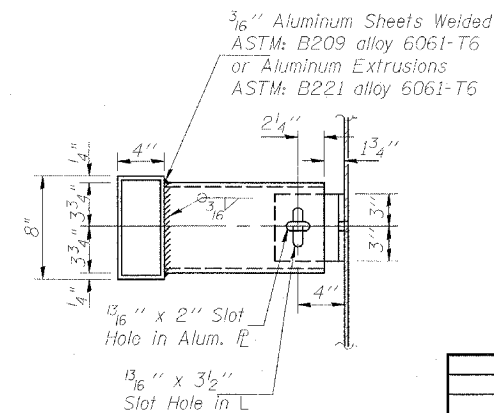


SIDE RETAINER

Equivalent rolled angle with stiffeners will be allowed in lieu of welded plates. Weight included with Structural Steel.



SECTION C-C



SECTION D-D

BEARING DETAILS AND DRAIN DETAILS

F.A.P. RT. 308
OVER MILL CREEK
ROCK ISLAND COUNTY
STATION 550+90.00
STRUCTURE NO. 081-0091 & 92



CHAMPAIGN, ILLINOIS
CHICAGO, ILLINOIS
EVANSVILLE, INDIANA
INDIANAPOLIS, INDIANA
KENOSHA, WISCONSIN
SPRING GREEN, WISCONSIN

REVISIONS		NOTE: DIMENSIONAL DATA IS NOT TO BE OBTAINED BY SKETCHING ANY PORTION OF THIS DRAWING.	DRAWING NUMBER
NAME	DATE		

DESIGNED BY: M.M. PROJECT NO: 102315
DRAWN BY: MEW DATE: 3/95
CHECKED BY: M.M.
APPROVED BY: S.M.M.
ACTIVITY INITIALS