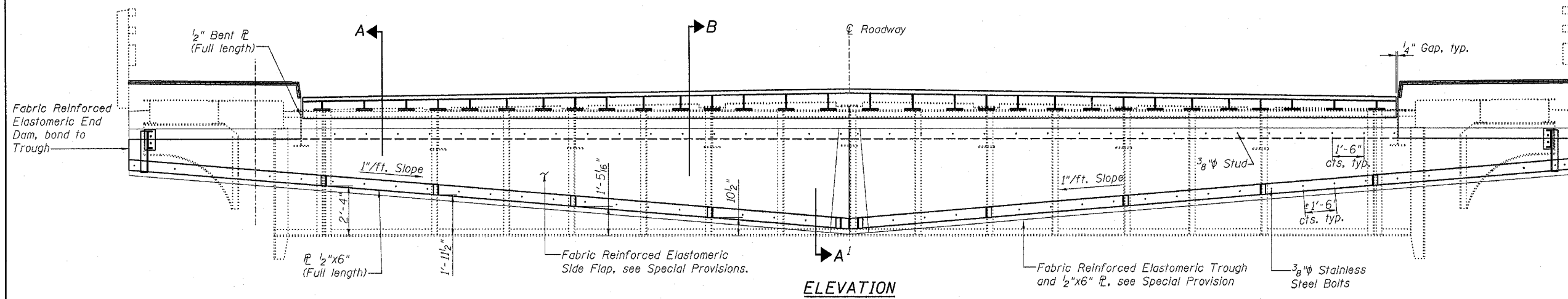


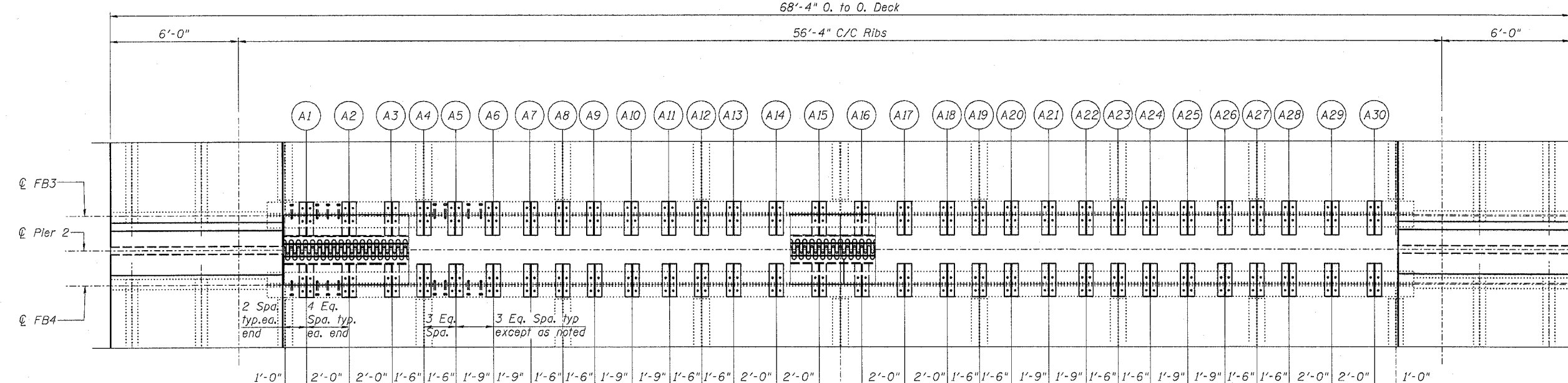
Contract #64C01

**FLOOR BEAM 3 FLOOR BEAM 4  
(NORTH SIDE) (SOUTH SIDE)**

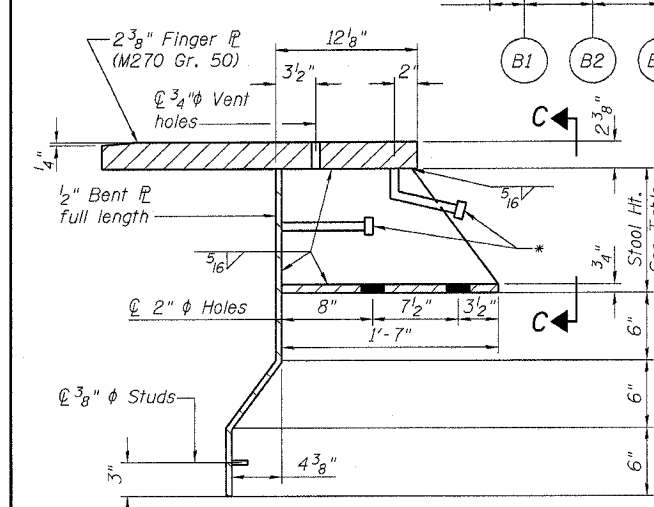


**ELEVATION**

68'-4" O. to O. Deck

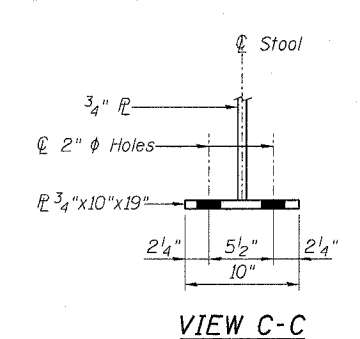


**PLAN**

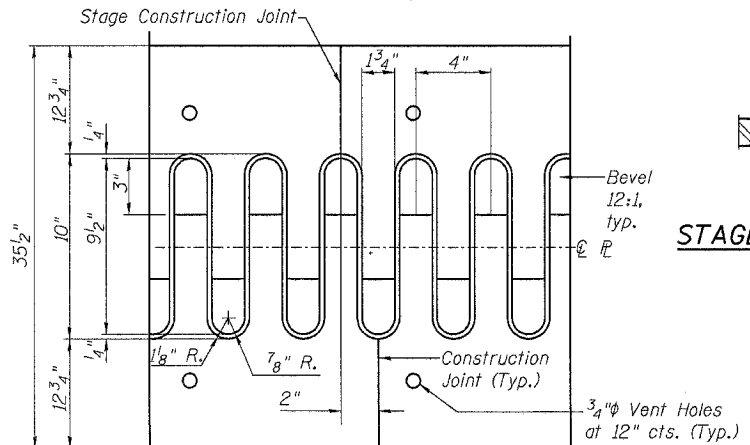


**TYP. STOOL DETAIL**

\*3/4" φ x 8" Granular or solid flux filled headed studs conforming to Art. 1006.32 of the Standard Specs. (96 req'd)

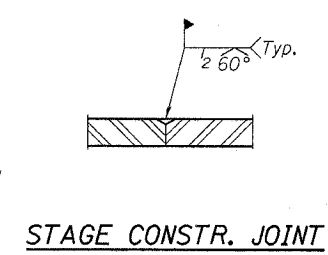


**VIEW C-C**



**FLAME CUTTING DIAGRAM**

Cut from PL 2 3/8" x 35 1/2" x 51'-11 1/2" (M270-Gr. 50)



**STAGE CONSTR. JOINT**

Stool No.	"Stool Height (Inches)"	Stool No.	"Stool Height (Inches)"
A1	5 3/8	B1	5 3/8
A2	5 3/4	B2	6 1/8
A3	6	B3	6 1/2
A4	6 1/4	B4	6 3/4
A5	6 5/8	B5	7
A6	7	B6	7 3/8
A7	7 3/8	B7	7 5/8
A8	7 5/8	B8	7 7/8
A9	8	B9	8 3/8
A10	8 1/2	B10	8 5/8
A11	8 7/8	B11	9 3/8
A12	9 1/4	B12	9 7/8
A13	9 1/2	B13	10
A14	9 3/4	B14	10 1/4
A15	10	B15	10 1/2
A16	10	B16	10 1/2
A17	9 5/8	B17	10
A18	9 1/4	B18	9 5/8
A19	8 7/8	B19	9 1/4
A20	8 5/8	B20	9
A21	8 1/4	B21	8 5/8
A22	7 7/8	B22	8 1/4
A23	7 5/8	B23	7 7/8
A24	7 1/4	B24	7 5/8
A25	6 7/8	B25	7 1/8
A26	6 1/2	B26	6 3/4
A27	6 1/4	B27	6 3/8
A28	5 7/8	B28	6
A29	5 3/8	B29	5 5/8
A30	5 1/8	B30	5 3/8

See Sections A-A and B-B on Dwg. S-5.

**TROUGH & DECK SECTIONS**

F.A. RT. 599 (US 67 OVER ROCK RIVER SOUTH CHANNEL AND ILLINOIS AND MISSISSIPPI CANAL) ROCK ISLAND COUNTY STATION 50+23.00 STRUCTURE NO. 081-0040

CHAMPAIGN, ILLINOIS  
CHICAGO, ILLINOIS  
EVANSVILLE, INDIANA  
INDIANAPOLIS, INDIANA  
KENOSHA, WISCONSIN  
SPRING GREEN, WISCONSIN



REVISIONS	
NAME	DATE

NOTED: DIMENSIONAL DATA IS NOT TO BE OBTAINED BY SOLING ANY PORTION OF THIS DRAWING.

DRAWING NO. 102383  
DATE: 1/86

DESIGNED BY: M.M.  
DRAWN BY: MEW  
CHECKED BY: M.M.  
APPROVED BY: M.M.  
ACTIVITY: DETAILS

DRAWING NUMBER  
**S-4**