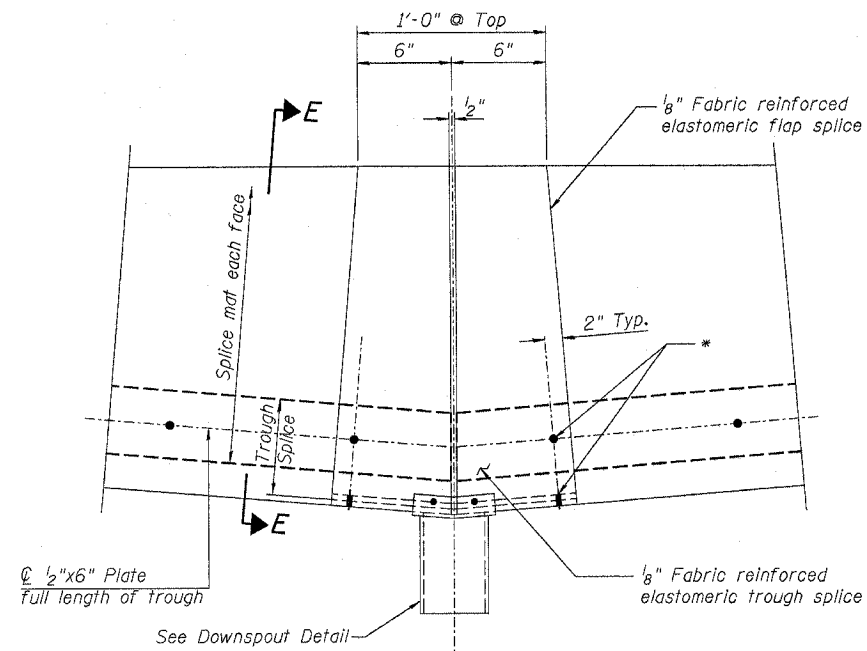
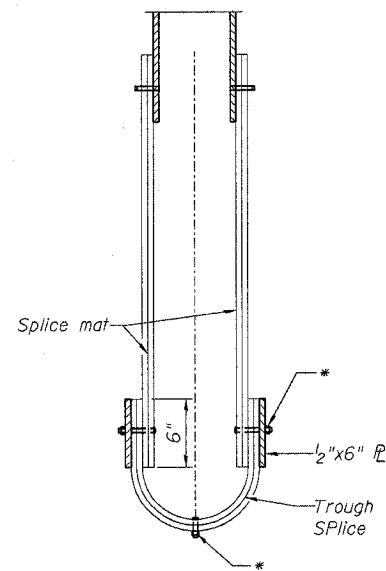


Contract #64C01

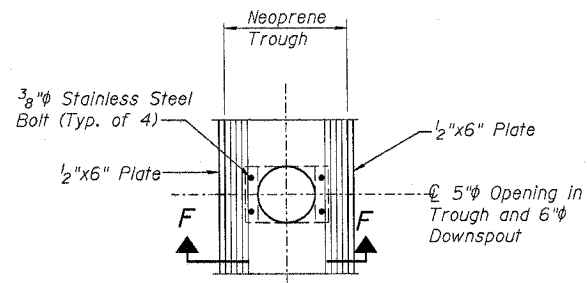


TROUGH SPLICE DETAIL

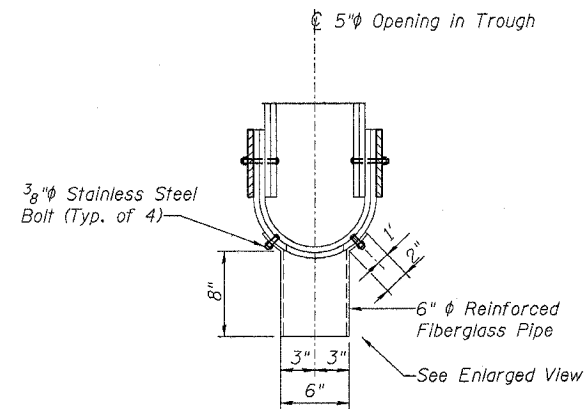
* $\frac{3}{8}$ " ϕ Stainless Steel bolts w/washers & nuts. Provide brass grommet in trough.



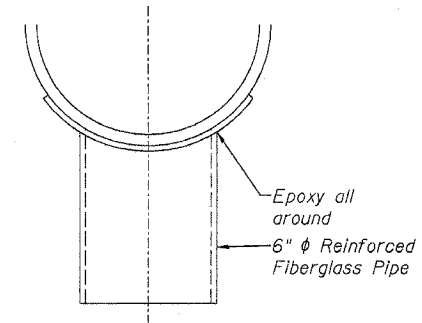
SECTION E-E



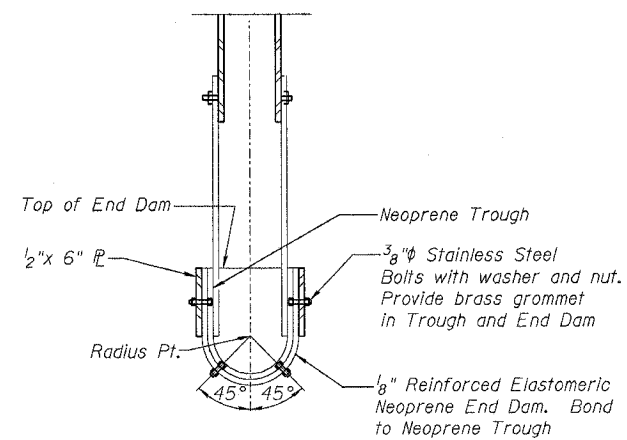
DOWNSPOUT DETAIL



SECTION F-F



ENLARGED VIEW



END DAM SECTION
(Ea. end of trough)

TROUGH DETAILS

F.A. RT. 599 (US 67 OVER
ROCK RIVER SOUTH CHANNEL
AND ILLINOIS AND MISSISSIPPI CANAL)
ROCK ISLAND COUNTY
STATION 50+23.00
STRUCTURE NO. 081-0040

Clark Dietz

CHAMPAIGN, ILLINOIS
CHICAGO, ILLINOIS
EVANSVILLE, INDIANA
INDIANAPOLIS, INDIANA
KENOSHA, WISCONSIN
SPRING GREEN, WISCONSIN

REVISIONS	
NAME	DATE

NOTE: DIMENSIONAL DATA IS NOT TO BE OBTAINED BY SCALING ANY PORTION OF THIS DRAWING.

DESIGNED BY: M.M. PROJECT NO: 102303
DRAWN BY: M.E.M. DATE: 1/06
CHECKED BY: M.M.
APPROVED BY: M.M.
ACTIVITY INITIALS

DRAWING NUMBER

S-6