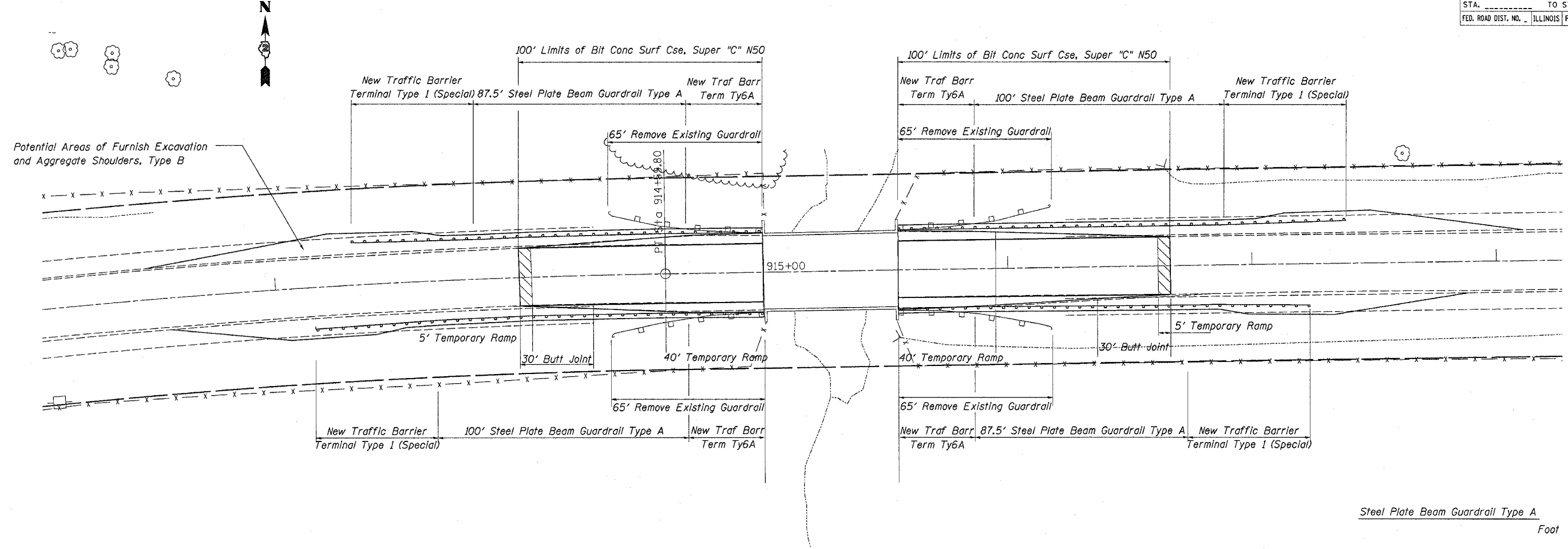


F.A.P. RTE.	SECTION	COUNTY	TOTAL SHEETS	SHEET NO.
549	117BR-M	Ogle	12	4
STA. _____		TO STA. _____		
FED. ROAD DIST. NO. _____		ILLINOIS FED. AID PROJECT		

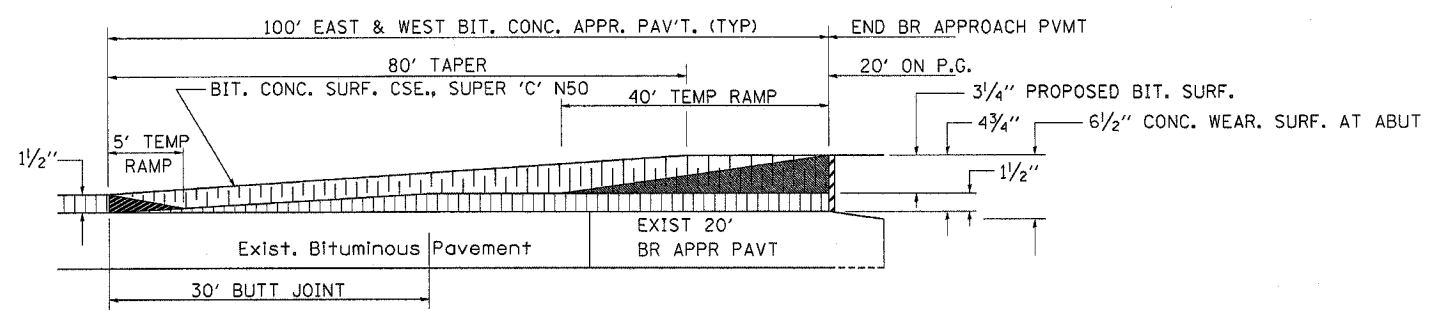
Station Equation 914+59.80 BK(Roadway Plan) = 547+15.80 AH(Bridge Plans)



Potential Areas of Furnish Excavation and Aggregate Shoulders, Type B

Bit Surf Rem - Butt Jt	Sq. Yd.
Sta. 914+00 to 914+30	80
Sta. 916+36 to 916+66	80
<b>Total</b>	<b>160</b>

Steel Plate Beam Guardrail Type A	Foot
Lt. Sta 913+81 to 914+68.5	87.5
Rt. Sta. 913+68 to 914+68	100
Lt. Sta. 915+86.5 to 916+86.5	100
Rt. Sta. 915+86 to 916+73.5	87.5
<b>Total</b>	<b>375</b>



**APPROACH PAVEMENT PROFILE**

Temporary Ramp	Sq. Yd.
Sta. 914+00 to Sta. 914+05	14
Sta. 914+60 to Sta. 915+00	116
Sta. 915+55 to Sta. 915+95	116
Sta. 916+50 to Sta. 916+55	14
<b>Total</b>	<b>300</b>

Bituminous Materials Prime Coat	Ton
East and West Approaches	0.2
<b>Total</b>	<b>0.2</b>

Aggregate Prime Coat	Ton
East and West Approaches	1
<b>Total</b>	<b>1</b>

Bit Conc Surf Cse, Super 'D' N50	Ton
Sta. 914+00 to Sta. 915+00	43
Sta. 915+55 to Sta. 916+55	43
<b>Total</b>	<b>86</b>

Remove SPBGR	Foot
Lt. Sta 914+37 to 914+99	65
Rt. Sta. 914+37 to 914+69.5	65
Lt. Sta. 915+55 to 916+18	65
Rt. Sta. 915+55 to 916+18	65
<b>Total</b>	<b>260</b>

**Roadway Plan**  
 Illinois Route 72 over Tributary to Mud Creek  
 FAP Route 549  
 Section 117BR-M  
 Ogle County  
 Structure No. 071-0068

PLOT DATE = Wed Mar 22 09:13:00 2006  
 FILE NAME = D:\v\plans\Ogle County\0710068\0710068.dgn  
 PLOT SCALE = 1/8"=1'-0"  
 USER NAME = ltrndj