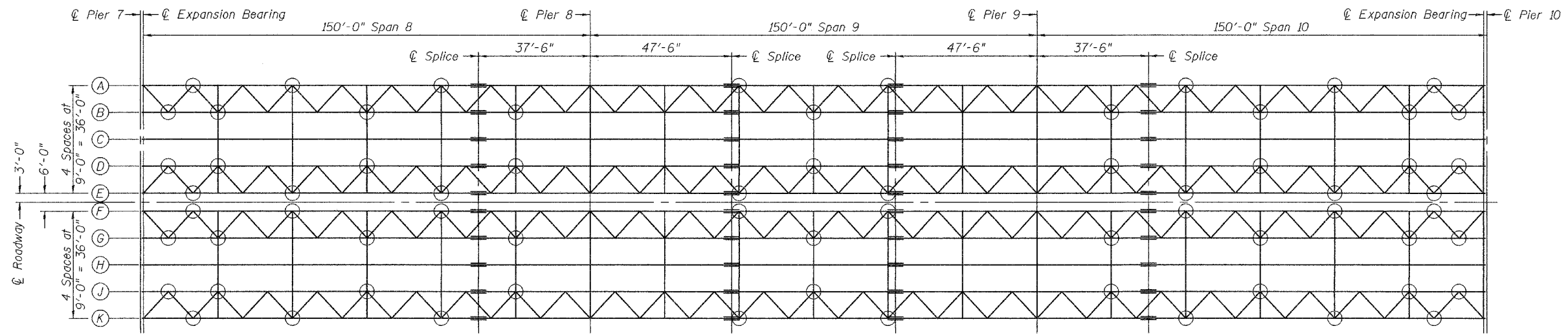


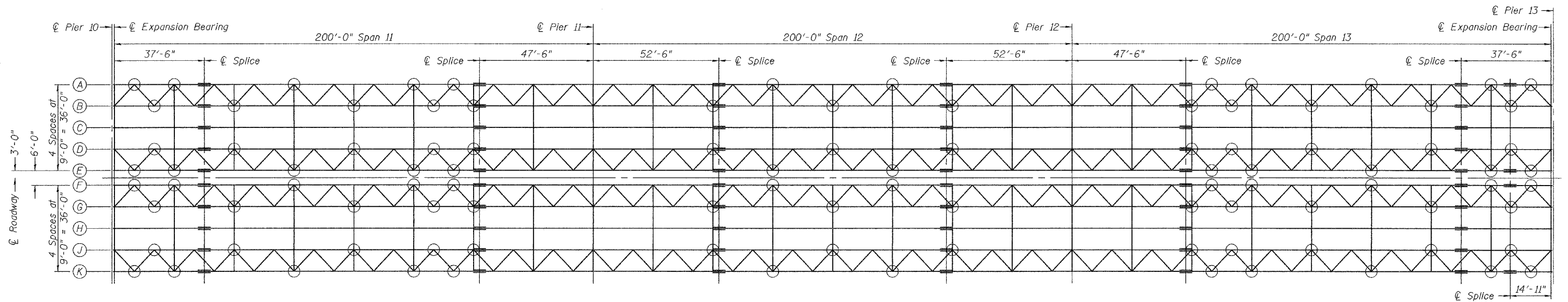
STATE OF ILLINOIS
DEPARTMENT OF TRANSPORTATION

| | | | | | |
|-----------------------|----------|------------------|--------------|-----------|--------------------------|
| ROUTE NO. | SECTION | COUNTY | TOTAL SHEETS | SHEET NO. | SHEET NO. 2 16 SHEETS |
| | | Rock Island | 18 | 4 | |
| FED. ROAD DIST. NO. 7 | ILLINOIS | FED. AID PROJECT | | | |

Contract Number: 64C13



FRAMING PLAN UNIT 3
○ Locations of Repair Detail A
See Sheet 4 of 16.



FRAMING PLAN UNIT 4
○ Locations of Repair Detail A
See Sheet 4 of 16.

| | |
|----------|------------------|
| DESIGNED | A.T.H. |
| CHECKED | P.S.J. |
| DRAWN | Drew Christopher |
| CHECKED | A.T.H. P.S.J. |

April 24, 2006
EXAMINED *John A. Morris*
ENGINEER OF STRUCTURAL SERVICES
PASSED *Ralph E. Anderson*
ENGINEER OF BRIDGES AND STRUCTURES

FRAMING PLANS
F.A.I. RT. 280 OVER
MISSISSIPPI RIVER
ROCK ISLAND COUNTY
SN 081-0106