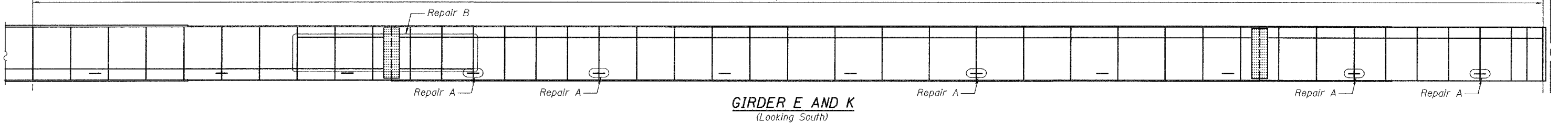
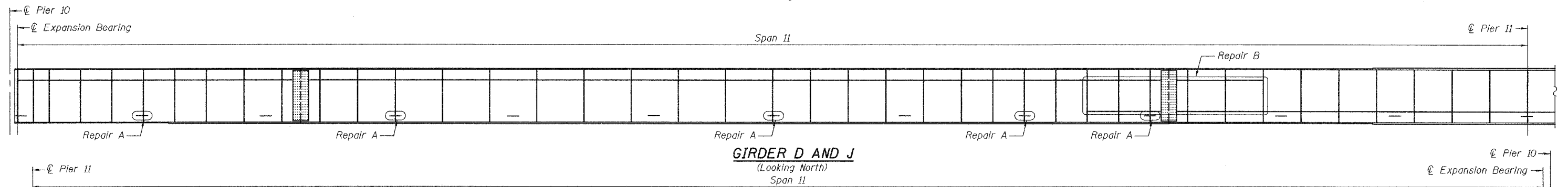
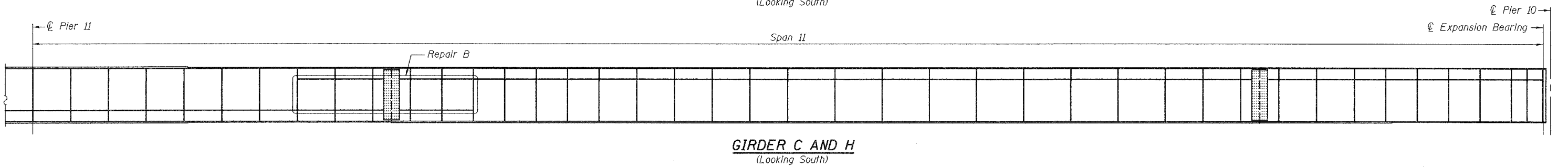
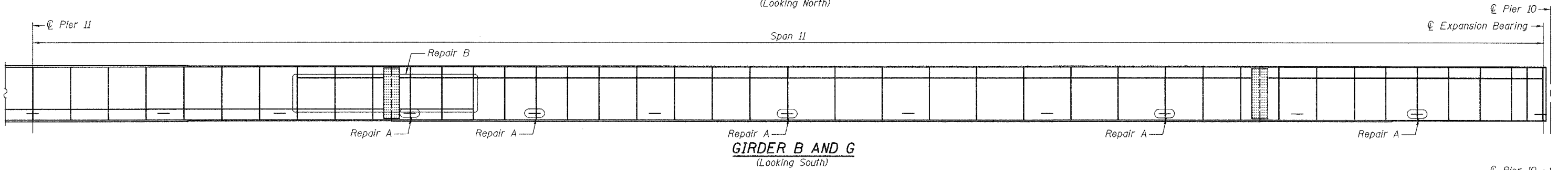
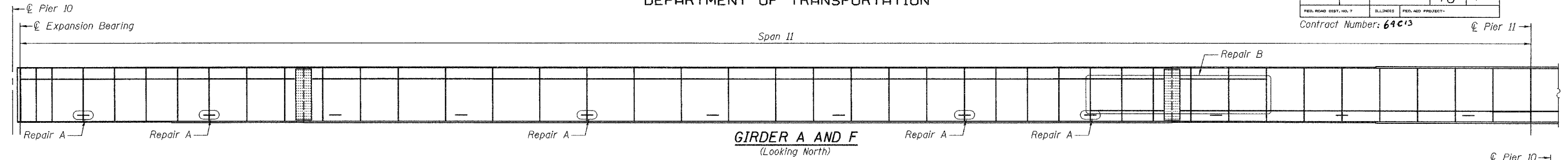


STATE OF ILLINOIS
DEPARTMENT OF TRANSPORTATION

ROUTE NO.	SECTION	COUNTY	TOTAL SHEETS	SHEET NO.	SHEET NO. 8 16 SHEETS
		Rock Island	18	10	
FED. ROAD DIST. NO. 7	ILLINOIS	FED. AID PROJECT	Contract Number: 64C13		



DESIGNED	A.T.H.
CHECKED	P.S.J.
DRAWN	Drew Christopher
CHECKED	A.T.H. P.S.J.

April 24, 2006
 EXAMINED *John A. Morris*
 ENGINEER OF STRUCTURAL SERVICES
 PASSED *Ralph E. Anderson*
 ENGINEER OF BRIDGES AND STRUCTURES

BEAM ELEVATIONS
 F.A.I. RT. 280 OVER
 MISSISSIPPI RIVER
 ROCK ISLAND COUNTY
 SN 081-0106