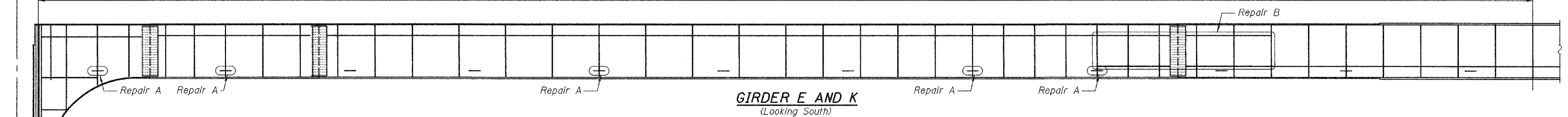
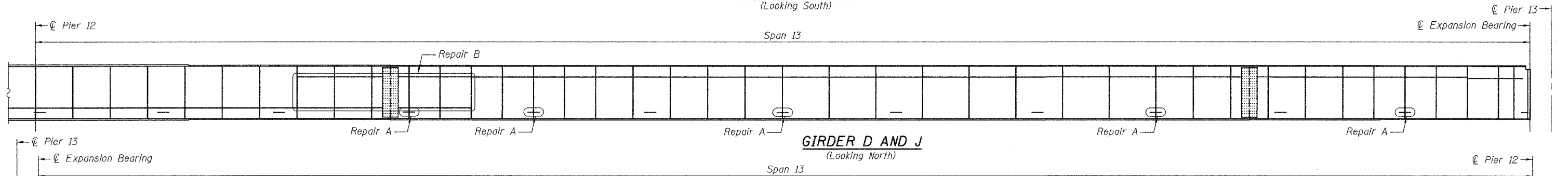
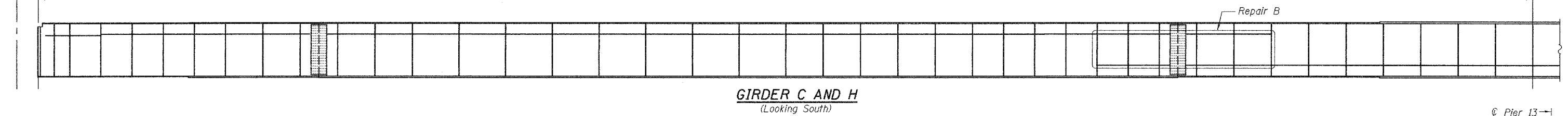
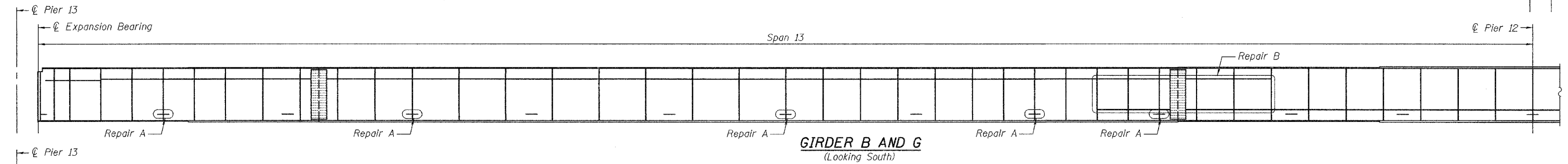
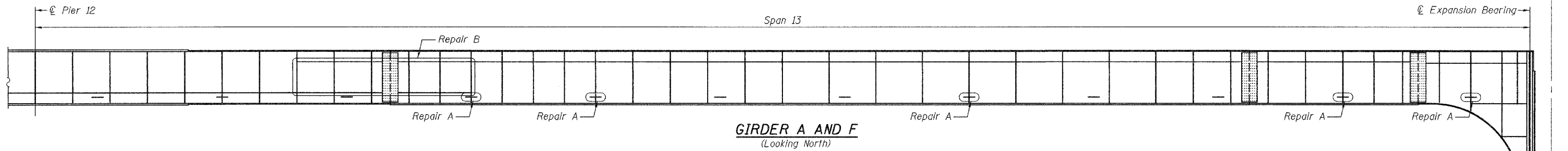


STATE OF ILLINOIS  
DEPARTMENT OF TRANSPORTATION

ROUTE NO.	SECTION	COUNTY	TOTAL SHEETS	SHEET NO.	SHEET NO. 10 16 SHEETS
		Rock Island	18	12	
FED. ROAD DIST. NO. 7	ILLINOIS	FED. AID PROJECT	Contract Number: 64C13		



DESIGNED	A.T.H.
CHECKED	P.S.J.
DRAWN	Drew Christopher
CHECKED	A.T.H. P.S.J.

April 24, 2006  
 EXAMINED *John A. Morris*  
 ENGINEER OF STRUCTURAL SERVICES  
 PASSED *Ralph E. Anderson*  
 ENGINEER OF BRIDGES AND STRUCTURES

**BEAM ELEVATIONS**  
**F.A.I. RT. 280 OVER**  
**MISSISSIPPI RIVER**  
**ROCK ISLAND COUNTY**  
**SN 081-0106**