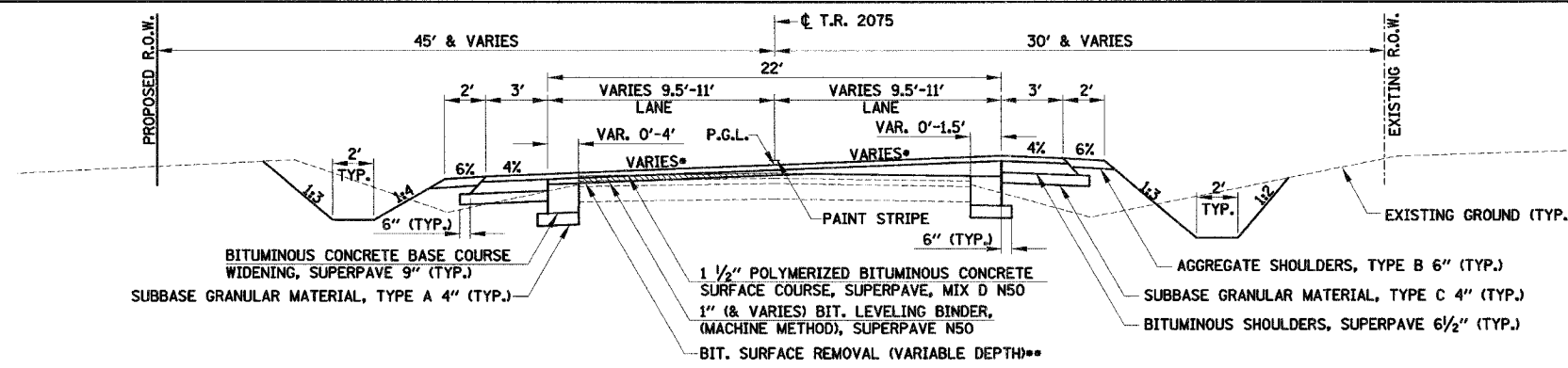
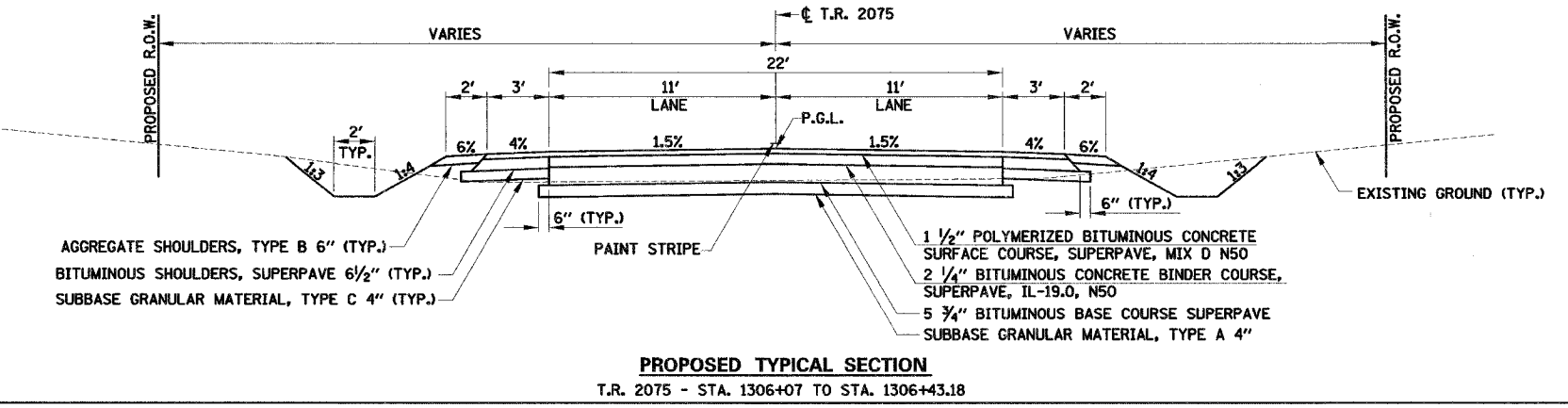
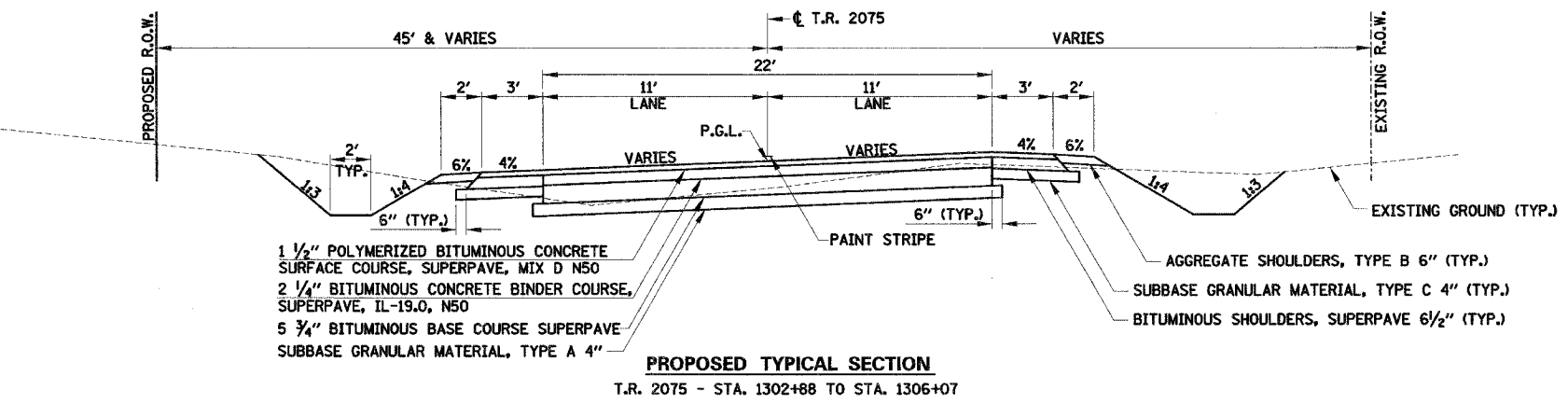
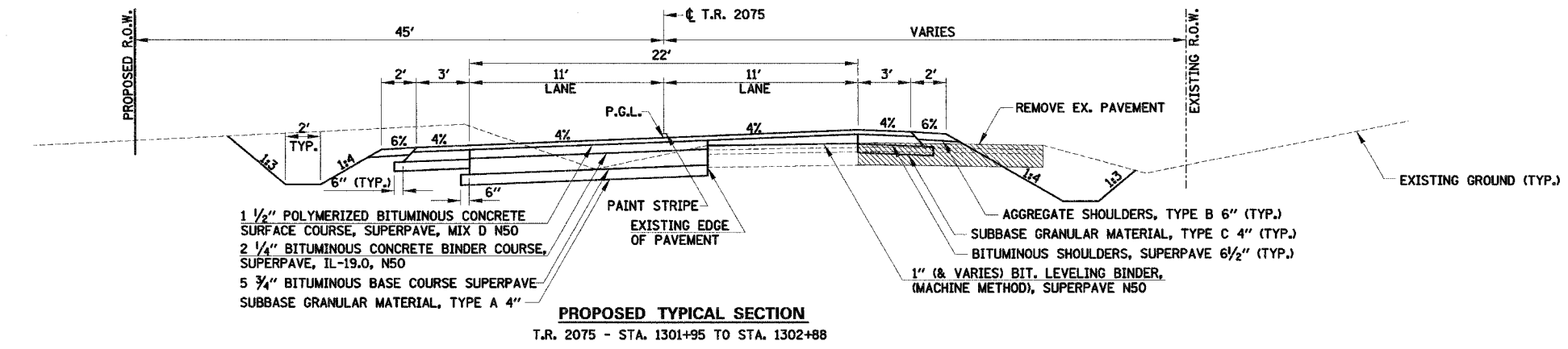


F.A.S. RTE. 1517	SECTION 2)RS-3 (3)RS-4	COUNTY MCLEAN	TOTAL SHEETS 223	SHEET NO. 10
STA. _____		TO STA. _____		
FED. ROAD DIST. NO. _____ ILLINOIS FED. AID PROJECT				

66383



- * NORMAL CROWN FROM STA. 1300+20 TO STA. 1300+47.
- ** MINIMUM LEVELING BINDER THICKNESS SHALL BE 1".



ILLINOIS DEPARTMENT OF TRANSPORTATION
F.A.S. 1517 (U.S. ROUTE 150)
PROPOSED TYPICAL SECTIONS

SCALE: VERT. _____
HORIZ. _____
DATE _____

DRAWN BY _____
CHECKED BY _____

PLAN
SURVEYED _____
NOTE BOOK _____
ALIGNED _____
CHECKED _____
DATE _____
FILE NAME _____

PROFILE
SURVEYED _____
GRADES CHECKED _____
NOTE BOOK _____
BLANK NOTED _____
PROCEDURE NOTATIONS CHECKED _____

COMPANY NAME: #COMPANY NAME#
PROJECT CONTACT: #PROJECT CONTACT#
CLIENT: #CLIENT#
DATE: #DATE#
SCALE: #SCALE#